

Aluforce Pro 100 HC

Single step, sit-sit height mechanically adjustable

| | |
|-----------------------|----------------------|
| Height (mm) | min 585 / max 960 |
| Stroke (mm) | 375 |
| Speed (mm/s) | 6 / crank turn |
| Width (mm) | min. 1100 / max 1700 |
| Depth of feet (mm) | 740 |
| Dynamic capacity (kg) | 60 |
| Noise dB(A) | - |
| Weight (kg) | 21 |

Legs and feet made of powder coated aluminium.
Top supports & crossbar made of powder coated steel.

Surface color

Silver



Purchase code

S4130T3048307XXEU

Accessories

Please see the accessories section to personalise your height adjustable frame.

Packing dimension single unit

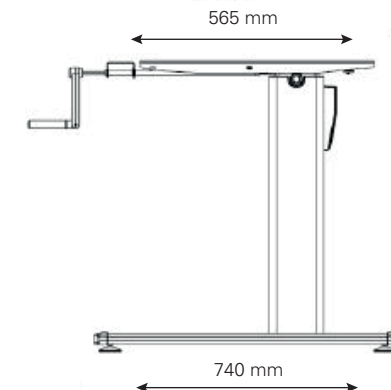
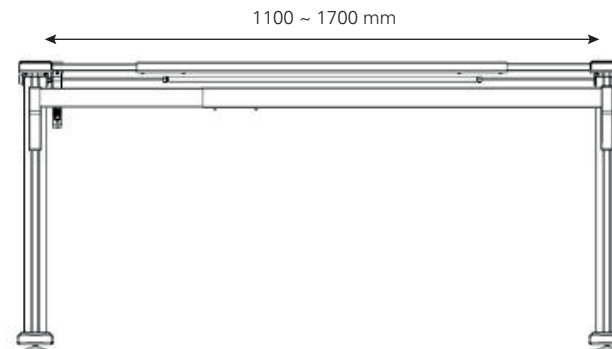
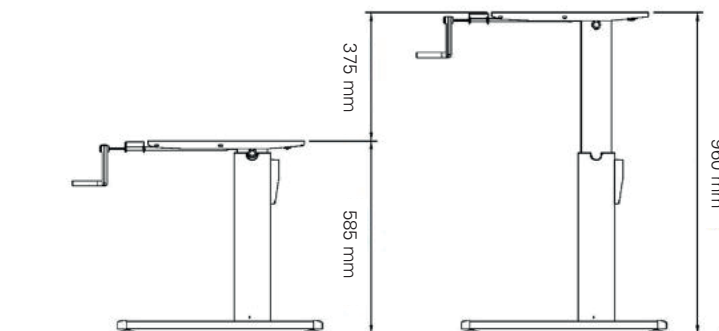
1110 x 280 x 190 (LxWxH - mm)

Packing dimension pallet (24 frames)

1140 x 1120 x 1200 (LxWxH - mm)



VISIONLIFT
INSIDE



actiforce