

Aluforce Pro 102 HC 120°

Single step, sit-stand height mechanically adjustable

Height (mm)	min. 680 / max. 1130
Stroke (mm)	450
Speed (mm/s)	4 / crank turn
Width main unit (mm)	min. 1230 / max. 1830
Width ancillary unit (mm)	min. 1230 / max. 1830
Depth of feet (mm)	660
Capacity (kg)	dynamic 60 / static 140
Noise dB(A)	-
Power	-
Plug type	-
Weight (kg)	30

Legs and feet made of powder coated aluminium.
Top supports & crossbars made of powder coated steel.

Surface color

Black	●
White	○
Silver	●

Packing dimension single unit

1180 x 350 x 190 (LxWxH - mm)

Packing dimension pallet (15 frames)

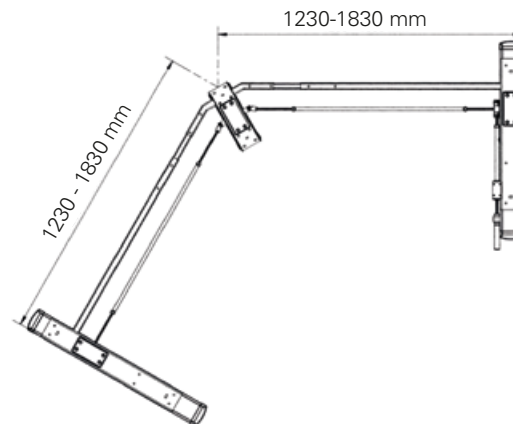
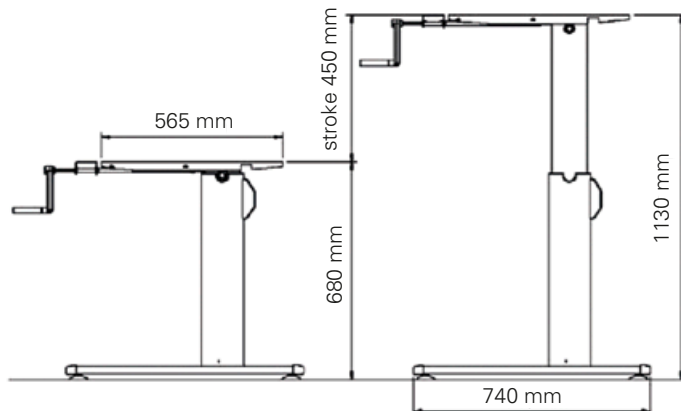
1140 x 1120 x 1070 (LxWxH - mm)

Accessories

For further information see the accessories section of this catalogue.



VISIONLIFT
INSIDE



actiforce