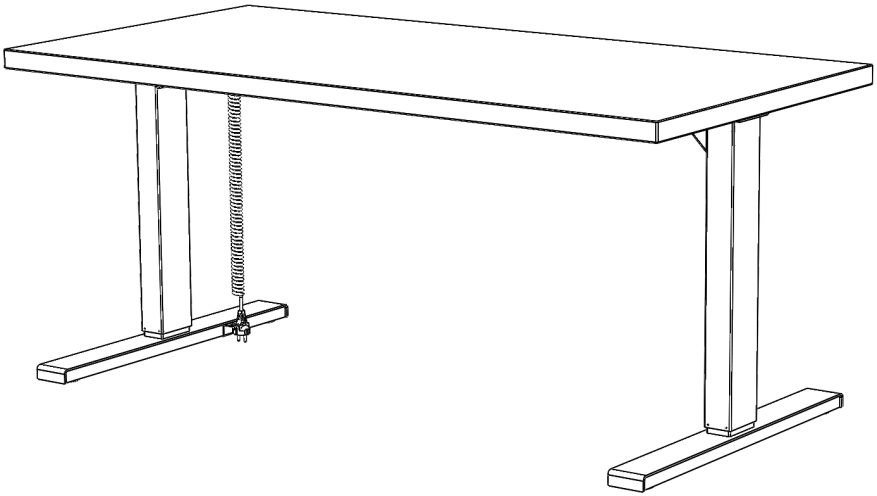




# Solid (570)

Assembly Manual / Betriebs- und Montageanleitung  
Montage handling  
English / Deutsch / Nederlands



ELE-SOL002-0EN-DE-NL

**EN** - Read this manual thoroughly and store in a safe place.

**DE** - Bitte sorgfältig lesen und sicher aufbewahren.

**NL** - Lees de handleiding aandachtig door en bewaar op een veilige plaats.

**actiforce**

# Content

## 1. General

1.1	Local value of the assembly/operating manual	5
1.2	Intended use	5
1.3	Improper use	5
1.4	Danger	5
1.5	Checking the content box	6

## 2. Safety information

2.1	Symbols/warnings	7
2.2	Maximum weight allowed on the table	7
2.3	Maximum weight allowed per column	8
2.4	Organizational measures	8
2.5	Informal safety measures	8
2.6	Note for those assembling the table	8
2.7	Transport and assembly	8
2.8	Use of the table	8
2.9	Specific dangers	9
2.10	In an emergency	9
2.11	Maintenance and upkeep	9
2.12	Cleaning	9
2.13	Persistent risks	9

## 3. Assembly

3.1	Checking the items supplied	10
3.2	Packaging	10
3.3	Tightening torques for screws used	10
3.4	Assembly of the table	11
3.4.1	Mounting the feet on column	11
3.4.2	Connect the motor cables	12
3.4.3	Mounting the column on the tabletop	13
3.4.4	Connecting the electrical components	14
3.4.5	Table test	15
3.4.6	Clearance around the tabletop	16
3.4.7	Screw points on tabletop	16

<b>4. Correct position of seat</b>	<b>17</b>
------------------------------------	-----------

<b>5. Technical specifications</b>	<b>18</b>
------------------------------------	-----------

<b>6. Operation and indicators</b>	<b>20</b>
------------------------------------	-----------

6.1	Indicators	20
-----	------------	----

**7. Recycling**

7.1	Taking the table out of active duty	21
7.2	Taking the table apart	21
7.3	Recycling	21

**8. Troubleshooting** 21**9. EU-declaration of conformity** 22**10. Customer service** 22**11. Manufacturer** 22



# 1. General

## 1.1 Importance of the assembly/operating manual

The guideline for safe use and trouble-free operation of this table is knowledge of basic safety information and regulations. This assembly/operating manual contains the most important information needed for assembling and operating the table safely. This assembly/operating manual, in particular the safety information contained herein, must be observed by any person building the table and working on the finished surface. More importantly, the rules and regulations applying to accident prevention in the locality in which the table is to be used must be observed at all times.

## 1.2 Intended use

The table must be used only as an electrically height-adjustable table for sitting/standing use in offices or other enclosed areas. The table must be used for this purpose only. Any other use than the above shall be deemed improper. Please observe the provisions of Section 2, Safety Information. Children may be unaware of the dangers presented by the table if unsupervised. The manufacturer can in no way be held liable for damage arising from improper use.

### **intended use shall also include:**

- Observation of all information from the assembly/operating manual;
- Prohibition of any sort of addition to/conversion of the table.

## 1.3 Intended use

- Never use the table to lift people or loads!
- Do not exceed the maximum load of the table (see Section 5, Technical Specifications).
- Only use the product for office purposes.

## 1.4 Danger

Improper connection of the table grounding conductor can result in a risk of electric shock. Check with a qualified electrician if you are in doubt as to whether the product is properly grounded. Do not modify the plug provided with the product. If the supply cord is damaged, it must be replaced by a special cord or assembly available from the manufacturer or its service agent. **WARNING:** Any changes or modifications not expressly approved by the manufacturer could void the user's authority to operate the equipment.

**1.5 Checking the content box**

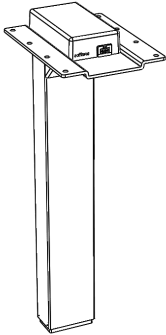
Assembly requires two people!

Tools

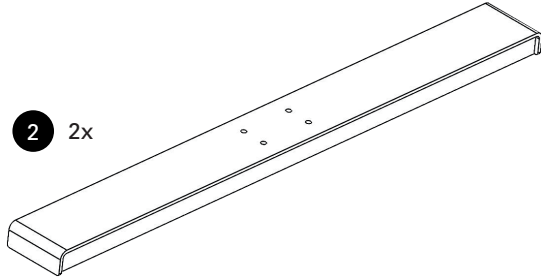


Items

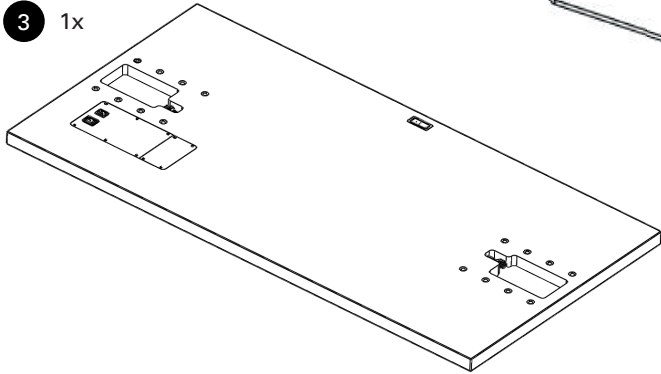
**1** 2x



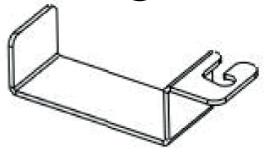
**2** 2x



**3** 1x



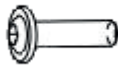
**8**



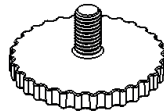
**4** 1x



**5** 16x



**6** 4x



**7** 8x



Dispose of the packaging material in an environmentally friendly manner.

## 2. Safety Information

### 2.1 Symbols/warnings

The assembly/operating manual uses the following terms and signs to indicate danger:



This symbol indicates an immediate threatening situation for any person's life or health. Failure to adhere to such information may have serious consequences for health, or could even result in lifethreatening injury or death.



This symbol indicates important information. Failure to adhere to such information could lead to damage to the table.



Reference to the obligation to read the operating manual.



Do not place objects or parts of the body under the table. This could cause serious injury or even result in death.

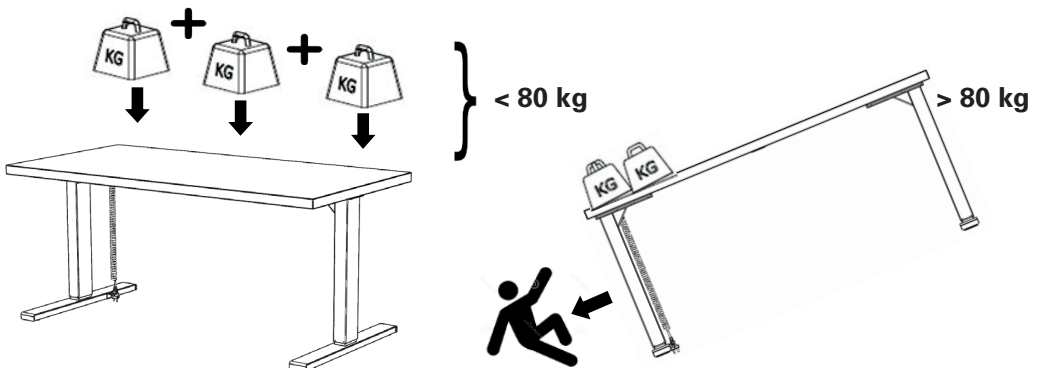
### 2.2 Maximum weight allowed on table



Do not exceed the maximum permitted load of 80 kg on the table. Avoid unbalanced load, distribute the weight evenly, otherwise overload may occur. Overloading a table may cause breakage and close by individuals may suffer serious injuries as a consequence.

#### **Example**

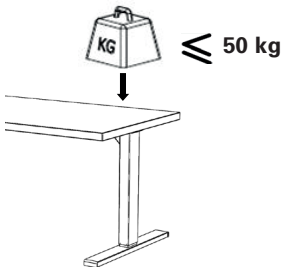
All weight should be distributed evenly.



### 2.3 Maximum weight allowed per column



Do not exceed the maximum permitted load of 50 kg on a column. Overloading a table may cause breakage and close by individuals may suffer serious injuries as a consequence.



### 2.4 Organizational measures

The table can best be assembled by two people. Turning the table, is a task in particular which requires two people!

### 2.5 Informal safety measures

- Keep the assembly/operating manual in the place where the table is used at all times.
- Make sure that all safety information on the table (see Section 2.2, Symbols used on the table, page 5) is legible, replacing the same if necessary.

### 2.6 Note for those assembling the table

- The table must be assembled/worked on by persons over the age of 16.
- The persons referred to above must have read and understood the assembly/operating manual.

### 2.7 Transport and assembly

- The table must be moved by two persons only, and in such cases must be retracted.
- Do not drag or pull the table over the floor.
- Assemble the table with the supplied tools only. They are the only tools which ensure that the screws can be tightened to the correct torque.

### 2.8 Use of the table

- Do not allow children to use the table unsupervised. Children may be unaware of the danger presented by the table. They would be in serious danger of injuring themselves, possibly even with fatal consequences.
- The table must only be used in appropriate areas (see Section 5, Technical Specifications).
- Do not use the table on an uneven surface. In such conditions it will not be steady.



### **2.9 Specific danger**

- When adjusting the height of the table there is danger of injury. Make sure that there is no one else in the immediate surroundings of the table.
- When assembling the table, make sure there is ample space to avoid collision (i.e. inclination of roof, fixed objects, filing cabinets, waste-paper bins etc.) in all imaginable directions.
- Make sure there is ample space to avoid collision if there are objects on the work surface such as computers or computer peripherals.
- Make sure there is clearance of at least 25mm from all other furniture, all around the table.

### **2.10 In an emergency**

- Have the table repaired by specialists. Refrain from using the table until it has been successfully repaired.
- Stop using the table at once if you notice anything unusual (strange sounds, smoke, etc.).

### **2.11 Maintenance and upkeep**

- Do not perform any repairs on the work station table or other components yourself.
- Do not alter the construction of the work surface or its frame.
- Any faulty components removed must be replaced with new, original components from the manufacturer. Use only original replacement parts made by the manufacturer. Have any such work carried out by a specialist, making reference to this assembly/operating manual.

### **2.12 Cleaning**

- Dust the table once a week with a dry cloth.
- Clean the table with a damp cloth and a weak solution of cleaner once a fortnight.

### **2.13 Persistent risks**

This table has been built to the state of the art and to recognized safety regulations. Nonetheless, its use may constitute a risk to the health and safety of users or third parties, damage to the table or to other items. The table must be used only:

- for the purpose for which it was intended.
- if it is completely safe to do so.

## **3. Assembly**

### **3.1 Checking the items supplied**

- Carefully open the cardboard packaging.
- In doing so, do not use any long knife blades. They may damage the components inside.
- Check the parts supplied in section 1.5.
- Do not attempt to assemble the table if there is any damage or if there are any incorrect components.

### **3.2 Packaging**

- Remove the packaging. Treat as household waste/paper.
- Observe national legislation.

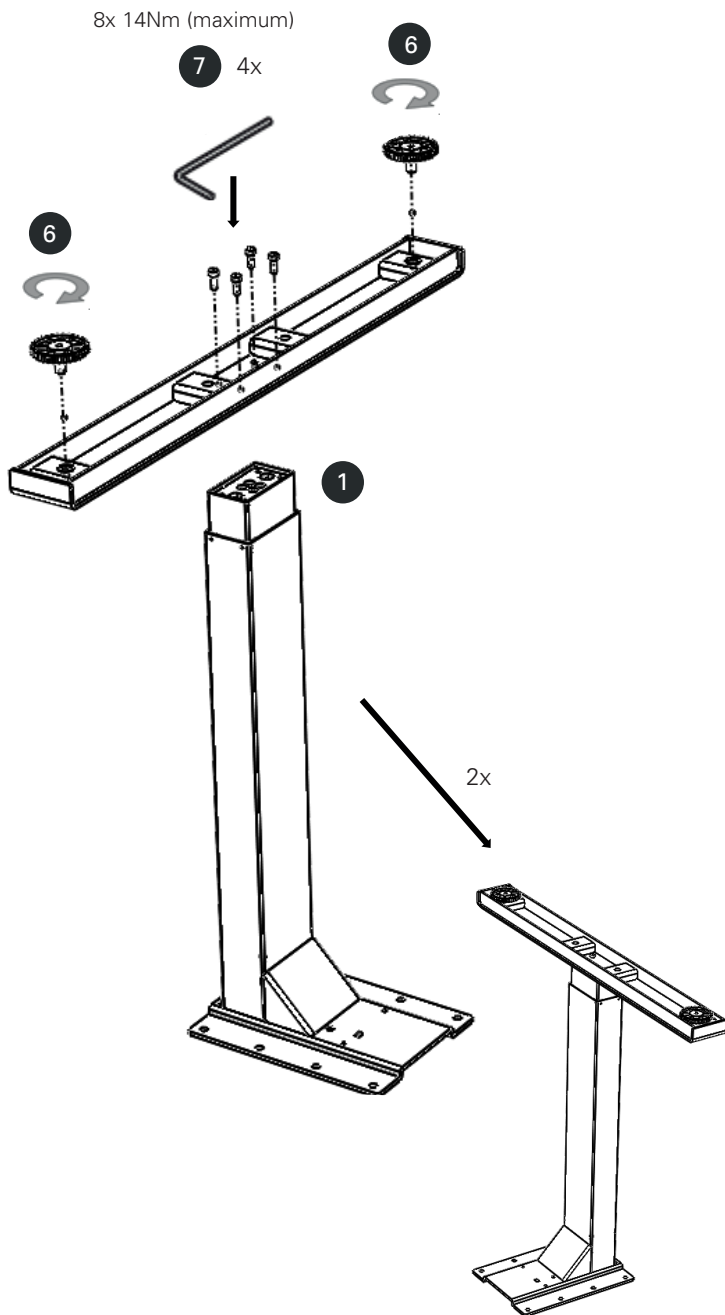
### **3.3 Tightening torques for screws used**

- Assemble the table with the tools supplied only.

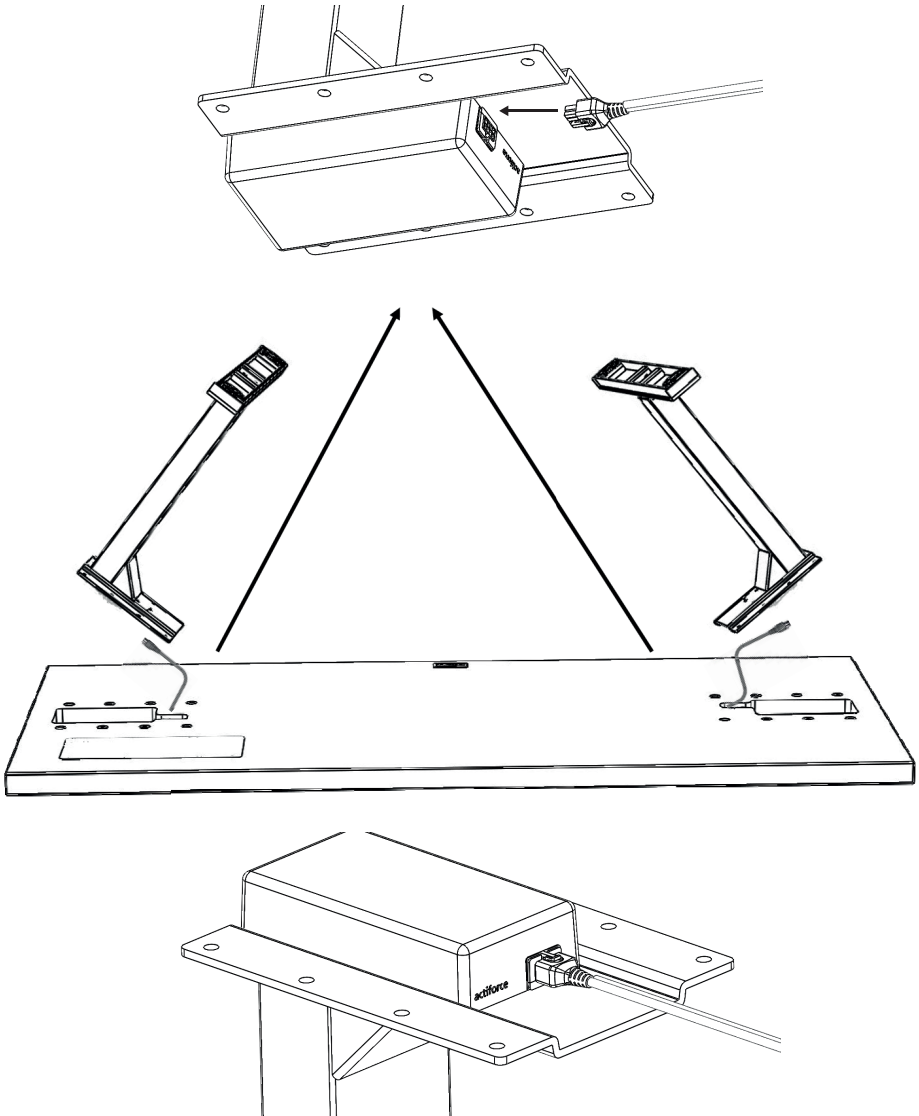


Before attempting assembly, read the safety information in Section 2.

### 3.4.1 Mounting the feet onto the column



**3.4.2 Connecting the motor cables**

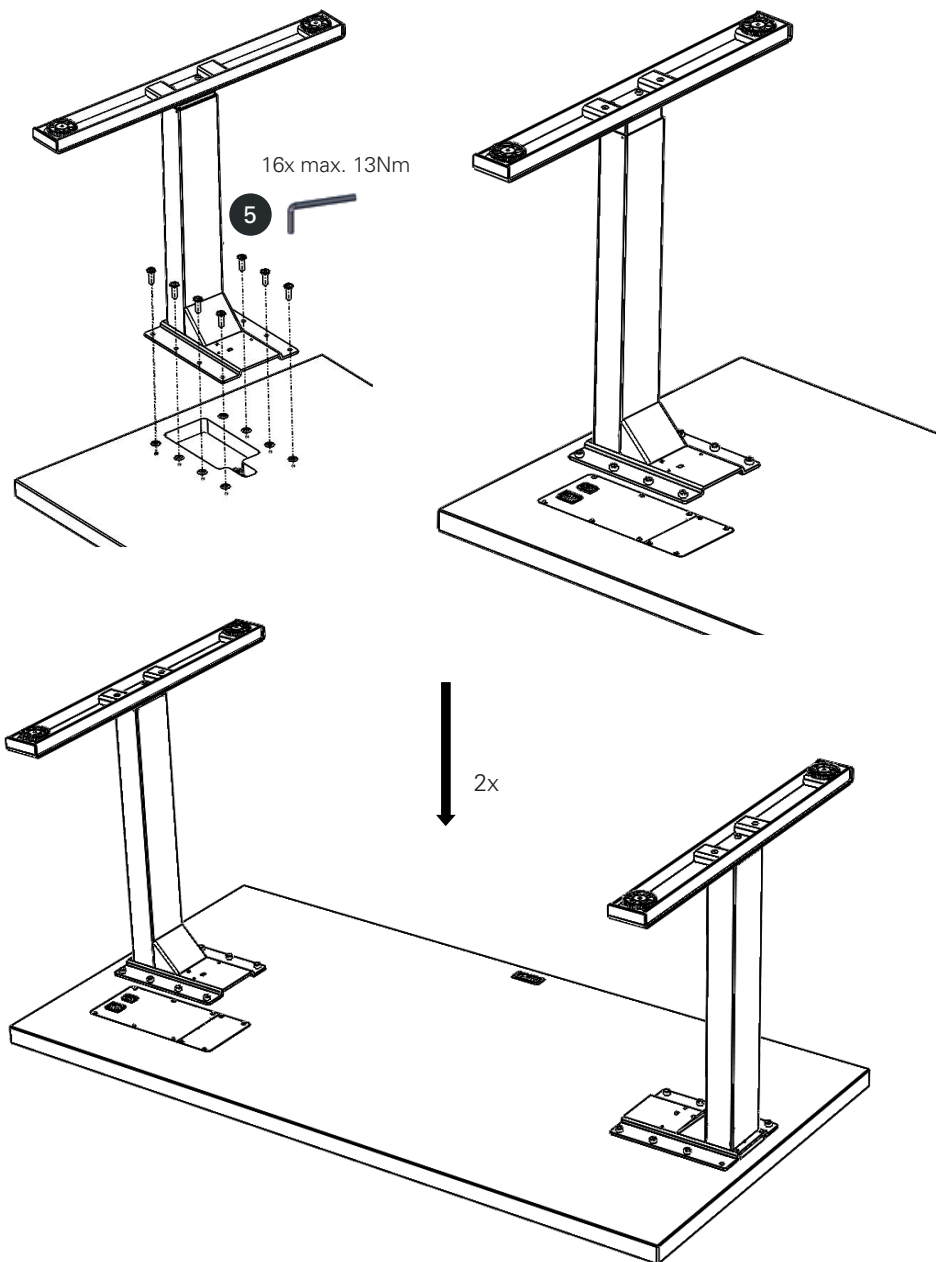


Make sure the plug is firmly inserted into the plug socket.

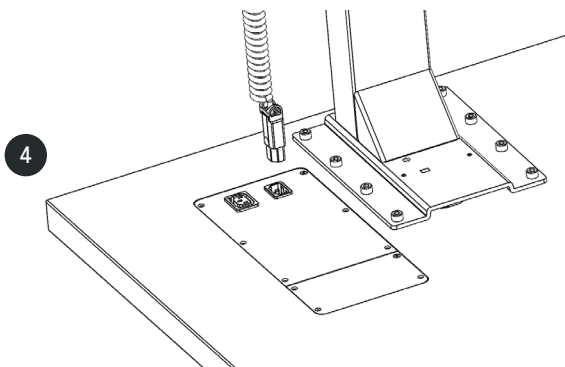


Do not pull the connectors further out of the tabletop.

### 3.4.3 Mounting the column onto tabletop



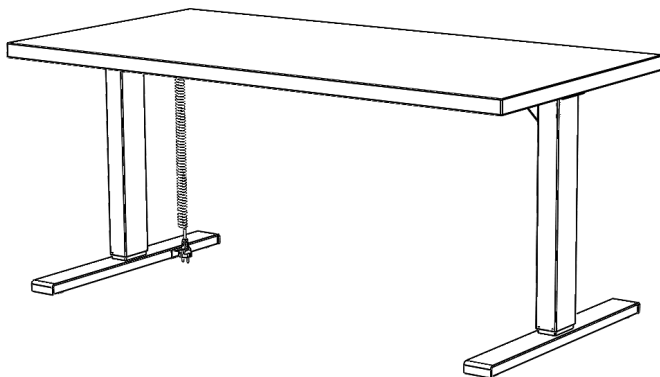
### 3.4.4 Connecting the electrical components



Keep in mind that the table which you are assembling is height adjustable. The cables of the electrical components must be able to freely follow the movement of the table.



Initial start on next page.



In order to maintain the elasticity of the spiral cord over long time, it is recommended to adjust the table into its lowest position when the workstation will not be in use for any length of time



Do not open the covers from the tabletop. There is danger of an electric shock.

### 3.4.5 Table test



Please make sure that the table can move freely and correct at all times



In case you need to disconnect cables from the electrical components always be sure to disconnect power first.



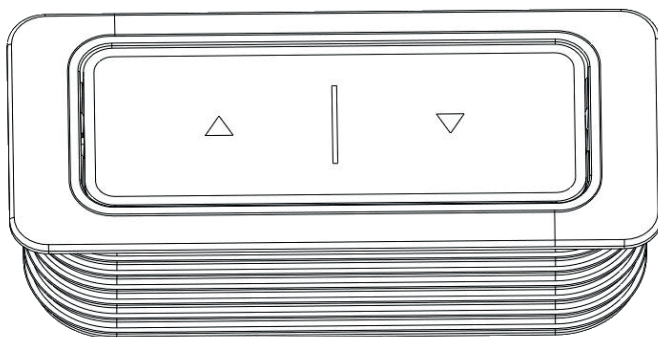
In case the height adjustment is not operating normally stop using the table immediately and disconnect the power. Get in contact with customer service for further advise (see Section 10).

**Left button**

**Up**

**Right button**

**Down**

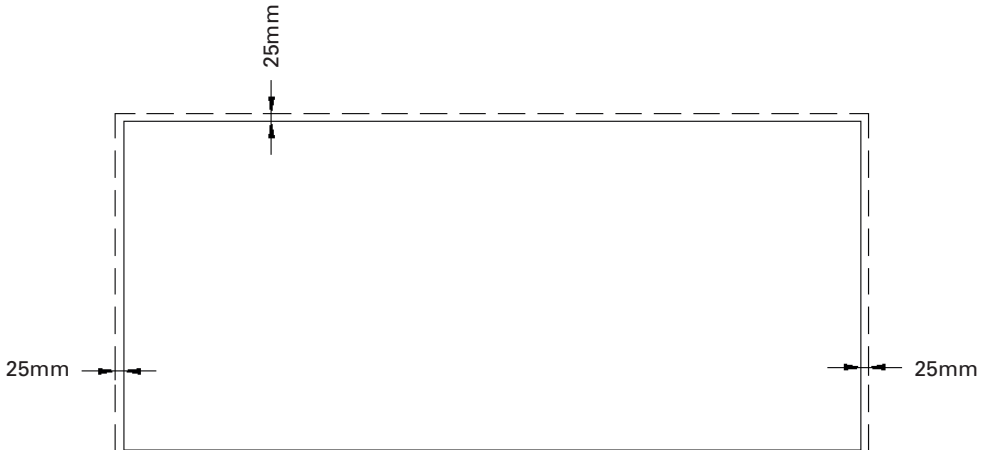






### Reset mode

The first time you put in the plug of the power supply into the socket the height adjustment can only be operated in the reset-mode. As long as the reset-mode is enabled, the system can only move downward. In order to use the system normally, please follow the next steps:

- Press and hold the down-button, the system slowly moves downward.
- Please move the system to the lowest position. This position will be used as reference-point (zero-point).
- Keep the button pressed for a moment when the system has reached the lowest position. This will end the reset-mode.
- The system can be operated normally now. Press and hold the up- or down-button to move the system to the desired height. The system stops when you release the buttons.

### 3.4.6 Clearance around the tabletop



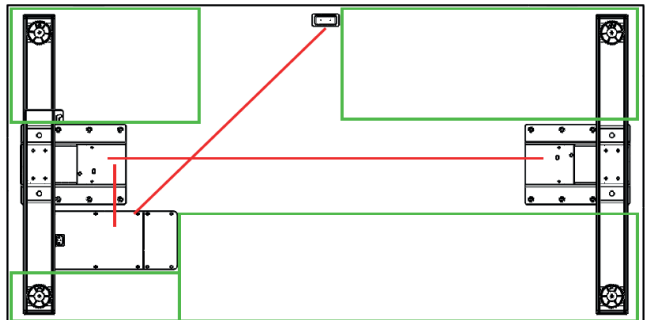
-  Allow a minimum clearance of 25mm from the edge of a table top to a wall or moving parts.
-  When changing the tabletop position (especially without using pinch protection), there is a risk of pinching. You must therefore ensure that no people or objects are located in the hazardous area or can reach into it.
-  To attach accessories under the table top, use only the green marked area. Don't screw any screw on the top Surface of the table top.
-  Only use screws that are screwed into the material with a maximum length of 10 mm.

### 3.4.7 Screw points on the tabletop



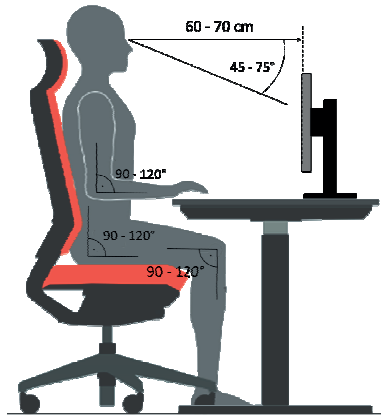
— Cable position

 Free mounting surface





## 4. Correct position of seat



### Correct sitting posture

Sitting incorrectly can lead to injuries at joints, bowstrings and muscles. In order to prevent this it is necessary to adjust your office chair and table. Apart from the following advise you should always prevent an uncomfortable sitting posture. If you feel that the following advices leads you to an uncomfortable sitting posture simply adapt your needs.

### Office Chair

- The sitting height has to be adjusted in way that your knee is angled by 90-120° when your foot is flat on the ground.
- Sitting properly requires that your lower back touches the back rest. If possible align the seating depth in order to avoid pressure from the seat pan to your lower leg.
- Sit upright but lean back in a relaxed position. If possible adjust the lumbar support of your chair to your height. Adjust the back rest in a way that pushes your upper body slightly forward but still offering enough flexibility to yield movement.
- If possible adjust the height of your armrests. Your shoulders should be in a relaxed position when your arms are touching the arm rest.

### Table

- Adjust the table height after you have found your correct sitting posture.
- Your elbows should be angled by 90-120° when your arms rest on the tabletop. The edge of the top should not press against your arms.

### Equipment on the table

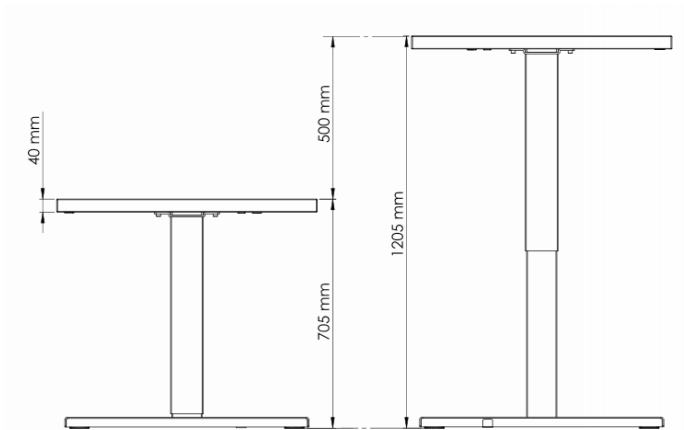
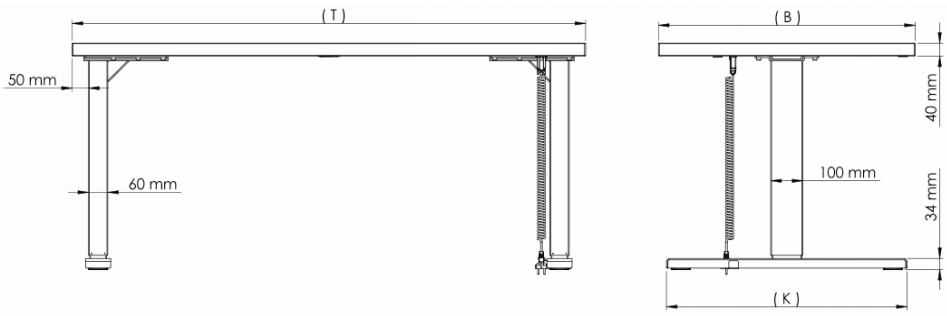
- Incident light (day light or lamps) on your monitor should approach the surface of your screen by an angle of 90°.
- The height of your monitor should be adjusted in way that enables you to look slightly downward while focusing the centre of your screen.
- Please keep a distance of 60-70 cm from your screen
- A careful posture for your wrists can be achieved by a flat narrowed keyboard.
- Please heed the advice in the manuals of your further (ergonomical) equipment.

## 5. Technical specification

Assembly Manual version	ELE-SOL002-0EN-DE-NL
Release date	January 2019
Country of origin of the leg unit and foot	Malaysia
Country of origin of the tabletop	Germany
System	1-step
Material	Steel, aluminium, plastic, wood based materials
Stroke (max.)	500 mm
Load (max.)	80 kg
Weight	± 43 kg
Speed load	± 39 mm/s
Input power	230V / 50Hz / max. 8A
Duty cycle	30s on / 3 Minutes off
Durability	10.000 Cycles (average use)
Noise level	< 55 dB(A)
Permissible environment temperature	15 - 30 °C
Permissible environment temperature storage	10 - 50 °C
Permissible air humidity	<85%
Permissible air humidity storage	<50%
Maximum stockholding time	-
Standby power, primary (typical)	0,1W
Indoor use only.	

**5. Technical Specification**

(\*General Tolerance = ± 1 cm)



Minimum Height 705 mm  
 Maximum Height 1205 mm  
 Maximum Stroke 500 mm

Tabletop Width (T) 1380 / 1600 / 1800 / 2000 mm  
 Top Depth (B) 670 / 800 / 800 / 800 mm  
 Foot Depth (K) 550 / 750 / 750 / 750 mm

Maximum Load 80 kg

## 6. Operation and Indicators

### **Observe the provisions of Section 2, Safety Information, on page 5—7, in particular:**

Do not leave children unsupervised with the table. Children may be unaware of the dangers presented by the table. They would be in serious danger of injuring themselves, possibly even with fatal consequences. Please make sure that further adjustment is impossible when the table is still used by children.

Do not exceed the maximum time lag of the table.

Make sure there is ample space to avoid collisions if there are objects on the work surface such as computers or computer peripherals.

### **6.1 Indicators**

Leave the immediate surroundings of the table at once if it starts to move spontaneously. Under no circumstances attempt to operate the table. Have the table repaired by specialists. Refrain from using the table until it has been successfully repaired.

Stop using the table at once if you notice anything unusual (strange sounds, smoke, etc.). Have the table repaired by specialists. Refrain from using the table until it has been successfully repaired.

Stop using the table at once if its safety features fail to work as they should.



Only clean the table with a dry or slightly moist cloth. Before cleaning, you must always unplug the power cord.



Unplug the power cord during a thunderstorm or if you do not intend to use the table for a longer period. The control unit might otherwise be damaged by power surges.

## 7. Recycling

### 7.1 Taking the table out of active duty

- Pull the power plug out of the electricity socket.

### 7.2 Taking the table apart

- In case of de-assembling please follow the manual backwards or contact customer service.

### 7.3 Recycling

- Please split all parts to their type of material. Keep notice of National restrictions!

## 8. Troubleshooting

Problem	Possible cause	Solution
Height adjustment does not work.	Cables or connectors defective.	Check cables for damages and if necessary replace them. Power in order?
Height adjustment does not work.	If cables and connectors have been checked a possible cause could be a defective up-down switch.	Replace up-down switch
Height adjustment does not work.	Error in power supply.	Initialize reboot.

**If your problem couldn't be solved or is not listed here, please contact your customer service for further advise.**

## 9. EU-Declaration of Conformity in annex II A

We herewith confirm that the appliance as detailed below complies with the governing EU-directives (in particular with those directives mentioned below) and bulk production will be manufactured accordingly.

**Article description:**

Elements Solid (570)

**Article number:**

EL-CTF-ATX-XXXXXX-XXX-EXX1-EU-XXXXX

**Model**

Spindle Lift System

**Technical data:**

width: 1380 - 2000 mm

height: 705 - 1205 mm

depth: 670 - 800 mm

Material: Steel, aluminium, plastic and wood based materials

max. load: 80 kg

**Harmonised EN-Standards and general standards. The article complies with the standards as mentioned below:**

DIN EN 527-1:2011

DIN EN 527-2:2017

EK5/AK3 13-01:2014

DIN EN 61000-6-2/3

DIN EN 61000-3-2/3

DIN EN 60335-1

DIN FB 147

DIN EN 12100

DIN EN 60204-1

## 10. Customer service

**Make sure you have the manual at hand when contacting the customer service.**

**Importer / distributor**

**Actiforce Europe GmbH**

Rudolf-Diesel-Straße 29-31  
31582 Nienburg, Germany

T: +49 5021 88 7750

E: [contact@actiforce.de](mailto:contact@actiforce.de)

W: [www.actiforce.com](http://www.actiforce.com)

**Actiforce Western Europe**

Het Steenland 20  
3751 LA  
Bunschoten-Spakenburg,  
The Netherlands

T: +31 33 460 01 20

E: [info.holland@actiforce.com](mailto:info.holland@actiforce.com)

**Actiforce Nordics**

Nyvej 14  
4262 Sandved, Denmark

M: +45 225 388 99

E: [mw@actiforce.com](mailto:mw@actiforce.com)

**Actiforce Asia**

3, Jalan Delima Jati Pusat  
Perniagaan Delima Jati  
14100 Simpang Ampat  
Penang, Malaysia

T: +60 450 416 21

M: +60 450 416 23

E: [mw@actiforce.com](mailto:mw@actiforce.com)

## 11. Manufacturer

**Manufacturer:**

Actiforce International BV  
Het Steenland 20  
3751 LA Bunschoten-Spakenburg, The Netherlands

T: +31 (0)33 4600120

E: [info.holland@actiforce.com](mailto:info.holland@actiforce.com)

W: [www.actiforce.com](http://www.actiforce.com)



# Inhaltsverzeichnis

## 1. Allgemeines

1.1	Stellenwert der Betriebs- und Montageanleitung	26
1.2	Sachgemäße Verwendung	26
1.3	Sachwidrige Verwendung	26
1.4	Gefahr	26
1.5	Überprüfen des Lieferumfangs	27

## 2. Sicherheitshinweise

2.1	Symbol- und Hinweiserklärungen	28
2.2	Zulässiges Gesamtgewicht pro Säule	28
2.3	Organisatorische Maßnahmen	29
2.4	Empfohlene Sicherheitsmaßnahmen	29
2.5	Hinweise zur Montage	29
2.6	Transport und Montage	29
2.7	Benutzung des Tischgestells	29
2.8	Besondere Gefahrenstellen	29
2.9	Hinweise für den Notfall	30
2.10	Wartung und Instandhaltung	30
2.11	Reinigung	30
2.12	Restrisiken	30

## 3. Montage

3.1	Überprüfen des Lieferumfangs	31
3.2	Verpackung	31
3.3	Hinweise zum Verschrauben der Beschläge	31
3.4	Montage des Tischgestells	32
3.4.1	Montage der Kufen an die Säule	32
3.4.2	Anschließen der Motorkabel	33
3.4.3	Montage der Säulen an die Tischplatte	34
3.4.4	Anschluss der elektrischen Komponenten	35
3.4.5	Testlauf	36
3.4.6	Freiraum um die Tischplatte	37
3.4.7	Schraubpunkte an der Tischplatte	37

## 4. Richtige Sitzhaltung 38

## 5. Technische Daten 39

## 6. Betriebshinweise 41

6.1	Fehlfunktionen	41
-----	----------------	----



**7. Entsorgung**

7.1	Tischgestell außer Betrieb nehmen	42
7.2	Tischgestell demontieren	42
7.3	Entsorgung	42

**8. Fehlerbehebung** 42**9. EG-Konformitätserklärung** 43**10. Kundendienst** 43**11. Hersteller** 43

## **1. Allgemeines**

### **1.1 Bedeutsamkeit der Betriebs- und Montageanleitung**

Grundvoraussetzung für den sicherheitsgerechten Umgang und den störungsfreien Betrieb dieses Tischgestells ist die Kenntnis der grundlegenden Sicherheitshinweise und der Vorschriften. Diese Betriebs- und Montageanleitung enthält die wichtigsten Hinweise, um das Tischgestell sicherheitsgerecht zu montieren und zu bedienen. Diese Betriebs- und Montageanleitung, insbesondere die Sicherheitshinweise, sind von allen Personen zu beachten, die das Gestell aufbauen und an dem fertigen Tisch arbeiten. Darüber hinaus sind die für den Einsatzort geltenden Regeln und Vorschriften zur Unfallverhütung zu beachten.

### **1.2 Sachgemäße Verwendung**

Das vorliegende Gestell dient ausschließlich der Verwendung als elektromotorisch höhenverstellbarer Sitz-/Steharbeitsplatz in geschlossenen Räumen. Das Gestell ist somit auch nur für diesen Verwendungszweck bestimmt. Eine andere oder darüber hinausgehende Benutzung gilt als nicht bestimmungsgemäß. Beachten Sie hierzu unbedingt das Kapitel 2 "Sicherheitshinweise". Kinder können die vom Tischgestell ausgehenden Gefahren nicht einschätzen, wenn sie sich unbeaufsichtigt in der Nähe des Tisches aufhalten. Für hieraus entstehende Schäden haftet der Hersteller nicht.

#### **Zur bestimmungsgemäßen Verwendung gehört auch:**

- Das Beachten aller Hinweise aus der Betriebs- und Montageanleitung und das Verbot von jeglichen An- und Umbauten am Tisch.

### **1.3 Sachwidrige Verwendung**

- Verwenden Sie das Tischgestell niemals zum Heben von Personen oder Lasten!
- Belasten Sie das Tischgestell nur bis zur maximalen Last (siehe Kapitel 5 „Technische Daten“).
- Verwenden Sie das Tischgestell nur in gewerblichen Räumen.

### **1.4 Gefahr**

Ein falscher Anschluss des Erdungsleiters des Tischgestells kann einen Stromschlag zur Folge haben. Fragen Sie im Zweifelsfall einen qualifizierten Elektriker, ob das Produkt richtig geerdet ist. Nehmen Sie an dem mit dem Produkt gelieferten Stecker keine Veränderung vor. Sollte das Kabel beschädigt sein, muss es durch ein neues Kabel ersetzt werden, welches beim Hersteller oder dessen Servicevertretung erhältlich ist.

## 1.5 Überprüfen des Lieferumfangs

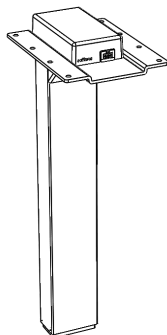
Montage mit 2 Personen

### Werkzeug

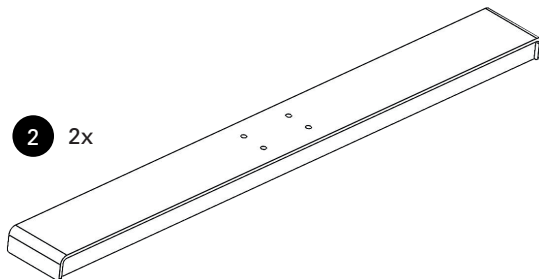


### Bauteile

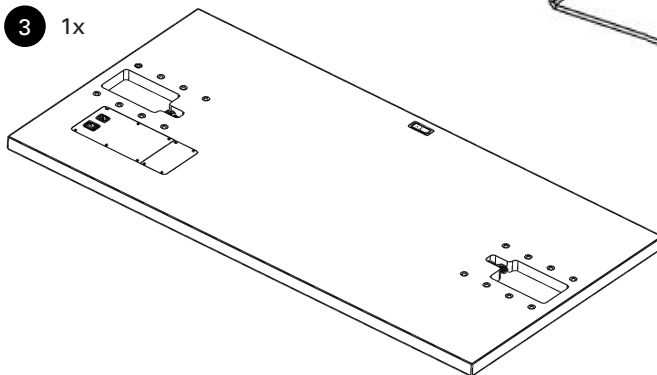
1 2x



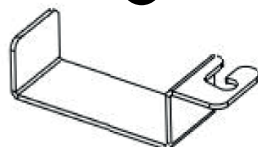
2 2x



3 1x



8



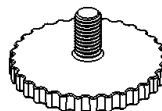
4 1x



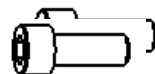
5 16x



6 4x



7 8x



Entsorgen Sie das Verpackungsmaterial umweltgerecht

## 2. Sicherheitshinweise

### 2.1 Symbol- und Hinweiserklärungen

In der Betriebs- und Montageanleitung werden folgende Hinweise und Symbole für Gefährdungen verwendet:



Dieses Symbol weist auf eine unmittelbar drohende Gefahr für das Leben und die Gesundheit von Personen hin. Das Nichtbeachten dieser Hinweise kann schwere gesundheitsschädliche Auswirkungen zum Beispiel lebensgefährliche Verletzungen bis hin zur Todesfolge haben.



Dieses Symbol deutet auf einen wichtigen Hinweis hin. Das Nichtbeachten kann zu Schäden am Gestell führen.



Hinweis auf die Verpflichtung zum Lesen der Betriebsanleitung.



Bringen Sie keine Gegenstände oder Körperteile unter das Tischgestell. Eine Nichtbeachtung kann zu schweren Verletzungen oder zum Tod führen.

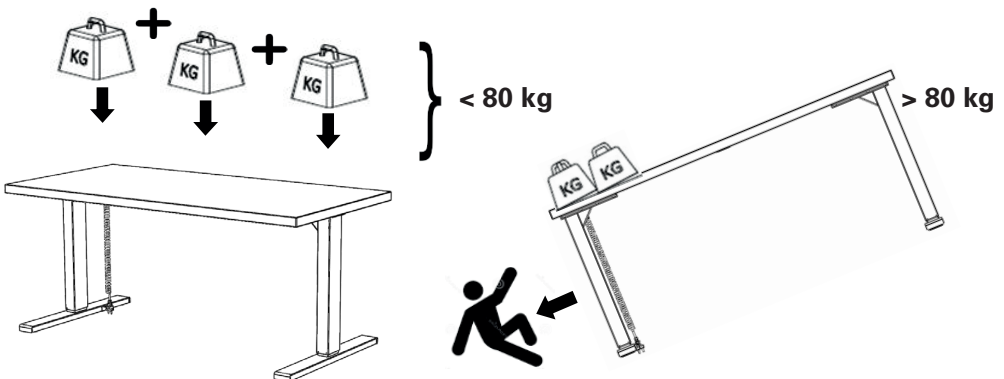
### 2.2 Zulässiges Gesamtgewicht auf dem Tischgestell



Belasten Sie das Tischgestell nur mit der maximal zulässigen Last von 80 kg. Vermeiden Sie einseitige Beladungen, verteilen Sie das Gewicht soweit wie möglich gleichmäßig. Eine Überlastung kann zum Zusammenbruch des Gestells führen und bei nah stehenden Personen schwere Verletzungen verursachen.

#### Beispiel

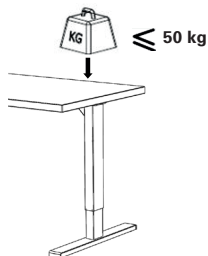
Das gesamte Gewicht sollte gleichmäßig verteilt werden.



### 2.3 Zulässiges Gesamtgewicht pro Säule



Belasten Sie eine einzelne Säule mit nicht mehr als der maximal zulässigen Last von 50kg. Eine Überlastung kann zum Zusammenbruch des Gestells führen und bei nahestehenden Personen schwere Verletzungen verursachen.



### 2.4 Organisatorische Maßnahmen

Montieren Sie das Tischgestell am besten mit zwei Personen. Speziell das Umdrehen des Gestells mit montierter Tischplatte muss mit zwei Personen erfolgen.

### 2.5 Empfohlene Sicherheitsmaßnahmen

- Bewahren Sie die Betriebs- und Montageanleitung ständig in der Nähe des Einsatzortes des Tischgestells auf.
- Halten Sie alle Sicherheits- und Gefahrenhinweise an dem Tisch (siehe Kapitel 2.2 „Symbol am Tischgestell“) in lesbarem Zustand und aktualisieren Sie diese gegebenenfalls.

### 2.6 Hinweise zur Montage

- Aufbau des Tischgestells oder Arbeiten am Tischgestell darf nur durch Personen mit einem Alter ab 16 Jahren erfolgen.
- Die Monteure müssen die Betriebs- und Montageanleitung gelesen und verstanden haben.

### 2.7 Transport und Montage

- Bewegen Sie das Tischgestell nur mit zwei Personen und in niedrigster Tischhöhe.
- Kippen oder ziehen Sie das Tischgestell nicht mit den Kufen über den Boden entlang.
- Montieren Sie das Tischgestell nur mit dem beigegeführten Werkzeug. Nur so ist sicher gestellt, dass die Schrauben einwandfrei angezogen werden.

### 2.8 Benutzung des Tischgestells

- Lassen Sie Kinder nicht unbeaufsichtigt an das Tischgestell. Kinder können die Gefahren des Tischgestells nicht einschätzen. Es besteht die Gefahr von schweren Verletzungen mit Todesfolge.
- Benutzen Sie das Tischgestell nur in der dafür vorgesehenen Umgebung (siehe Kapitel 5 „Technische Daten“).
- Benutzen Sie das Tischgestell nicht auf einem unebenen Untergrund. Es besteht die Gefahr des Umklippens.
- Belasten Sie das Tischgestell nicht über das zulässige Gewicht, beachten Sie die maximal zulässige Flächenlast (siehe Kapitel 5 „Technische Daten“).

## **2.9 Besondere Gefahrenstellen**

- Achten Sie bei der Verstellung des Tischgestells darauf, dass sich keine Personen in der Nähe des Tischgestells aufhalten. Es besteht Verletzungsgefahr.
- Achten Sie bei der Aufstellung des Tischgestells auf vollständige Kollisionsfreiheit (z. B. Dachschräge, bauliche Gegebenheiten, Rollcontainer, Papierkorb, usw.) in allen möglichen Verstellpositionen.
- Achten Sie auch auf Kollisionsfreiheit, wenn sich Gegenstände- z. B. EDV-Geräte – auf dem Tisch befinden.
- Halten Sie einen seitlichen Sicherheitsabstand vom mindestens 25 mm zu jedem anderen Möbelstück ein

## **2.10 Hinweise für den Notfall**

- Lassen Sie das Tischgestell durch einen Fachbetrieb reparieren. Nehmen Sie das Tischgestell erst wieder nach erfolgter Reparatur in Betrieb.
- Nehmen Sie das Tischgestell sofort außer Betrieb, wenn ungewöhnliche Vorkommnisse (Geräusche, Qualm, Rauch, usw.) am Tischgestell entstehen sollten.

## **2.11 Wartung und Instandhaltung**

- Führen Sie keine Reparaturen am Tisch oder den Komponenten selbst durch.
- Nehmen Sie keine baulichen Veränderungen am Tisch vor.
- Tauschen Sie defekte Komponenten des Tischgestells nur gegen neue Originalteile des Herstellers aus. Verwenden Sie bitte ausschließlich Originalersatzteile des Herstellers. Beachten Sie dabei diese Montageanleitung.

## **2.12 Reinigung**

- Stauben Sie das Tischgestell mit einem trockenen Lappen einmal pro Woche ab.
- Reinigen Sie das Tischgestell mit einem feuchten Tuch und mildem Reinigungsmittel alle 2 Wochen.

## **2.13 Restrisiken**

Das Tischgestell ist nach dem Stand der Technik und den anerkannten sicherheitstechnischen Regeln gebaut. Dennoch können bei Verwendung Gefahren für Leib und Leben des Benutzers oder Dritte bzw. Beeinträchtigungen am Tischgestell oder an anderen Sachwerten entstehen.

Das Tischgestell ist nur zu benutzen:

- für die bestimmungsgemäße Verwendung.
- in sicherheitstechnisch einwandfreiem Zustand.

## **3. Montage**

### **3.1 Überprüfung des Lieferumfangs**

- Öffnen Sie den Karton vorsichtig.
- Verwenden Sie hierzu keine langen Messerklingen. Dabei können Teile im Inneren beschädigt werden.
- Überprüfen Sie, ob alle in Kapitel 1.5 angegebenen Teile vorhanden sind.
- Versuchen Sie nicht, das gelieferte Tischgestell zu montieren, wenn Sie Beschädigungen oder eine fehlerhaften Lieferumfang feststellen.

### **3.2 Verpackung**

- Entfernen Sie die Verpackung und entsorgen Sie diese als Haus-/Papiermüll.
- Beachten Sie die nationalen Rechtsvorschriften.

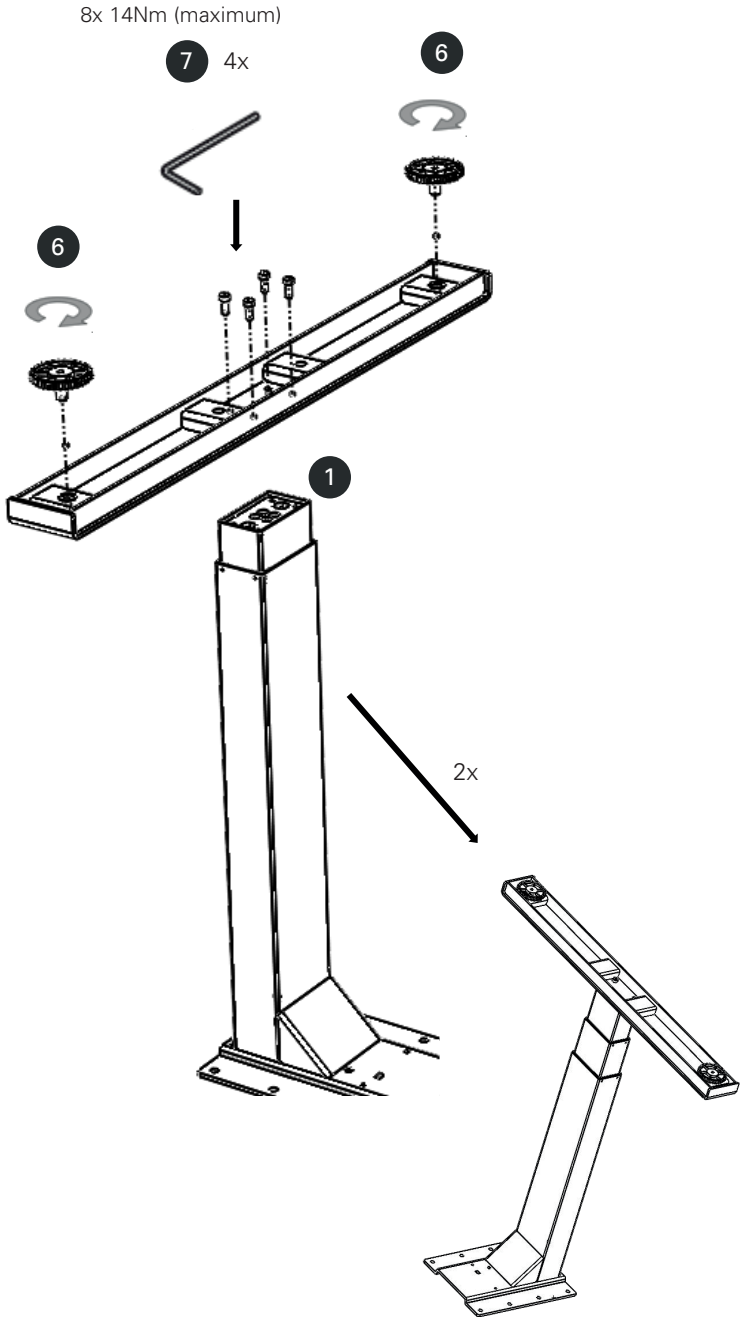
### **3.3 Hinweis zum Verschrauben der Beschläge**

- Montieren Sie das Tischgestell ausschließlich unter Verwendung der mitgelieferten Werkzeuge.



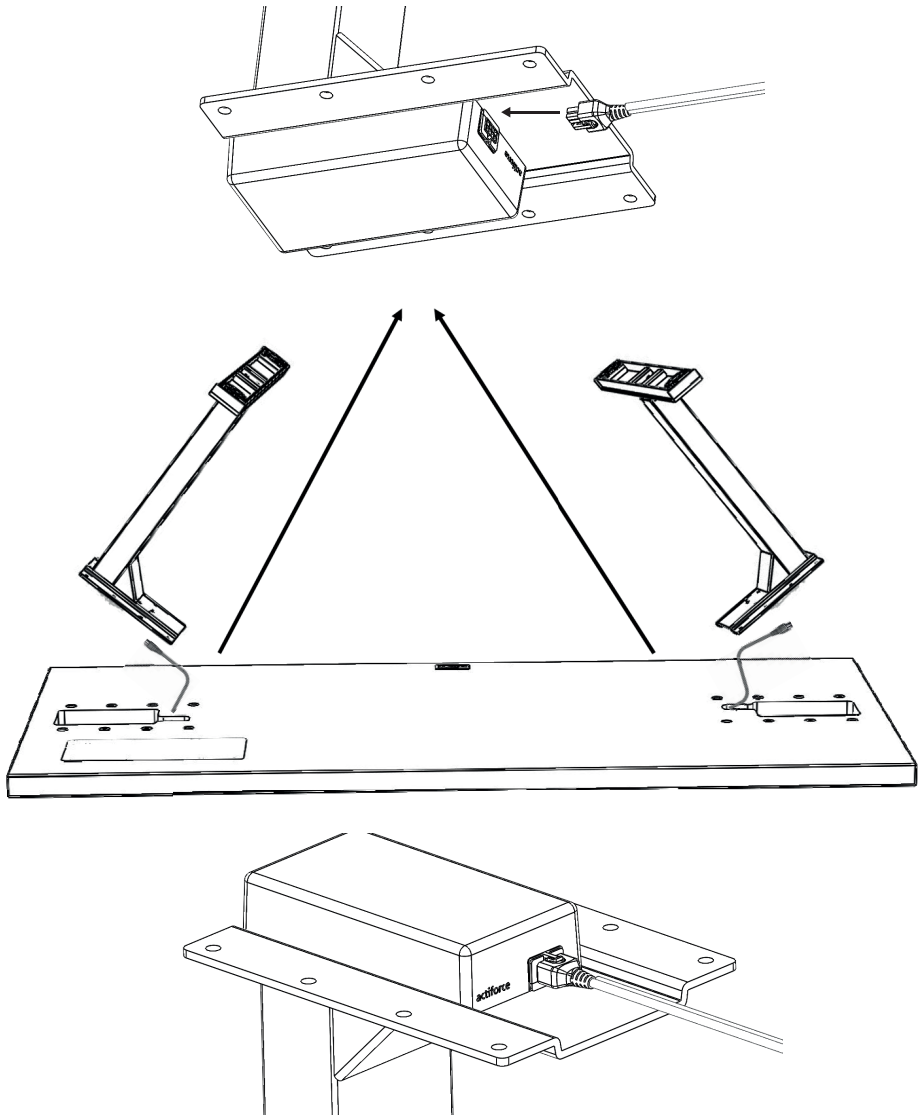
Bitte beachten Sie vor der Montage die Sicherheitshinweise in Kapitel 2.

**3.4.1 Montage der Kufen an die Säule**





### 3.4.2 Anschließen der Motorkabel

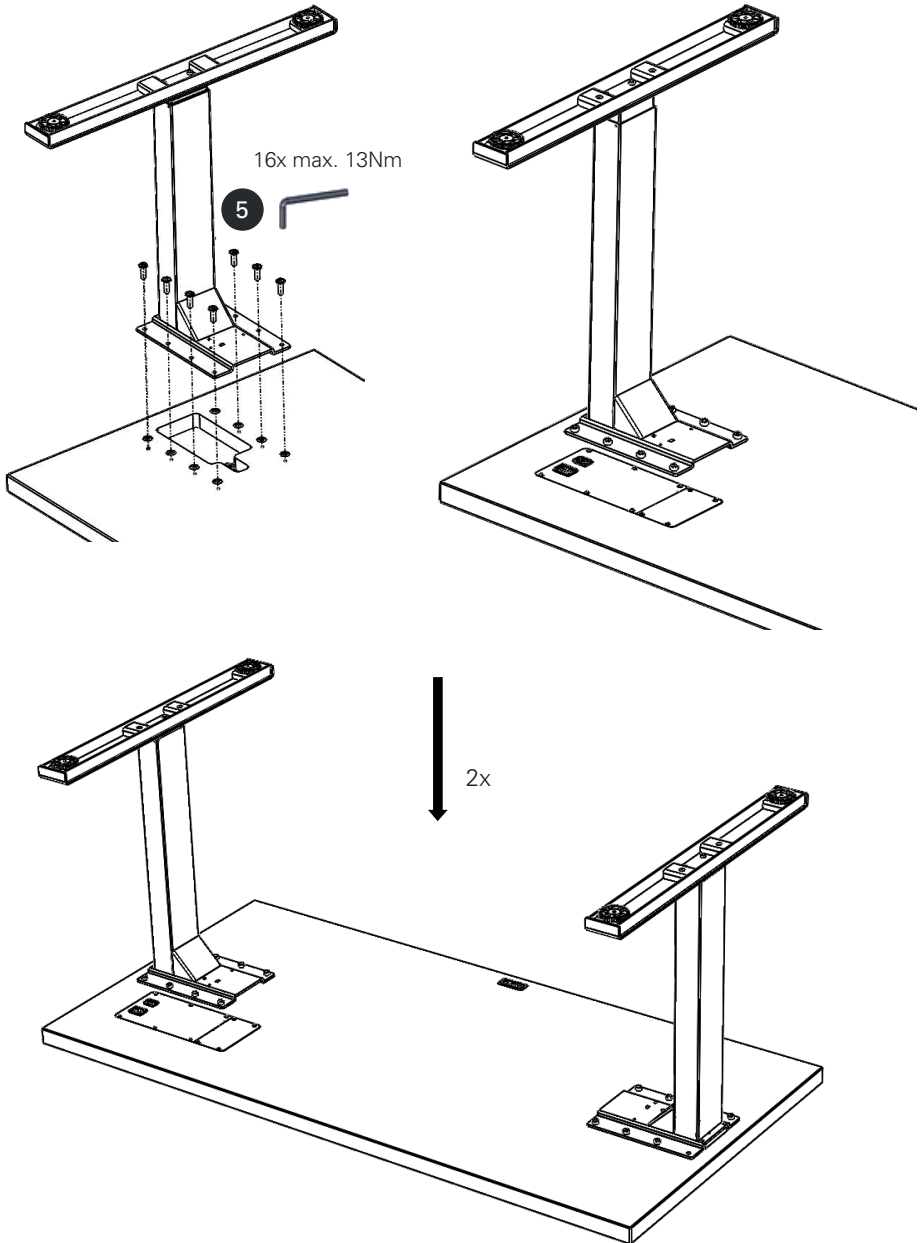


Vergewissern Sie sich, dass der Stecker fest in der Buchse eingesteckt ist.

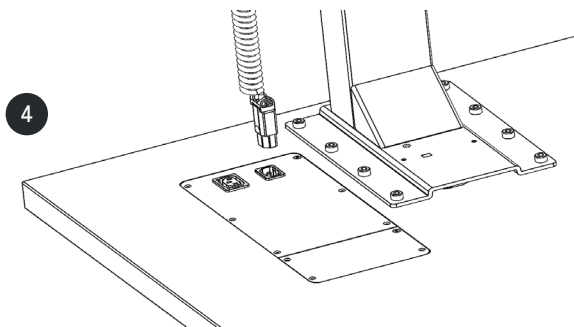


Ziehen Sie die Stecker nicht weiter aus der Tischplatte heraus.

**3.4.3 Montage der Säulen an die Tischplatte**



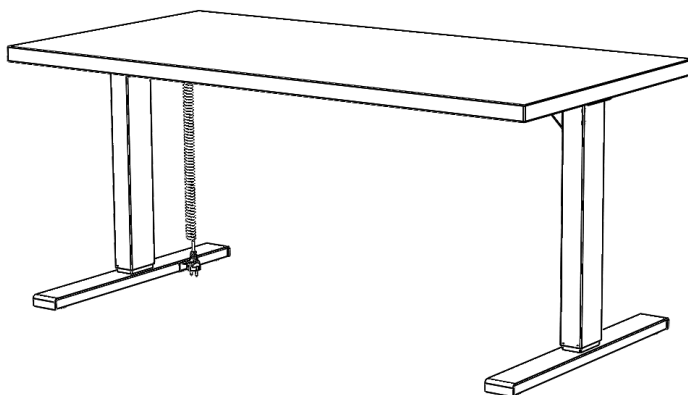
### 3.4.4 Anschluss der elektronischen Komponenten



Bedenken Sie unbedingt, dass ihr Tischgestell höhenverstellbar ist. Die Kabel der elektrischen Komponenten dürfen während der Höhenverstellung nicht eingeschränkt sein und müssen der maximalen Verstellhöhe folgen können.



Erstinbetriebnahme siehe nächste Seite.



Um die Elastizität des Spiralkabels über lange Zeit zu erhalten, wird empfohlen den Tisch, vor längerer Nichtbenutzung des Arbeitsplatzes, in dessen unterste Position zu bringen.



Öffnen Sie auf keinen Fall die Abdeckungen in der Tischplatte. Es besteht die Gefahr eines Stromschlags.

### 3.4.5 Testlauf



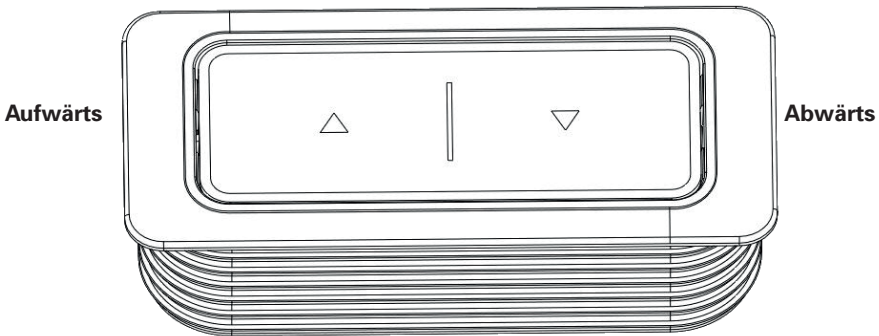
Vergewissern Sie sich vor jeder Nutzung, dass weder Objekte, noch Personen oder Tiere der Höhenverstellung im Weg sind.



Müssen die Kabel vom Motor bzw. vom Bedienteil getrennt werden, so ist vorher stets das Netzteil vom Strom zu trennen.



Sollte das Gestell zu irgendeinem Zeitpunkt nicht mehr ordnungsgemäß funktionieren, ist die Stromzufuhr zu unterbrechen und der Kundendienst zu kontaktieren. (siehe Kapitel 10 „Kundendienst“)

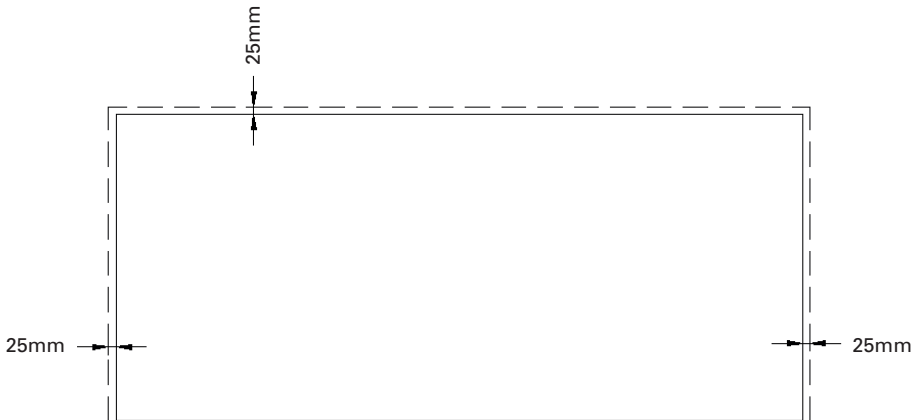


### Reset-Modus

Beim erstmaligen Anschluss des Netzteils an die Stromzufuhr, ist die Höhenverstellfunktion nur im Reset-Modus zu betätigen. Während des Reset-Modus kann das Gestell nur abwärts gefahren werden. Um diesen Vorgang abzuschließen und das Gestell normal bedienen zu können befolgen Sie bitte folgende Schritte:

- Bei Betätigung der Abwärts-Taste bewegt sich das Tischgestell langsam nach unten.
- Das Tischgestell muss in die unterste Position gefahren werden. Diese Position dient dann als Referenzpunkt (Nullpunkt).
- Halten Sie die Taste bei Erreichen der untersten Positionen einen Augenblick lang gedrückt. Dies beendet den Reset-Modus.
- Das Gestell lässt sich jetzt normal betätigen und durch drücken der Auf- bzw. Abwärts-Taste in die gewünschte Position fahren. Das Gestell stoppt sobald die Tasten losgelassen werden.

### 3.4.6 Freiraum der Tischplatte



Lassen Sie einen Mindestabstand von 25mm von der Kante der Tischplatte zur Wand oder anderen beweglichen Gegenständen in der Umgebung.



Beim Verändern der Tischplattenposition kann es in Ausnahmefällen trotz Sicherheitseinrichtung zu einer Quetschgefahr kommen. Achten Sie daher grundsätzlich darauf, dass sich keine Gegenstände oder Personen im Gefahrenbereich befinden und nicht in den Gefahrenbereich gegriffen wird.

### 3.4.7 Schraubpunkte an der Tischplatte



Um Zubehör unter der Tischplatte zu befestigen, nutzen Sie nur den Grün gekennzeichneten Bereich.

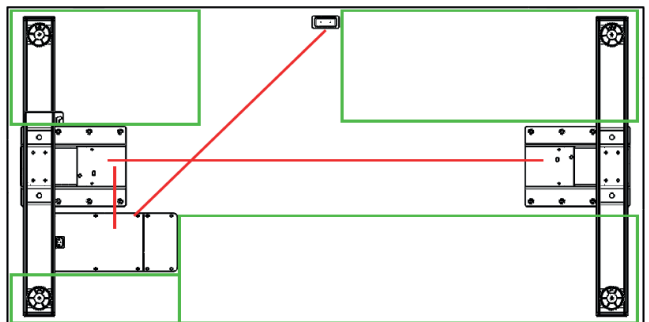


Schrauben nutzen, die mit einer Länge von maximal 10 mm ins Material eingeschraubt werden.

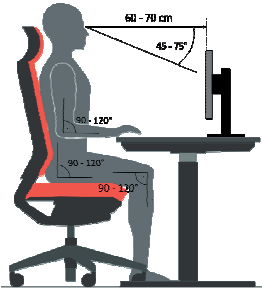


— Kabel-Position

□ Freie Montagefläche



## 4. Richtige Sitzposition



### Die Richtige Sitzhaltung

Falsches Sitzen kann zu gesundheitlichen Schäden an Gelenken, Sehnen und Muskeln führen. Um dies zu vermeiden, müssen Schreibtisch und Bürostuhl eingestellt werden. Unabhängig von den nachfolgenden Hinweisen ist eine unbequeme Sitzhaltung zu vermeiden. Sollten Sie feststellen, dass der eine oder andere Hinweis zu einer für Sie unbequemen Sitzhaltung führt, passen Sie die Positionierung einfach Ihren Bedürfnissen an.

### Bürostuhl

- Stellen Sie die Sitzhöhe so ein, dass Ihre Knie jeweils einen Winkel von 90 bis 120° haben, wenn Ihre Füße dabei flach auf dem Boden stehen.
- Eine optimale Sitzhaltung ergibt sich, wenn Ihr Gesäß der Rückenlehne anliegt. Stellen Sie wenn möglich die Sitztiefe ein um zu vermeiden, dass die Kante der Sitzfläche gegen Ihre Unterschenkel drückt.
- Sitzen Sie aufrecht, aber lehnen Sie sich dabei entspannt gegen die Rückenlehne. Sofern möglich stellen Sie die Lordosenstütze des Stuhls auf Ihre Körpergröße ein. Die Rückenlehne sollte so eingestellt werden, dass Ihr Oberkörper leicht nach vorne gedrückt wird, jedoch flexibel Ihren Bewegungen nachgeben kann.
- Wenn möglich stellen Sie die Armlehnen so ein, dass Ihre Schultern entspannt sind, wenn die Unterarme aufliegen.

### Schreibtisch

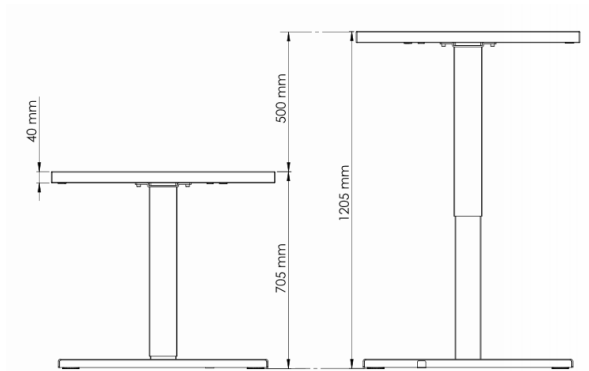
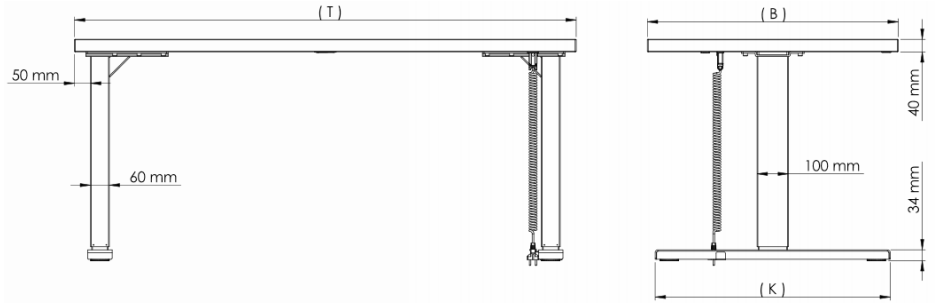
- Passen Sie die Schreibtischhöhe erst dann an, wenn Sie die korrekte Sitzposition gefunden haben.
- Ihre Ellenbogen sollten einen Winkel von 90-120° haben, wenn Ihre Unterarme auf der Tischplatte liegen. Die Tischkante darf dabei nicht gegen Ihre Unterarme drücken.

### Arbeitsgeräte auf der Tischplatte

- Einfallendes Licht auf Ihren Monitor (Fenster oder Leuchtmittel) sollte in einem Winkel von 90° auf die Bildschirmoberfläche fallen.
- Die Monitorhöhe ist so einzurichten, dass Ihr Blick zur Bildschirmmitte leicht abwärts gerichtet ist.
- Halten Sie ca. 60-70 cm Distanz zu Ihrem Monitor.
- Eine für die Arbeit an Tastaturen schonende Handgelenkhaltung erhalten Sie, wenn die Tastatur möglichst flach ausliegt.
- Beachten Sie die Hinweise in den Anleitungen Ihrer weiteren (ergonomischen) Arbeitsgeräte.

## 5. Technische Daten

Anleitungsversion	ELE-SOL002-0EN-DE-NL
Ausgabe	Januar 2019
Ursprung der Säulen und Kufen	Malaysia
Ursprung der Tischplatte	Deutschland
System	einstufig
Material	Stahl, Aluminium, Kunststoff und Holzwerkstoffe
Hub (max.)	500 mm
Maximale Traglast (max.)	80 kg
Eigengewicht	± 43 kg
Geschwindigkeit mit Last	± 39 mm/s
Eingangsspannung	230V / 50Hz / max. 8A
Nutzungszyklus	30s an / 3 Minuten aus
Lebensdauer	10.000 Zyklen (durchschnittliche Nutzung)
Geräuschpegel	< 55 dB(A)
zulässige Umgebungstemperatur	15 - 30 °C
zul. Umgebungstemperatur (Lagerung)	10 - 50 °C
zul. Luftfeuchtigkeit	<85%
zul. Luftfeuchtigkeit (Lagerung)	<50%
Maximale Lagerungszeit	-
Standby-Leistung bei Nennspannung, primär (typisch)	0,1W
Nur in geschlossenen Räumen nutzen	

**5. Technische Daten**(\*allgemeine Toleranz =  $\pm 1$  cm)

Min. Gestellhöhe	705 mm
Max. Gestellhöhe	1205 mm
Hub	500 mm

Tischplattenbreite (T)	1380 / 1600 / 1800 / 2000 mm
Tiefe der Tischplatte (B)	670 / 800 / 800 / 800 mm
Kufenlänge (K)	550 / 750 / 750 / 750 mm

Max. zulässige Last	80 kg
---------------------	-------



## 6. Betriebshinweise

**Beachten Sie die Bestimmungen im Abschnitt 2 Sicherheitshinweise auf Seite 25-27, insbesondere:**

Lassen Sie keine Kinder unbeaufsichtigt mit dem Tischgestell. Kinder können die von diesem Tischgestell ausgehenden Gefahren nicht einschätzen. Kinder können sich erheblich verletzen, bis hin zur Todesfolge. Weitere Vorkehrungen als Schutzmaßnahme gegen die Benutzung durch Kinder sind nicht erforderlich.

Überschreiten Sie nicht die maximale zeitliche Verzögerung des Gestells.

Stellen Sie sicher, dass ausreichend Platz vorhanden ist, um Zusammenstöße zu vermeiden. Dies gilt insbesondere dann, wenn sich Gegenstände auf der Arbeitsfläche befinden, etwa Computer, Arbeitsmaterial etc.

### 6.1 Fehlfunktionen

Entfernen Sie sich umgehend aus der unmittelbaren Umgebung des Gestells, wenn dieses sich ohne Bedienung bewegen sollte. Vermeiden Sie in einem solchen Fall eine Bedienung des Gestells.

Verzichten Sie auf den Einsatz des Gestells bis es vollständig und fachmännisch erfolgreich repariert wurde.

Benutzen Sie das Gestell nicht mehr wenn etwas Ungewöhnliches auftreten sollte (z.B. laute Geräusche, Rauchbildung, etc.). Lassen Sie das Gestell nur von einem Fachmann reparieren.



Das Tischgestell ist ausschließlich mit einem trockenem oder leicht angefeuchteten Tuch zu reinigen. Vor dem Reinigen müssen Sie unbedingt den Netzstecker vom Strom trennen.



Ziehen Sie bei Gewitter oder bei längerer Abwesenheit das Stromversorgungskabel aus der Steckerdose! Andernfalls könnten Geräteschäden durch netzbedingte Überspannung entstehen.

## 7. Entsorgung

### 7.1 Tischgestell außer Betrieb nehmen

- Ziehen Sie den Netzstecker aus der Steckdose.

### 7.2 Tischgestell demontieren

- Um das Gestell zu demontieren, befolgen Sie die Anleitung in rückwärtiger Reihenfolge.

### 7.3 Recycling

- Demontieren Sie das Tischgestell nach Werkstoffen getrennt und entsorgen Sie diese umweltgerecht. Bitte nationale Vorschriften beachten!

## 8. Fehlerbehebung

<b>Problematik</b>	<b>Mögliche Ursache</b>	<b>Lösung</b>
Gestell bewegt sich nicht.	Kabel oder Anschlüsse schadhaft.	Alle Anschlüsse prüfen. Stromzufuhr einwandfrei?
Gestell bewegt sich nicht.	Wenn die Anschlüsse kontrolliert wurden, kann das Bedienteil schadhaft sein.	Ersetzen Sie den Auf-Ab Handschalter
Gestell bewegt sich nicht.	Fehler im Netzteil.	Neustart des Systems durchführen.

**Sollte Ihr Problem nicht in der obigen Liste behandelt sein, setzen Sie sich bitte mit dem Kundendienst in Verbindung.**

## 9. EG-Konformitätserklärung nach Anhang II A

Hiermit erklären wir, dass das nachfolgend bezeichnete Gerät den einschlägigen EG-Richtlinien (insbesondere den unten benannten) entspricht und die Serie entsprechend gefertigt wird.

**Artikelbezeichnung:**

EL-CTF-ATX-XXXXXX-XXX-EXX1-EU-XXXX

**Artikelnummer:**

**Baureihe:**

Spindle Lift System

**Technische Daten:**

Breite: 1380 - 2000 mm

Höhe: 705 - 1205 mm

Tiefe: 670 - 800 mm

Material: Stahl, Aluminium, Kunststoff und Holzwerkstoffe

max. Nennlast: 80 kg

**Harmonisierte EN-Fach- und Grundnorm. Der Artikel entspricht folgenden Normen:**

DIN EN 527-1:2011

DIN EN 527-2:2017

EK5/AK3 13-01:2014

DIN EN 61000-6-2/3

DIN EN 61000-3-2/3

DIN EN 60335-1

DIN FB 147

DIN EN 12100

DIN EN 60204-1

## 10. Kundendienst

**Bitte haben Sie diese Montageanleitung griffbereit, wenn Sie mit dem Kundendienst in Kontakt treten.**

**Inverkehrbringer:**

**Actiforce Europe GmbH**

Rudolf-Diesel-Straße 29-31

31582 Nienburg, Germany

T: +49 5021 88 7750

E: [contact@actiforce.de](mailto:contact@actiforce.de)

W: [www.actiforce.com](http://www.actiforce.com)

## 11. Hersteller

**Hersteller:**

Actiforce International BV

Het Steenland 20

3751 LA Bunschoten-Spakenburg, The Netherlands

T: +31 (0)33 4600120

E: [info.holland@actiforce.com](mailto:info.holland@actiforce.com)

W: [www.actiforce.com](http://www.actiforce.com)

# Inhoud

## 1. Algemeen

1.1	Het belang van de montage- en bedieningshandleiding	47
1.2	Beoogd gebruik	47
1.3	Onjuist gebruik	47
1.4	Gevaar	47
1.5	Inhoud van de verpakking controleren	48

## 2. Veiligheidsinstructies

2.1	Symbolen/waarschuwingen	49
2.2	Maximaal toegestane gewicht op het bureau	49
2.3	Maximaal toegestane gewicht per been	50
2.4	Organisatorische maatregelen	50
2.5	Informele veiligheidsmaatregelen	50
2.6	Opmerkingen voor de personen die het bureau monteren	50
2.7	Transport en montage	50
2.8	Gebruik van het bureau	50
2.9	Specifieke gevaren	51
2.10	Instructies voor noodgevallen	51
2.11	Onderhoud en reparatie	51
2.12	Reiniging	51
2.13	Overige risico's	51

## 3. Montage

3.1	Geleverde onderdelen controleren	52
3.2	Verpakking	52
3.3	Draaimomenten van de gebruikte schroeven	52
3.4	Montage van het werkstation	53
3.4.1	Montage van de voeten aan het been	53
3.4.2	Sluit de motorkabels aan	54
3.4.3	Montage van het been aan het werkblad	55
3.4.4	Aansluiting van de elektrische componenten	56
3.4.5	Bureautest	57
3.4.6	Vrije ruimte rond het werkblad	58
3.4.7	Schroefpunten op het werkblad	58

<b>4. Juiste zitpositie</b>	<b>59</b>
-----------------------------	-----------

<b>5. Technische specificaties</b>	<b>60</b>
------------------------------------	-----------

<b>6. Bediening en storingen</b>	<b>62</b>
----------------------------------	-----------

6.1	Indicatoren	62
-----	-------------	----

<b>7. Recycling</b>		
7.1	Het bureau buiten gebruik stellen	63
7.2	Demontage van het bureau	63
7.3	Recycling	63
<b>8. Probleemoplossing</b>		63
<b>9. EU-conformiteitsverklaring in bijlage II A</b>		64
<b>10. Klantendienst</b>		64
<b>11. Fabrikant</b>		64



# 1. Algemeen

## 1.1 Het belang van de montage- en bedieningshandleiding

Kennis van de fundamentele veiligheidsinstructies en -voorschriften is een basisvoorwaarde voor een veilig gebruik en een storingsvrije werking van dit bureau. Deze montage- en bedieningshandleiding bevat de belangrijkste informatie voor een veilige montage en bediening van het bureau. Deze montage- en bedieningshandleiding, met name de hierin opgenomen veiligheidsinstructies, moet in acht genomen worden door iedereen die het bureau opbouwt en werkzaamheden aan het gemonteerde werkblad verricht. Bovendien moeten de regels en voorschriften voor het voorkomen van ongevallen op de locatie waar het bureau wordt gebruikt te allen tijde worden nageleefd.

## 1.2 Beoogd gebruik

Het bureau mag uitsluitend worden gebruikt als een elektrisch in hoogte verstelbare sta-zit-werkplek in kantoren of andere afgesloten ruimten. Het bureau mag alleen voor dit doel worden gebruikt. Elk gebruik dat afwijkt van bovengenoemd gebruik wordt als onjuist beschouwd. Neem de bepalingen van hoofdstuk 2, Veiligheidsinstructies, in acht. Houd toezicht op kinderen, want ze zijn zich mogelijk niet bewust van de gevaren van het bureau. De fabrikant kan op geen enkele wijze aansprakelijk worden gesteld voor schade die voortvloeit uit onjuist gebruik.

### Onder beoogd gebruik valt tevens:

- het opvolgen van alle instructies uit de montage- en bedieningshandleiding en
- het verbod op iedere aanbouw aan en verbouw van de werkplek.

## 1.3 Onjuist gebruik

- Gebruik het bureau nooit om personen of lasten op te tillen!
- De maximale belasting van het bureau (zie hoofdstuk 5, Technische Specificaties) mag niet worden overschreden.
- Gebruik het bureau niet thuis, maar gebruik het uitsluitend in een kantooromgeving.

## 1.4 Gevaar

Een verkeerde aansluiting van de aardleiding van het bureau kan een elektrische schok veroorzaken. Raadpleeg een gekwalificeerde elektricien als u twijfelt of het product correct geaard is. Breng geen veranderingen aan de bij het product geleverde stekker aan.

Als de voedingskabel beschadigd is, moet deze vervangen worden door een speciale kabel of set die verkrijgbaar is bij de fabrikant of diens serviceagent.

**WAARSCHUWING: Elke verandering of aanpassing die niet uitdrukkelijk door de fabrikant is goedgekeurd, kan ertoe leiden dat het recht van de gebruiker vervalt om de werkplek te gebruiken.**

### 11.5 Inhoud van de verpakking controleren

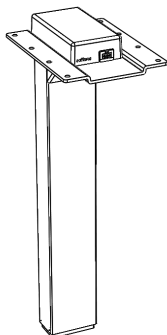
De montage moet door twee personen worden uitgevoerd.

#### Gereedschap

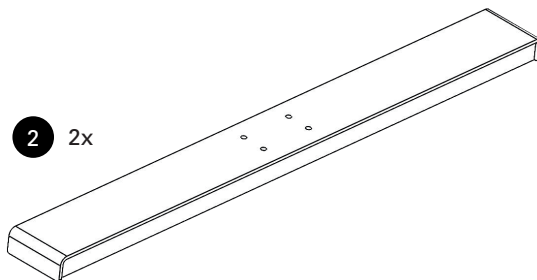


#### Onderdelen

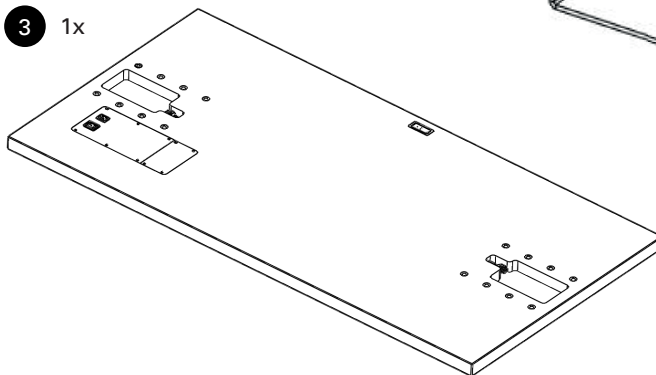
1 2x



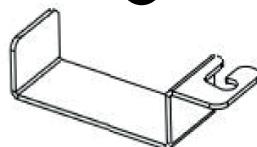
2 2x



3 1x



8



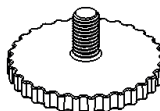
4 1x



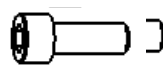
5 16x



6 4x



7 8x



Verwijder het verpakkingsmateriaal op milieuvriendelijke wijze.



## 2. Veiligheidsinstructies

### 2.1 Symbolen/waarschuwingen

In de handleiding worden de volgende begrippen en symbolen gebruikt om gevaren aan te duiden:



Dit symbool wijst op een onmiddellijk gevaar voor het leven of de gezondheid van personen. Het niet in acht nemen van deze instructies kan ernstige schade aan de gezondheid toebrengen en zelfs levensgevaarlijk of dodelijk letsel tot gevolg hebben.



Dit symbool verwijst naar belangrijke instructies die opgevolgd moeten worden om beschadiging van de werkplek te voorkomen.



Verwijzing naar de verplichting om de handleiding te lezen.



Plaats geen voorwerpen of lichaamsdelen onder het bureau. Dit kan leiden tot ernstig of zelfs dodelijk letsel.

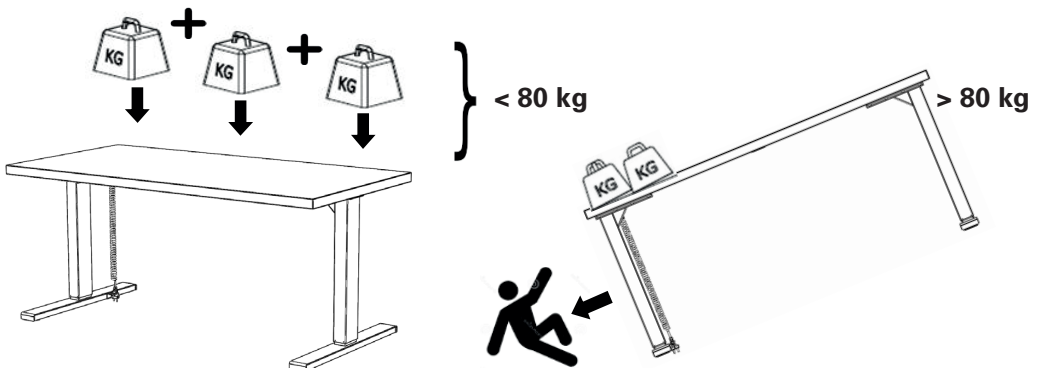
### 2.2 Maximaal toegestane gewicht op het bureau

Het maximaal toegestane gewicht van 80 kg op het bureau mag niet worden overschreden. Vermijd een ongelijke verdeling van de belasting; verdeel het gewicht gelijkmatig om overbelasting te voorkomen. Door overbelasting kan een bureau breken, waardoor personen in de buurt van het bureau ernstige verwondingen kunnen oplopen.



#### Voorbeeld

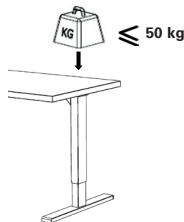
Al het gewicht moet gelijkmatig worden verdeeld.



### 2.3 Maximaal toegestane gewicht per been



Het maximaal toegestane gewicht van 50 kg op een been mag niet worden overschreden. Door overbelasting kan het bureau breken, waardoor personen in de buurt van het bureau ernstige verwondingen kunnen oplopen.



### 2.4 Organisatorische maatregelen

Monteer het bureau bij voorkeur met twee personen. Met name voor het draaien van het bureau zijn twee personen nodig!

### 2.5 Informele veiligheidsmaatregelen

- Bewaar de montage- en bedieningshandleiding altijd op de plaats waar het bureau wordt gebruikt.
- Zorg ervoor dat alle veiligheidsinstructies op de tafel (zie hoofdstuk 2.2, Gebruikte symbolen op het bureau, pagina 5) leesbaar zijn en vervang deze indien nodig.

### 2.6 Opmerking voor de personen die de werkplek monteren

- Alleen personen ouder dan 16 jaar mogen de werkplek monteren en eraan werken.
- De hierboven genoemde personen moeten de montage- en bedieningshandleiding hebben gelezen en begrepen.

### 2.7 Transport en montage

- Het bureau mag alleen door twee personen worden verplaatst en moet dan eerst ingeschoven worden.
- Sleep of trek het bureau niet over de vloer.
- Het bureau mag alleen met behulp van het meegeleverde gereedschap worden gemonteerd. Alleen met dit gereedschap worden de schroeven met het juiste koppel aangedraaid.

### 2.8 Gebruik van het bureau

- Kinderen mogen het bureau alleen onder toezicht gebruiken. Ze zijn zich mogelijk niet bewust van de gevaren van het bureau. Hierdoor lopen ze ernstig gevaar dat ze zichzelf verwonden, mogelijk zelfs met fatale gevolgen.
- Het bureau mag uitsluitend worden gebruikt in een omgeving die daarvoor geschikt is (zie hoofdstuk 5, Technische Specificaties).
- Gebruik het bureau niet op een oneffen ondergrond. Het bureau staat dan niet stevig. De maximale belasting op het bureau mag nooit overschreden worden (zie hoofdstuk 5, Technische Specificaties).

## **2.9 Specifieke gevaren**

- Het verstellen van de hoogte van het bureau brengt het risico van letsel met zich mee. Zorg ervoor dat zich niemand anders in de onmiddellijke nabijheid van het bureau bevindt.
- Zorg bij het monteren van het bureau voor voldoende ruimte om botsingen in alle mogelijke richtingen te voorkomen (bijv. schuin dak, vaste voorwerpen, archiefkasten, prullenbakken enz.).
- Zorg voor voldoende ruimte om botsingen te voorkomen als er voorwerpen zoals computers of randapparatuur op het werkblad staan.
- Zorg voor een vrije ruimte van ten minste 25 mm tot alle andere meubels rondom het bureau.

## **2.10 Instructies voor noodgevallen**

- Laat het bureau door een gespecialiseerd bedrijf repareren. Neem het bureau pas weer in gebruik nadat het gerepareerd is.
- Stel het bureau onmiddellijk buiten gebruik wanneer u iets ongewoons opmerkt (vreemde geluiden, rook enz.).

## **2.11 Onderhoud en reparatie**

- Voer zelf geen reparaties aan het bureau of andere onderdelen uit.
- Breng geen veranderingen aan de constructie van het werkblad of het bureau aan.
- Defecte onderdelen mogen alleen worden vervangen door nieuwe, originele onderdelen van de fabrikant. Gebruik alleen originele vervangingsonderdelen die door de fabrikant zijn vervaardigd. Laat het vervangen van onderdelen over aan een gespecialiseerd bedrijf. Daarbij moet deze montage- en bedieningshandleiding in acht worden genomen.

## **2.12 Reiniging**

- Verwijder eenmaal per week het stof van het bureau met een droge doek.
- Maak het bureau om de twee weken schoon met een vochtige doek en een niet-agressief schoonmaakmiddel.

## **2.13 Overige risico's**

Dit bureau is gebouwd volgens de laatste stand van de techniek en volgens erkende veiligheidsvoorschriften. Desondanks kan het gebruik ervan de gezondheid en veiligheid van gebruikers of derden in gevaar brengen en tot beschadiging van het bureau of andere onderdelen leiden.

Het bureau mag uitsluitend worden gebruikt:

- voor het beoogde doel; als dat volstrekt veilig is.

### **3. Montage**

#### **3.1 Geleverde onderdelen controleren**

- Maak de kartonnen verpakking voorzichtig open.
- Gebruik daarvoor geen lange messen. Deze kunnen de onderdelen in de verpakking beschadigen.
- Controleer of alle in hoofdstuk 1.5, beschreven onderdelen zijn geleverd.
- Probeer het bureau niet te monteren als het beschadigd is of als er verkeerde onderdelen geleverd zijn.

#### **3.2 Verpakking**

- Verwijder de verpakking. Voer deze af als huishoudelijk afval/oud papier.
- Neem de desbetreffende landelijke wetgeving in acht.

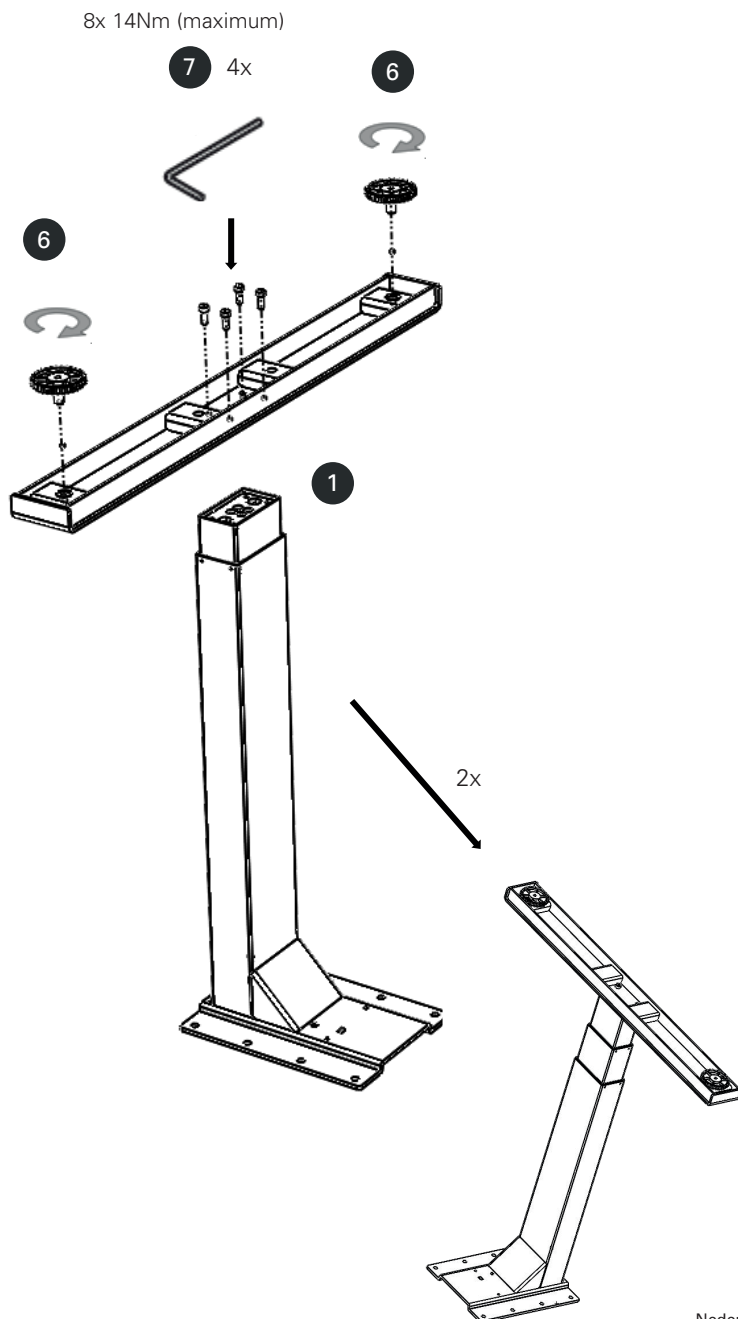
#### **3.3 Draaimomenten van de gebruikte schroeven**

- Het bureau mag alleen worden gemonteerd met het meegeleverde gereedschap.

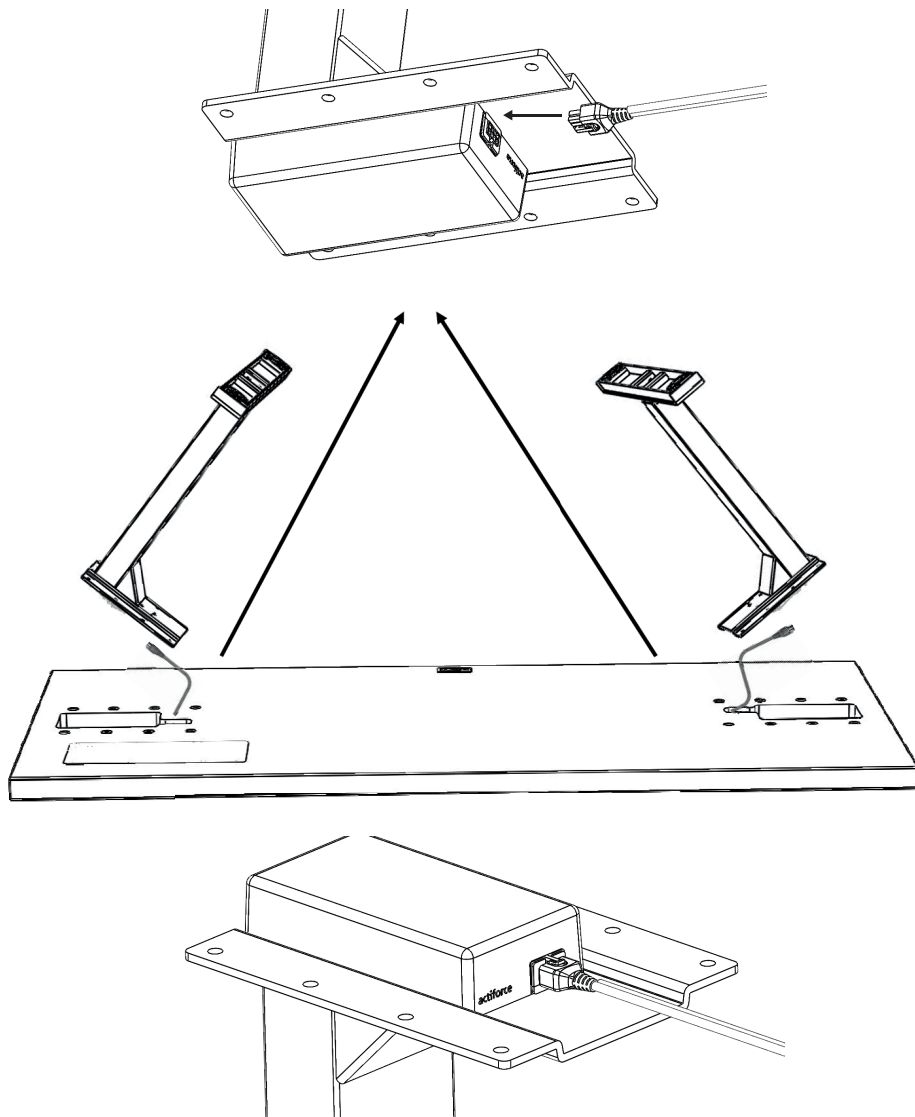


Lees voorafgaand aan de montage de veiligheidsinstructies in hoofdstuk 2.

### 3.4.1 Montage van de voeten aan het been



### 3.4.2 Sluit de motorkabels aan

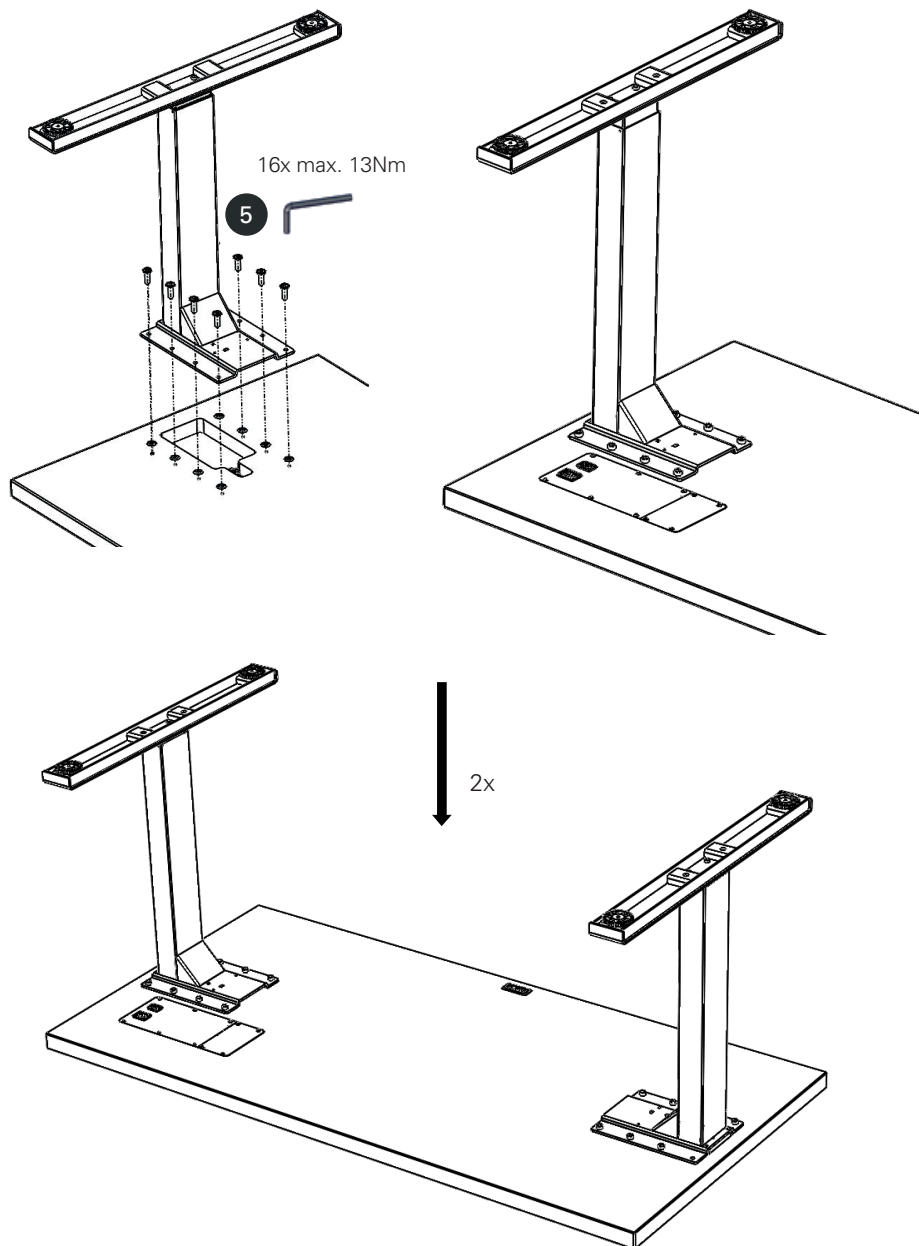


Zorg ervoor dat de stekker stevig in het stopcontact zit.

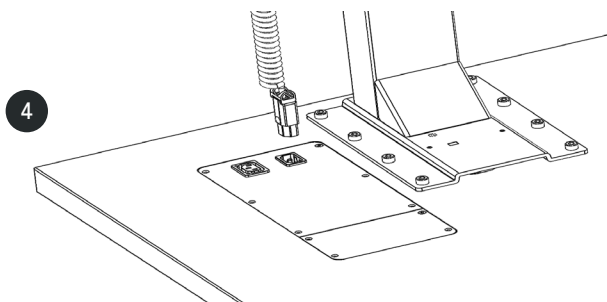


Trek de kabels niet verder uit het werkblad.

### 3.4.3 Montage van het been aan het werkblad



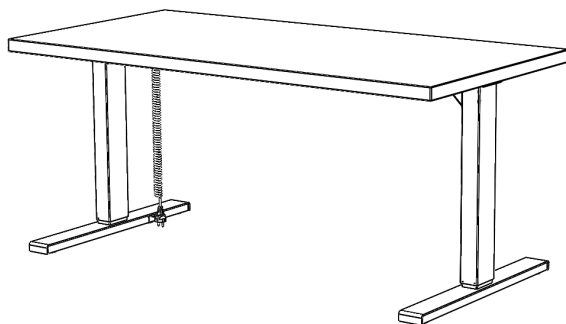
### 3.4.4 Aansluiting van de elektrische componenten



Houd er rekening mee dat het bureau die u monteert in hoogte verstelbaar is. De kabels van de elektrische componenten moeten de bewegingen van de tafel vrij kunnen volgen.



Eerste ingebruikname op de volgende pagina



Om de elasticiteit van het spiraalsnoer te behouden, is het raadzaam het bureau naar de laagste positie te verstellen wanneer de werkplek niet gebruikt wordt.



Open in geen geval de afdekkingen van het werkblad. Er bestaat gevaar voor een elektrische schok.



### 3.4.5 Test



Zorg ervoor dat de werkplek te allen tijde vrij en correct kan worden bewogen.

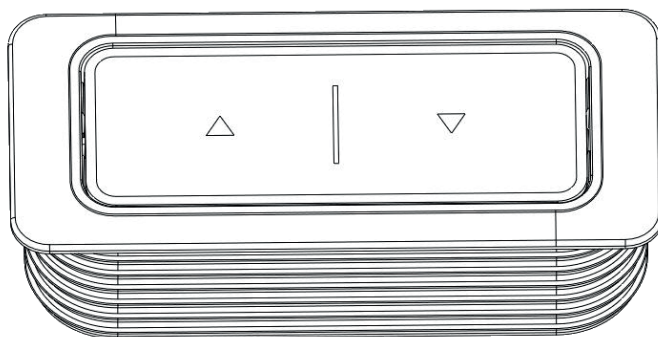


Als u kabels van de elektrische componenten moet loskoppelen, haal dan eerst de stekker uit het stopcontact.



Als de hoogteverstelling niet normaal werkt, stop dan onmiddellijk met het gebruik van de werkplek en trek de stekker uit het stopcontact. Neem contact op met de klantenservice voor verder advies (zie hoofdstuk 10).

**Links  
omhoog**



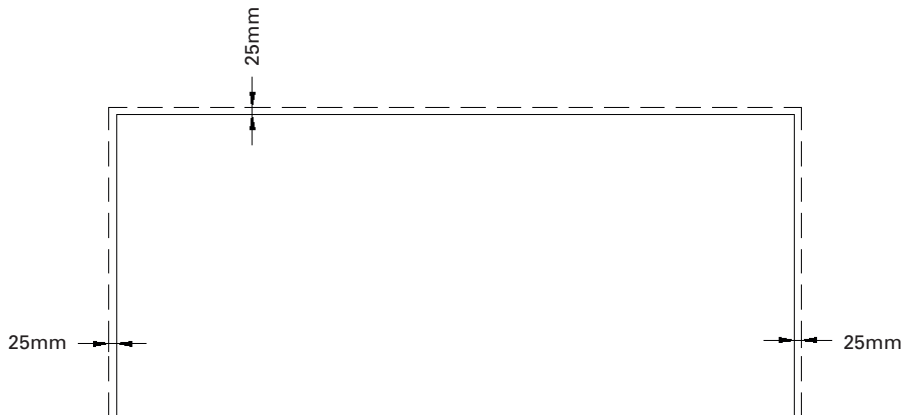
**Rechts  
omlaag**

### Resetmodus


De eerste keer dat u de stekker van de voeding in het stopcontact steekt, kan de hoogteverstelling alleen worden bediend in de resetmodus. Zolang de resetmodus ingeschakeld is, kan het systeem alleen omlaag worden bewogen. Om het systeem normaal te kunnen gebruiken, moeten de volgende stappen worden gevolgd:

- Door de down-toets in te drukken zakt het systeem langzaam naar beneden.
- Zet het systeem in de laagste positie. Deze positie dient als referentiepunt (nulpunt).
- Houd de toets even ingedrukt wanneer het systeem zijn laagste positie heeft bereikt. Daarmee wordt de resetmodus beëindigd.
- Het systeem kan nu normaal worden bediend. Druk de omhoog of omlaag-toets in om het systeem op de gewenste hoogte te zetten. Het systeem stopt wanneer u de toetsen loslaat.


**3.4.6 Vrije ruimte rond het werkblad**



 Laat minimaal 25 mm vrij tussen de rand van het werkblad en de muur of bewegende delen.

 Bij het veranderen van de positie van het werkblad (met name wanneer de anti-knelbescherming niet wordt gebruikt) bestaat gevaar voor beknelling. Let er dus op dat zich geen mensen of voorwerpen in de gevarenszone bevinden en dat deze zone niet wordt betreden.

**3.4.7. Schroefpunten op het blad**

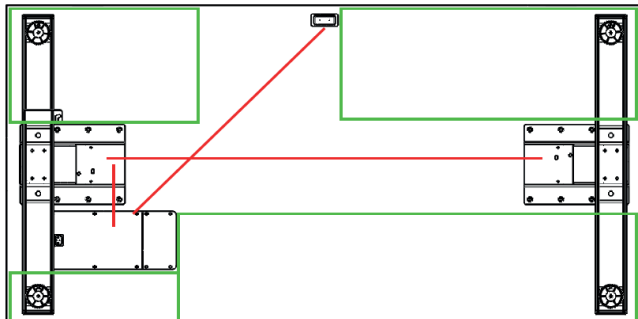
 Alleen in het groen gemarkeerde gebied mogen accessoires onder het werkblad worden bevestigd. Er mogen geen schroeven in de bovenkant van het werkblad worden aangebracht.

 Gebruik alleen schroeven die met een lengte van maximaal 10 mm in het materiaal worden geschroefd.

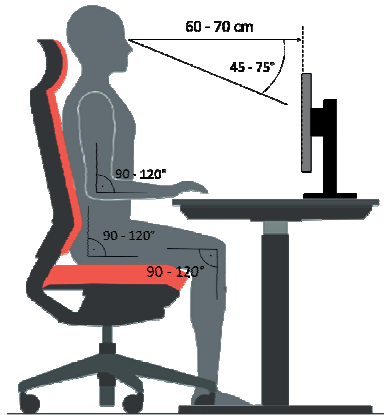


— Kabel positie

□ Vrije montage oppervlak



## 4. Juiste zitpositie



### Juiste zithouding

Verkeerd zitten kan tot letsel aan gewrichten, pezen en spieren leiden. Om dit te voorkomen moet u uw kantoorstoel en uw bureau verstellen. Los van het volgende advies moet u altijd een ongemakkelijke zithouding voorkomen. Als de volgende adviezen tot een ongemakkelijke zithouding leiden, pas uw houding dan aan uw behoeften aan.

### Kantoorstoel

- De zithoogte moet zodanig zijn dat uw knieën in een hoek van 90 tot 120° gebogen zijn wanneer uw voeten plat op de grond staan.
- Om goed te zitten moet uw onderrug de rugleuning raken. Pas zo mogelijk de zitdiepte aan om te voorkomen dat de rand van de zitting tegen uw onderbenen drukt.
- Ga rechtop zitten, maar leun ontspannen tegen de rugleuning. Pas zo mogelijk de lendesteun van uw stoel aan uw lengte aan. Stel de rugleuning zodanig in dat uw bovenlichaam iets naar voren wordt gedrukt, maar nog voldoende flexibiliteit biedt om zich aan uw bewegingen aan te passen.
- Pas zo mogelijk de hoogte van uw armsteunen zodanig aan dat uw schouders ontspannen zijn wanneer uw onderarmen op de armsteun rusten.

### Bureau

- Pas de hoogte van bureau aan nadat u de juiste zithouding heeft gevonden.
- Uw ellebogen moeten in een hoek van 90 tot 120° staan wanneer uw onderarmen op het werkblad rusten. De rand van het blad mag niet tegen uw onderarmen drukken.

### Apparatuur op het bureau

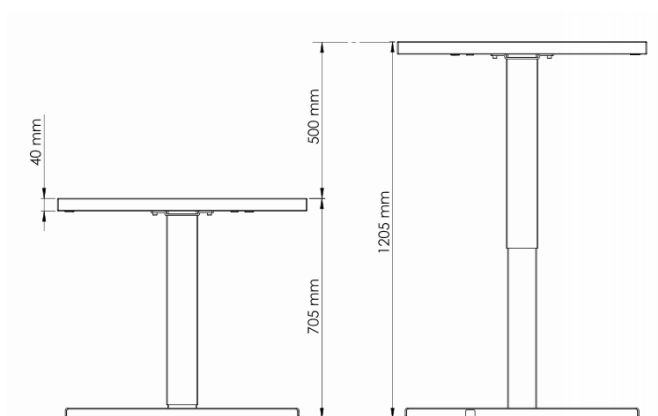
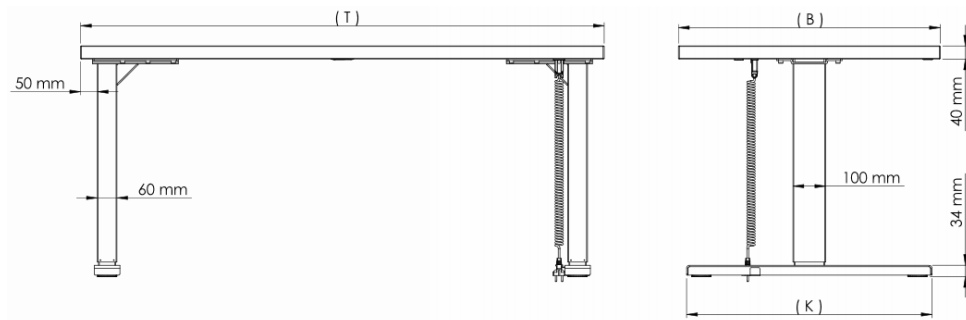
- Invallend licht (daglicht of lampen) moet in een hoek van 90° op het beeldscherm vallen.
- De hoogte van uw monitor moet zodanig worden ingesteld dat uw ogen iets naar beneden gericht zijn als u naar het midden van uw scherm kijkt.
- Houd een afstand van 60-70 cm tot uw monitor aan.
- Een goede polshouding wordt bereikt met een plat toetsenbord.
- Volg de instructies in de handleidingen van uw andere (ergonomische) apparatuur op.

## 5. Technische specificaties

Handleiding, versie	ELE-SOL002-0EN-DE-NL
Datum	Januari 2019
Land van herkomst van de benen en voeten	Maleisië
Land van herkomst van het werkblad	Duitsland
Systeem	1- stappen
Materiaal	Staal, aluminium, plastic, op hout gebaseerde materialen
Slag (max.)	500 mm
Belasting (max.)	80 kg
Belasting (max.)	± 43 kg
Snelheid belasting	± 39 mm/s
Ingangsvermogen	230V / 50Hz / max. 8A
Gebruikscyclus	30 sec. aan / 3 minuten uit
Levensduur	10.000 Cycles (gemiddeld gebruik)
Geluidsniveau	< 55 dB(A)
Omgevingstemperatuur bij gebruik	15 - 30 °C
Omgevingstemperatuur bij opslag	10 - 50 °C
Luchtvochtigheid bij gebruik	<85%
Luchtvochtigheid bij opslag	<50%
Maximale opslagduur	-
Standby-verbruik, primair (typisch)	0,1W
Enkel voor gebruik binnenshuis	

## 5. Technical Specification

(\*General Tolerance =  $\pm 1$  cm)



Minimale hoogte 705 mm  
 Maximale hoogte 1205 mm  
 Maximale slag 500 mm

Werkbladbreedte (T) 1380 / 1600 / 1800 / 2000 mm  
 Bladdiepte (B) 670 / 800 / 800 / 800 mm  
 Voetdiepte (K) 550 / 750 / 750 / 750 mm

Maximale belasting 80 kg

## 6. Bediening en storingen

**Neem met name de bepalingen van hoofdstuk 2, Veiligheidsinstructies, op pagina 5—7 in acht:**

Kinderen mogen het bureau alleen onder toezicht gebruiken. Ze zijn zich mogelijk niet bewust van de gevaren van het bureau. Hierdoor lopen ze ernstig gevaar dat ze zichzelf verwonden, mogelijk zelfs met fatale gevolgen. Zorg ervoor dat een verdere verstelling onmogelijk is zolang het bureau nog door kinderen wordt gebruikt.

Houd de maximale tijdvertraging van het bureau aan.

Let erop dat het bureau nergens tegenaan komt wanneer er voorwerpen zoals computers of randapparatuur op het werkblad staan.

### 6.1 Storingen

Verlaat direct de onmiddellijke omgeving van het bureau wanneer het spontaan begint te bewegen. Probeer in geen geval het bureau te bedienen. Laat het bureau door een gespecialiseerd bedrijf repareren. Neem het bureau pas weer in gebruik nadat het gerepareerd is.

Stel het bureau onmiddellijk buiten gebruik wanneer u iets ongewoons opmerkt (vreemde geluiden, rook enz.). Laat het bureau door een gespecialiseerd bedrijf repareren. Neem het bureau pas weer in gebruik nadat het gerepareerd is.

Stel het bureau onmiddellijk buiten gebruik wanneer de veiligheidsvoorzieningen niet naar behoren functioneren.



Reinig het bureau alleen met een droge of licht vochtige doek. Trek vóór het reinigen altijd de stekker uit het stopcontact.



Trek de stekker uit het stopcontact tijdens onweer of als u het bureau gedurende langere tijd niet gebruikt. De besturingseenheid zou anders beschadigd kunnen raken door spanningspieken.

## 7. Recycling

### 7.1 Het bureau buiten gebruik stellen

- Trek de stekker uit het stopcontact.

### 7.2 Demontage van de het bureau

- Houd bij de demontage de omgekeerde volgorde van de handleiding aan of neem contact op met de klantenservice.

### 7.3 Recycling

- Scheid alle onderdelen naar materiaalsoort. Neem de desbetreffende nationale wetgeving in acht!

## 8. Probleemoplossing

Probleem	Mogelijke oorzaak	Oplossing
Hoogteverstelling werkt niet.	Kabels of stekkers defect.	Controleer kabels op beschadiging en vervang ze indien nodig. Voeding in orde?
Hoogteverstelling werkt niet.	Als kabels en stekkers zijn gecontroleerd, kan de oorzaak een defecte aan-uit-schakelaar zijn.	Vervang aan-uit-schakelaar.
Hoogteverstelling werkt niet.	Fout in stroomtoevoer.	Opnieuw opstarten.

**Als uw probleem niet opgelost kon worden of hier niet vermeld is, neem dan contact op met uw klantenservice voor verder advies.**

## 9. EU-conformiteitsverklaring in bijlage II A

Hierbij verklaren wij dat het hieronder beschreven apparaat voldoet aan de geldende EU-richtlijnen (met name aan de hieronder vermelde richtlijnen) en in massaproductie dienovereenkomstig wordt vervaardigd.

**Artikelomschrijving:**

Elements Solid (570)

**Artikelnummer:**

EL-CTF-ATX-XXXXXX-XXX-EXX1-EU-XXXX

**Model**

Spindle Lift System

**Technische gegevens:**

Breedte: 1380 - 2000 mm  
Hoogte: 705 - 1205 mm  
Diepte: 670 - 800 mm  
Materiaal: Steel, aluminium, plastic, op hout gebaseerde materialen  
Max. belasting: 80 kg

**Geharmoniseerde EN-normen en algemene normen. Het artikel voldoet aan de hieronder vermelde normen:**

DIN EN 527-1:2011  
DIN EN 527-2:2017  
EK5/AK3 13-01:2014  
DIN EN 61000-6-2/3  
DIN EN 61000-3-2/3  
DIN EN 60335-1  
DIN FB 147  
DIN EN 12100  
DIN EN 60204-1

## 10. Klantenservice

**Zorg dat u de handleiding binnen handbereik hebt als u contact opneemt met de klantenservice.**

**Importeur / distributeur****Actiforce Western Europe**

Het Steenland 20  
3751 LA  
Bunschoten-Spakenburg,  
The Netherlands

T: +31 33 460 01 20  
E: info.holland@actiforce.com

## 11. Fabrikant

**Fabrikant:**

Actiforce International BV  
Het Steenland 20  
3751 LA Bunschoten-Spakenburg, The Netherlands

T: +31 (0)33 4600120  
E: info.holland@actiforce.com  
W: www.actiforce.com