

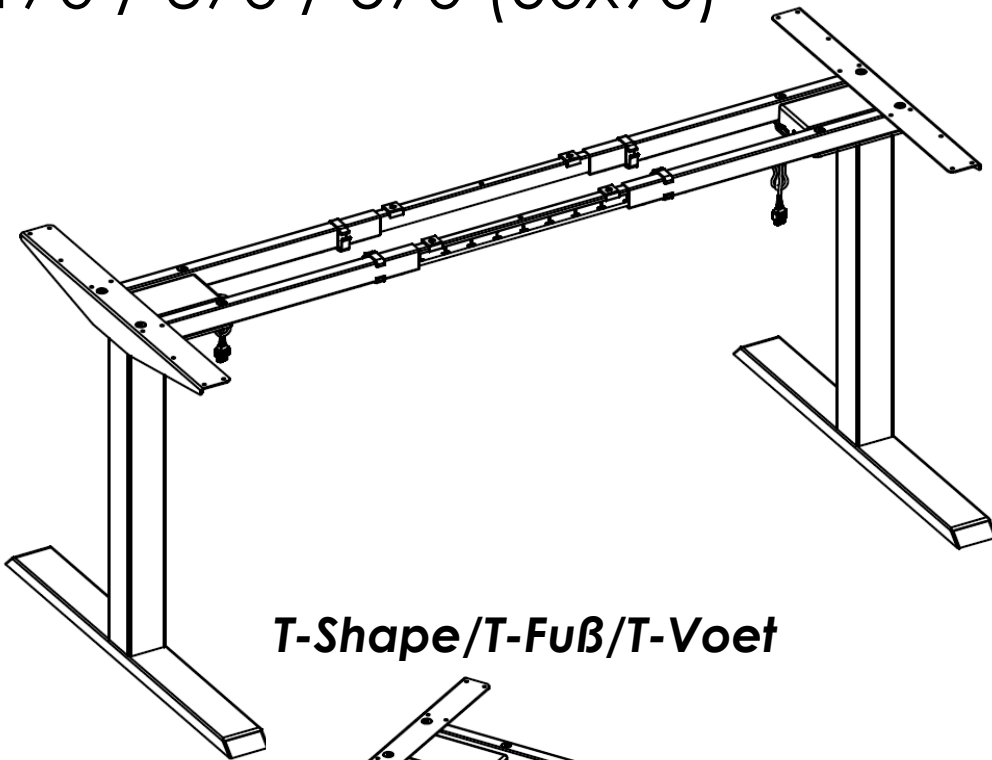
English

Deutsch

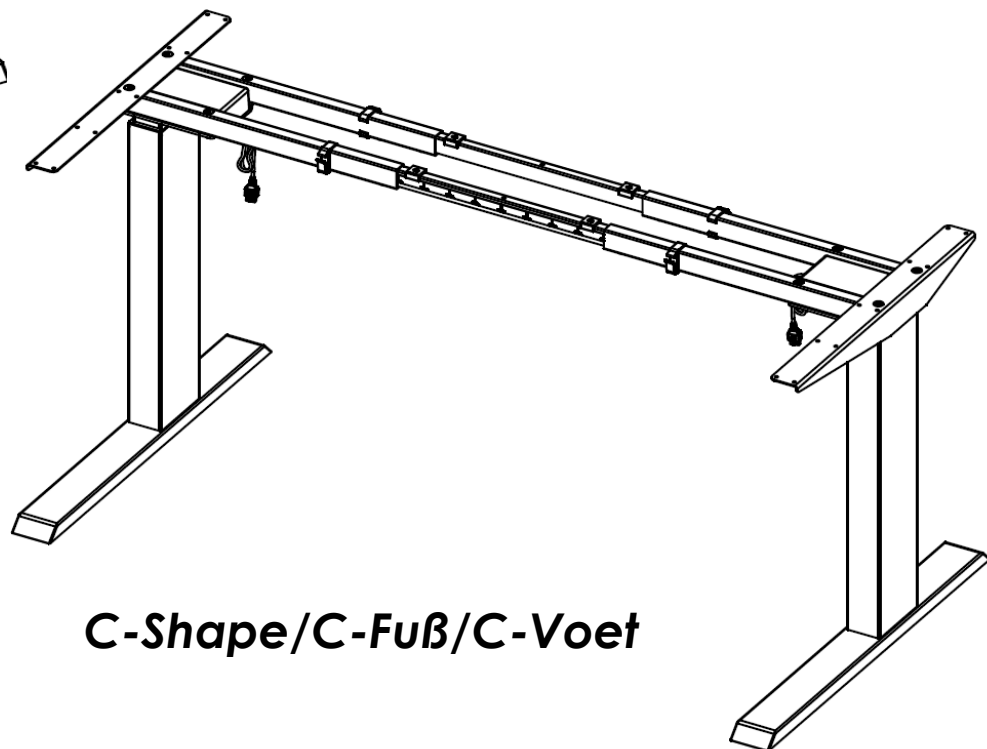
Nederlands

# STEELFORCE PRO SLS 1 STEP SERIES

170 / 370 / 570 (60x90)



***T-Shape/T-Fuß/T-Voet***



***C-Shape/C-Fuß/C-Voet***

## **Assembly Manual**

Read this manual thoroughly and store in a safe place.

## **Montageanleitung**

Bitte sorgfältig lesen und sicher aufbewahren.

## **Montagehandleiding**

Lees deze handleiding aandachtig door en bewaar deze goed.

SLS-1282003-4EN-DE-NL

# Content

<b>1</b>	<b>GENERAL</b> .....	<b>5</b>
1.1	Local value of the assembly/operating manual .....	5
1.2	Intended use .....	5
1.3	Improper use .....	5
1.4	Grounding Instruction.....	5
1.5	Danger .....	5
1.6	Content box .....	6-7
<b>2</b>	<b>SAFETY INFORMATION</b> .....	<b>8</b>
2.1	Symbols/warnings .....	8
2.2	Symbols used on the workstation frame .....	8
2.3	Maximum weight allowed on frame .....	8
2.4	Maximum weight allowed per column .....	8
2.5	Organizational measures .....	9
2.6	Informal safety measures .....	9
2.7	Note for those assembling the workstation .....	9
2.8	Transport and assembly .....	9
2.9	Use of the workstation frame .....	9
2.10	Specific dangers .....	9
2.11	In an emergency .....	9
2.12	Maintenance and upkeep .....	9
2.13	Cleaning .....	10
2.14	Persistent risks .....	10
<b>3</b>	<b>ASSEMBLY</b> .....	<b>11</b>
3.1	Pre-assembly of the Crossbars .....	11
3.1.1	Recommended Top Sizes .....	11
3.1.2	120 cm Frame Set-Up Guide .....	12
3.2	Mounting the Feet .....	13
3.3	Mounting the Crossbar .....	14
3.4	Mounting the Top Support .....	14-15
3.5	Adjustment of the Frame Width.....	15
3.6	Mounting the Spacer.....	16
3.7	Mounting the Cable Clips .....	16-17
3.8	Connecting the Electrical Components .....	18
3.9	Mounting the table top.....	19
3.10	Mounting the power supply underneath the table top .....	19
3.11	Mounting the Wire Clip .....	20-21
3.12	Clearance around the wall or moving parts 25mm of the table top .....	21
3.13	Frame Test without table top .....	22-23
<b>4</b>	<b>CORRECT POSITION OF SEAT</b> .....	<b>24</b>
<b>5</b>	<b>TECHNICAL SPECIFICATIONS</b> .....	<b>25-27</b>
<b>6</b>	<b>OPERATION AND INDICATORS</b> .....	<b>28</b>
6.1	Indicators .....	28
<b>7</b>	<b>TROUBLESHOOTING</b> .....	<b>28</b>
<b>8</b>	<b>CUSTOMER SERVICE</b> .....	<b>29</b>
<b>9</b>	<b>MANUFACTURER</b> .....	<b>29</b>
<b>10</b>	<b>RECYCLING</b> .....	<b>29</b>
10.1	Taking the workstation out of active duty .....	29
10.2	Taking the workstation apart .....	29
10.3	Recycling.....	29
<b>11</b>	<b>EU-DECLARATION OF CONFORMITY IN ANNEX II A</b> .....	<b>30</b>

# Inhaltsverzeichnis

<b>1</b>	<b>ALLGEMEINES.....</b>	<b>31</b>
1.1	Bedeutung der Betriebs- und Montageanleitung .....	31
1.2	Sachgemäße Verwendung.....	31
1.3	Sachwidrige Verwendung.....	31
1.4	Erdungsvorschrift.....	31
1.5	Gefahr .....	31
1.6	Lieferumfang.....	32-33
<b>2</b>	<b>SICHERHEITSHINWEISE .....</b>	<b>34</b>
2.1	Symbol- und Hinweiserklärungen .....	34
2.2	Verwendete Symbole am Tischgestell .....	34
2.3	Zulässiges Gesamtgewicht auf dem Tischgestell.....	34
2.4	Zulässiges Gesamtgewicht pro Säule .....	34
2.5	Organisatorische Maßnahmen .....	35
2.6	Empfohlene Sicherheitsmaßnahmen .....	35
2.7	Hinweise zur Montage.....	35
2.8	Transport und Montage .....	35
2.9	Benutzung des Tischgestells .....	35
2.10	Besondere Gefahrenstellen.....	35
2.11	Hinweise für den Notfall .....	35
2.12	Wartung und Instandhaltung .....	35
2.13	Reinigung .....	36
2.14	Restrisiken .....	36
<b>3</b>	<b>MONTAGE.....</b>	<b>37</b>
3.1	Vormontage der Traverse .....	37
3.1.1	Empfohlene Tischplattenmaße.....	38
3.1.2	Einstellung der Traversen auf 120 cm .....	39
3.2	Montage der Kufen .....	39
3.3	Montage der Traversen.....	40
3.4	Montage der Plattenträger .....	40-41
3.5	Einstellen der Gestellbreite.....	41
3.6	Montage der Abstandhalter .....	42
3.7	Montage der Kabelhalterungen.....	42-43
3.8	Anschließen der elektrischen Bauteile .....	44
3.9	Montage der Tischplatte .....	45
3.10	Montage des Netzteils unter der Tischplatte.....	45
3.11	Montage der Kabelclips .....	46-47
3.12	Sicherheitsabstand zur Wand oder beweglichen Teilen von 25 mm um die Tischplatte .....	47
3.13	Test und Inbetriebnahme ohne Tischplatte.....	48-49
<b>4</b>	<b>ERGONOMISCHE SITZEINSTELLUNG .....</b>	<b>50</b>
<b>5</b>	<b>TECHNISCHE SPEZIFIKATIONEN .....</b>	<b>51-53</b>
<b>6</b>	<b>BETRIEBSHINWEISE.....</b>	<b>54</b>
6.1	Fehlfunktionen.....	54
<b>7</b>	<b>FEHLERBEHEBUNG .....</b>	<b>54</b>
<b>8</b>	<b>KUNDENDIENST .....</b>	<b>55</b>
<b>9</b>	<b>HERSTELLER .....</b>	<b>55</b>
<b>10</b>	<b>ENTSORGUNG.....</b>	<b>55</b>
10.1	Außerbetriebnahme des Tischgestells .....	55
10.2	Tischgestell abbauen und ggf. zerlegen.....	55
10.3	Entsorgung .....	55
<b>11</b>	<b>EG-KONFORMITÄTSERKLÄRUNG NACH ANHANG II A .....</b>	<b>56</b>

<b>1</b>	<b>ALGEMEEN</b> .....	<b>57</b>
1.1	Het belang van de montage- en bedieningshandleiding .....	57
1.2	Beoogd gebruik .....	57
1.3	Onjuist gebruik.....	57
1.4	Aarding instructie.....	57
1.5	Gevaar.....	57
1.6	Inhoud verpakking .....	58-59
<b>2</b>	<b>VEILIGHEIDSINSTRUCTIES</b> .....	<b>60</b>
2.1	Verklaring van symbolen en instructies.....	60
2.2	Gebruikte symbolen op het frame.....	60
2.3	Maximaal toegestaan gewicht op het frame .....	60
2.4	Maximaal toegestaan gewicht per kolom .....	60
2.5	Organisatorische maatregelen .....	61
2.6	Informele veiligheidsmaatregelen .....	61
2.7	Vereisten aan de monteurs .....	61
2.8	Transport en montage.....	61
2.9	Gebruik van het frame.....	61
2.10	Specifieke gevaren.....	61
2.11	Instructies voor noodgevallen .....	61
2.12	Onderhoud en instandhouding .....	61
2.13	Reiniging .....	62
2.14	Overige risico's.....	62
<b>3</b>	<b>MONTAGE</b> .....	<b>63</b>
3.1	Voormontage van de crossbar .....	63
3.1.1	Aanbevolen bladmaat .....	63
3.1.2	120cm Frame instelling .....	64
3.2	Montage van de voeten .....	65
3.3	Montage van de crossbar .....	66
3.4	Montage van de bladdragers.....	66-67
3.5	Instellen van de frame-breedte.....	67
3.6	Montage van de afstandhouders.....	68
3.7	Montage van de kabelbinders.....	68-69
3.8	Aansluiten van de elektrische componenten .....	70
3.9	Montage van het werkblad.....	71
3.10	Montage van de handbediening.....	71
3.11	Montage van de kabelclips.....	72-73
3.12	Afstand van 25 mm tussen de muur of andere objecten en het werkblad .....	73
3.13	Frame test zonder werkblad.....	74-75
<b>4</b>	<b>CORRECTE ZITPOSITIE</b> .....	<b>76</b>
<b>5</b>	<b>TECHNISCHE SPECIFICATIES</b> .....	<b>77-79</b>
<b>6</b>	<b>BEDIENING EN GEBRUIKSAANWIJZINGEN</b> .....	<b>80</b>
6.1	Gebruiksaanwijzingen .....	80
<b>7</b>	<b>PROBLEEMOPLOSSINGEN</b> .....	<b>80</b>
<b>8</b>	<b>KLANTENSERVICE</b> .....	<b>81</b>
<b>9</b>	<b>FABRIKANT</b> .....	<b>81</b>
<b>10</b>	<b>RECYCLING</b> .....	<b>81</b>
10.1	Buitenbedrijfstelling van het frame.....	81
10.2	Demontage van het frame .....	81
10.3	Recycling.....	81
<b>11</b>	<b>EU-VERKLARING VAN OVEREENSTEMMING IN BIJLAGE II A</b> .....	<b>82</b>

## 1 General

### 1.1 Local value of the assembly/Operating Manual

The guiding principle for safe use and trouble-free operation of this workstation frame is knowledge of basic safety information and regulations. This assembly/operating manual contains the most important information needed for assembling and operating the workstation frame safely. This assembly/operating manual, in particular the safety information contained herein, must be observed by any person building the frame and working on the finished surface. More importantly, the rules and regulations applying to accident prevention in the locality in which the workstation frame is to be used must be observed at all times.

### 1.2 Intended use

The workstation frame must be used only as a height-adjustable workstation for sitting/standing use in offices or other enclosed areas. The frame must be used for this purpose only. Any other use than the above shall be deemed improper. The manufacturer can in no way be held liable for damage arising from improper use. This appliance can be used by children aged from 8 years and above and persons with reduced physical, sensory or mental capabilities or lack of experience and knowledge if they have been given supervision or instruction concerning use of the appliance in a safe way and understand the hazards involved. Children should be supervised to ensure that they do not play with the appliance, cleaning and user maintenance shall not be made by children without supervision.

Intended use shall also include:

- Observation of all information from the assembly/operating manual and
- Prohibition of any sort of addition to/conversion of the workstation.

### 1.3 Improper use

- Never use the workstation frame to lift people or loads.
- Do not exceed the maximum load of the workstation frame.
- Operate workstation only with power supply unit which is included in delivery.

### 1.4 Grounding Instruction (System with SMART/COMPACT Controller)

This workstation frame must be grounded. Connect this workstation frame to a properly grounded outlet only. If it should malfunction or breakdown, grounding provides a path of least resistance for electric current to reduce the risk of electric shock. This workstation frame is equipped with a cord having a grounding plug like the plug illustrated in Figure 1. The plug must be plugged into an appropriate outlet that is properly installed and grounded in accordance with all local codes and ordinances.

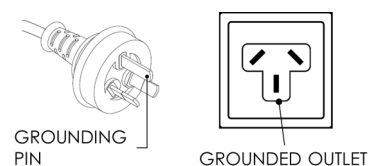


Figure 1

*This appliance incorporates an earth connection for functional purposes only.*

⊕ For protective earth, the terminal is intended to connect with equipotential bonding of building where the workstation frame is being setup. Terminals for the connection of external equipotential bonding conductors shall allow the connection of conductors having nominal cross-sectional areas of 2,5 mm<sup>2</sup> to 6 mm<sup>2</sup>.

### 1.5 Danger

Improper connection of the workstation frame grounding conductor can result in a risk of electric shock. Check with a qualified electrician if you are in doubt as to whether the product is properly grounded. Do not modify the plug provided with the product.

If the supply cord is damaged, it must be replaced by a special cord or assembly available from the manufacturer or its service agent.

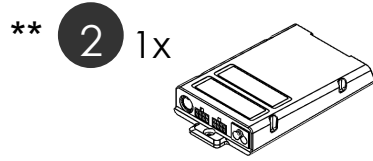
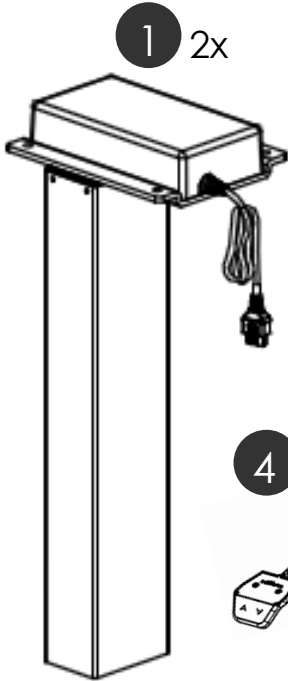
**WARNING: Any changes or modifications not expressly approved by the manufacturer could void the user's authority to operate the equipment.**

### 1.6 Content Box

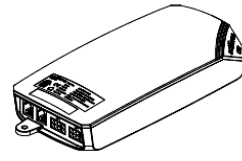


Assembly requires 2 people!

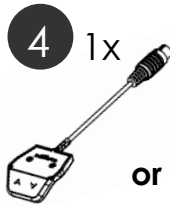
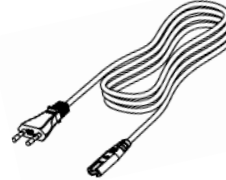
#### Items



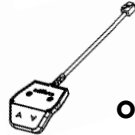
or



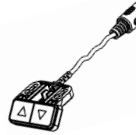
or



or



or



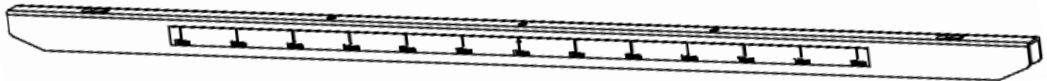
or



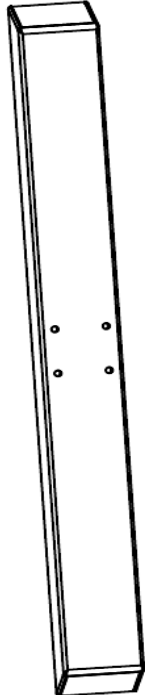
or



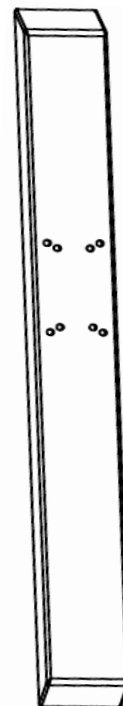
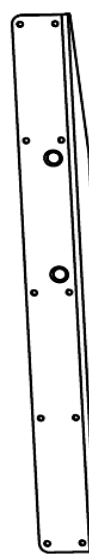
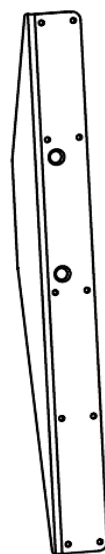
or

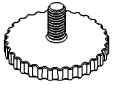
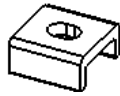
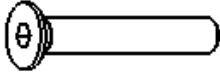


#### T-Shape



#### C-Shape

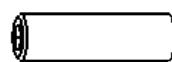


**Hardware Kit****A** 4x**B** 4x**C** 2x**D** 4x**E** 8x

M8x50

**F** 8x

M6x16

**G** 8x

M10x35

**H** 30x  
28x

4.5x20

**Tools**

\*\* Control Unit 2 (a) :

1. SMART-e-2-actiforce-EU : Input: 220-240Vac, 50-60Hz, 2.5A; Output: 288VA / 24V  $\overline{\overline{\overline{\quad}}}$ 2. SMART-e-2-actiforce-US : Input: 120Vac, 60Hz, 5A; Output: 216VA / 24V  $\overline{\overline{\overline{\quad}}}$ 

\*\* Control Unit 2(b) :



ControlForce 2 : Input: 100-120Vac, 60Hz, 5A max; Output: 24Vdc  $\overline{\overline{\overline{\quad}}}$  9.2A220-240Vac, 50Hz, 2A max; Output: 24Vdc  $\overline{\overline{\overline{\quad}}}$  5A

Table : 24VDC, 4A


## 2 Safety Information

### 2.1 Symbols/Warnings



The assembly/operating manual uses the following terms and signs to indicate dangers:

	This symbol indicates an immediate threatening situation for any person's life or health. Failure to adhere to such information may have serious consequences for health, or could even result in life-threatening injury or death.
	This symbol indicates important information. Failure to adhere to such information could lead to damage to the workstation.

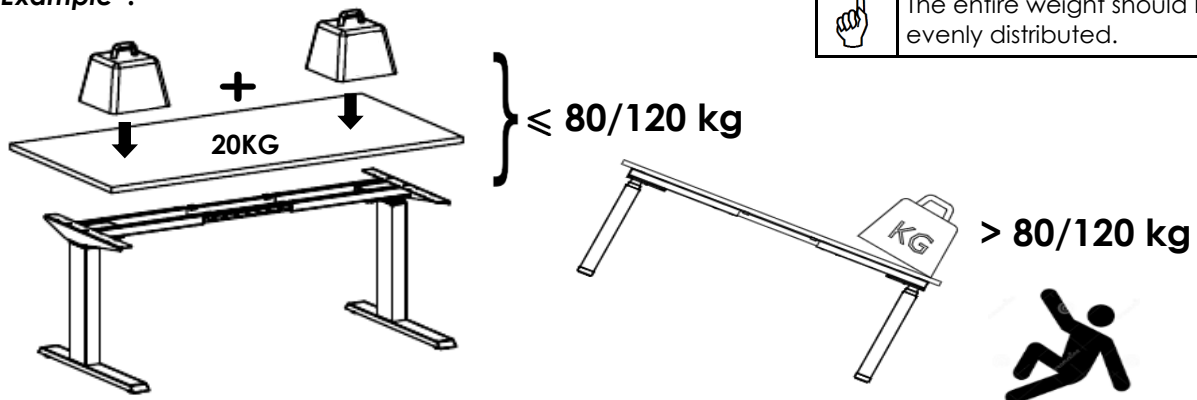
### 2.2 Symbols used on the workstation frame


	Do not place objects or parts of the body under the workstation frame or between the cross members. This could cause serious injury or even result in death.
---	--

### 2.3 Maximum weight allowed on frame


		Do not exceed the maximum permitted load of (a) 80 kg including table top (Smart-e-2) (b) 120 kg including table top (ControlForce 2) on the workstation frame. Avoid unbalanced load, distribute the weight evenly, otherwise overload may occur. Overloading a frame may cause breakage and close by individuals may suffer serious injuries as a consequence.
--	--	---

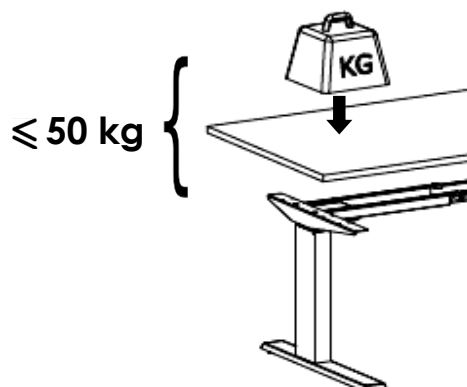
Example :



 The entire weight should be evenly distributed.

### 2.4 Maximum weight allowed per column

	Do not exceed the maximum permitted load of 50 kg (including table top) on a column. Overloading a frame may cause breakage and close by individuals may suffer serious injuries as a consequence.
---	--





### 2.5 Organizational measures

- The workstation frame can best be assembled by two people. Turning the frame, once the work surface has been fitted, is a task in particular which requires two people!

### 2.6 Informal safety measures

- Keep the assembly/operating manual in the place where the workstation frame is used at all times.
- Make sure that all safety information on the table (see Section 2.2, Symbols used on the workstation frame) is legible, replacing the same if necessary.

### 2.7 Note for those assembling the workstation

- The workstation must be assembled/worked on by persons over the age of 16.
- The persons referred to above must have read and understood the assembly /operating manual.

### 2.8 Transport and assembly

- The workstation frame must be moved by two persons only, and in such cases must be retracted.
- Do not drag or pull the workstation frame over the floor.
- Assemble the workstation frame with the supplied tools only. They are the only tools which ensure that the screws can be tightened to the correct torque.

### 2.9 Use of the workstation frame

- Do not allow children to use the workstation frame unsupervised. Children may be unaware of the dangers presented by the workstation frame. They would be in serious danger of injuring themselves, possibly even with fatal consequences. Further adjustment must then be impossible as a safeguard against use by children.
- The workstation frame must only be used in appropriate areas.
- Do not use the workstation frame on an uneven surface. In such conditions it will not be steady.
- Never exceed the maximum load on the workstation frame.

### 2.10 Specific dangers

- When adjusting the height of the frame there is danger of injury. Make sure that there is no-one else in the immediate surroundings of the frame.
- When assembling the workstation frame, make sure there is ample space to avoid collisions (i.e. inclination of roof, fixed objects, filing cabinets, waste-paper bins etc.) in all imaginable directions.
- Make sure there is ample space to avoid collisions if there are objects on the work surface such as computers or computer peripherals.
- Make sure there is clearance of at least 25 mm from all other furniture, all around the workstation frame.

### 2.11 In an emergency

- Stop using the workstation frame at once if you notice anything unusual (strange sounds etc.).
- Have the workstation frame repaired by specialists. Refrain from using the workstation frame until it has been successfully repaired.

### 2.12 Maintenance and upkeep

- The workstation frame and its components are low-maintenance items and need no special regular maintenance.
- Do not perform any repairs on the work surface or other components yourself.
- Do not alter the construction of the work surface or its frame.
- Any faulty components removed must be replaced with new, original components from the manufacturer. Use only original replacement parts made by the manufacturer. Have any such work carried out by a specialist, making reference to this Assembly/operating manual.

**2.13 Cleaning**

- Always unplug this workstation from the electrical outlet before cleaning.
- Dust the workstation frame once a week with a dry cloth.
- Clean the workstation frame with a damp cloth and a weak solution of cleaner once a fortnight.

**2.14 Persistent risks**

This workstation frame has been built to the state of the art and to recognized safety regulations. Nonetheless, its use may constitute a risk to the health and safety of users or third parties, damage to the workstation frame or to other items. The workstation frame must be used only:

- for the purpose for which it was intended.
- if it is completely safe to do so.

### 3 Assembly



Before attempting assembly, read the Safety Information in Section 2.

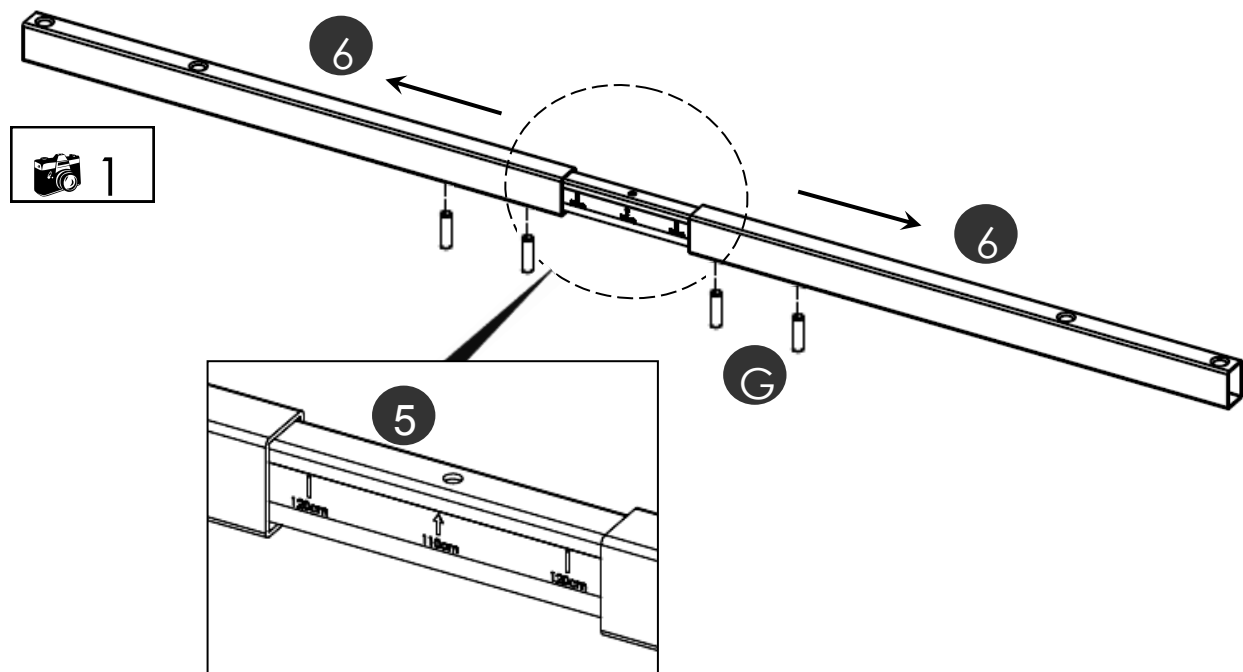


To protect components and the floor from scratches, it is advisable to use a pad before assembly. You can, for example, use the supplied cardboard by unfolding it.

#### 3.1 Pre-assembly of the Crossbars

##### 3.1.1 Recommended Top Sizes

Frame set-up	Width / size table top	Depth / size table top	Table Top Thickness
110 cm	120 cm	80 cm	2.5 cm
130 cm	140 cm	80 cm	2.5 cm
150 cm	160 cm	80 cm	2.5 cm
170 cm	180 cm	80 cm	2.5 cm



Do not tighten the set screws on the crossbars yet !

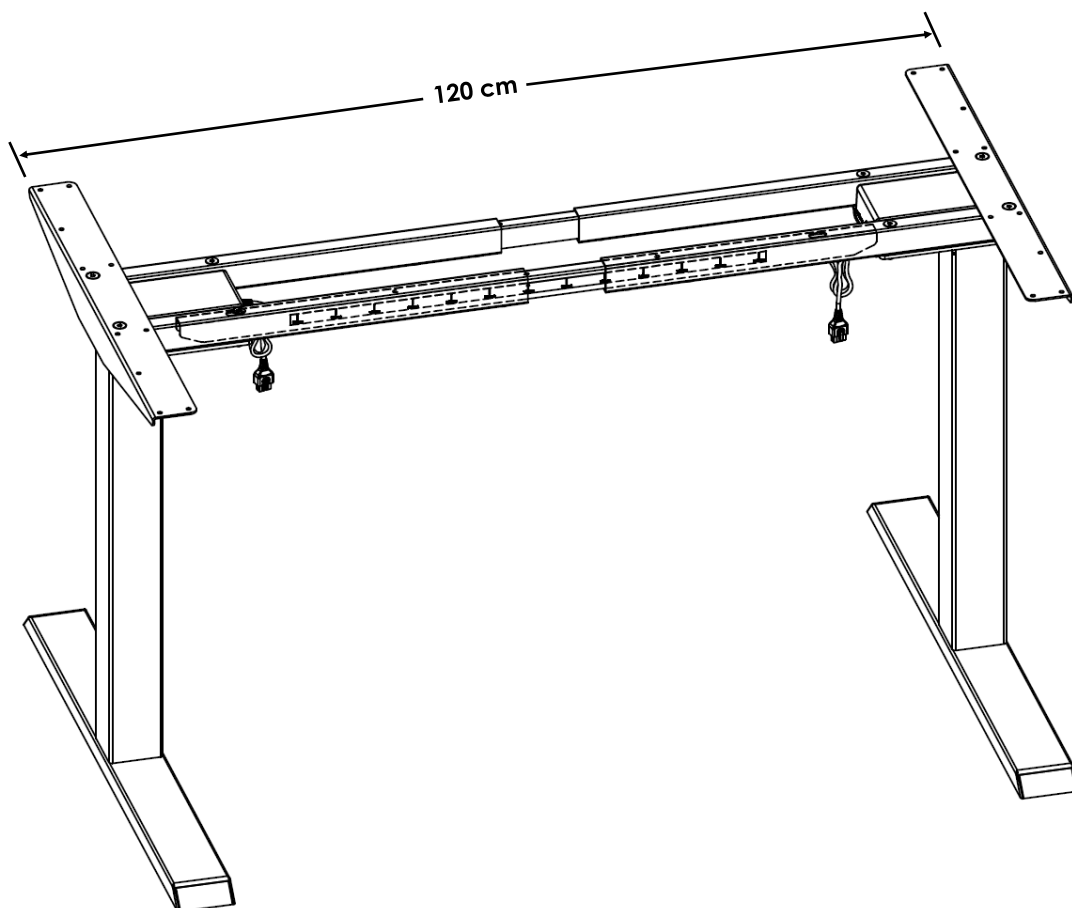
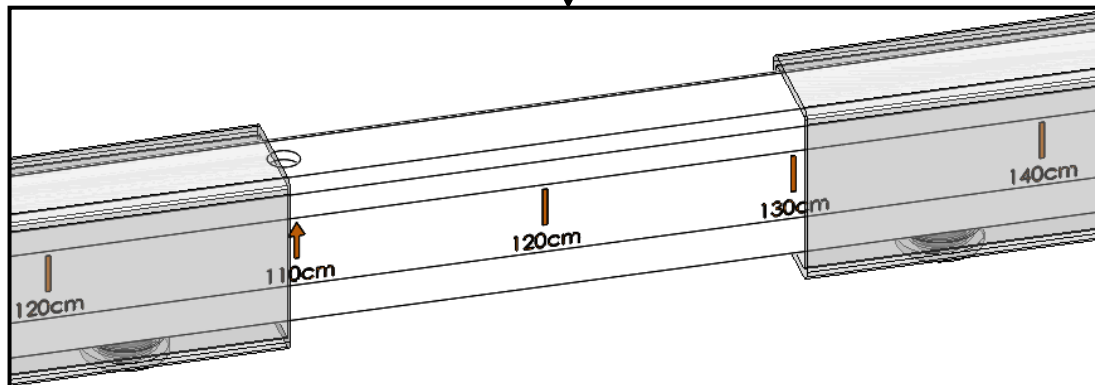
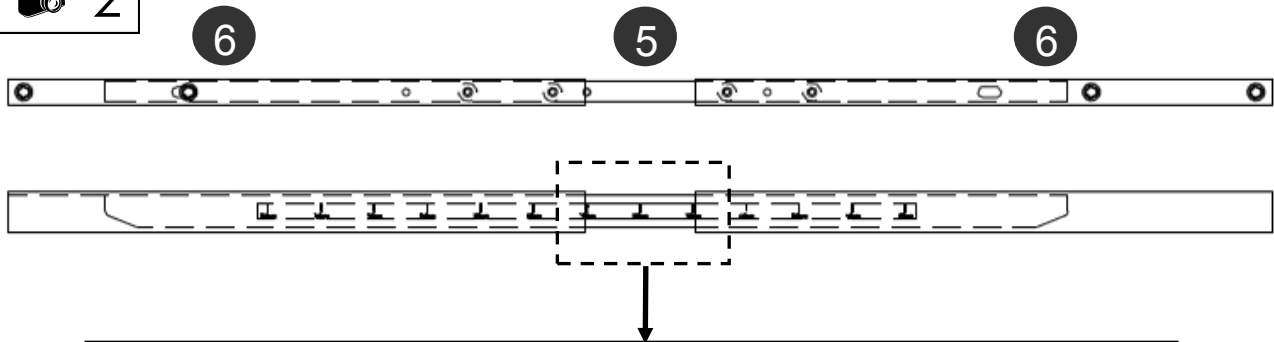
## 3.1.2 120 cm Frame Set-Up Guide



120 cm Frame set-up - offset the inner crossbar to 110 cm and 130 cm as shown in diagram below.



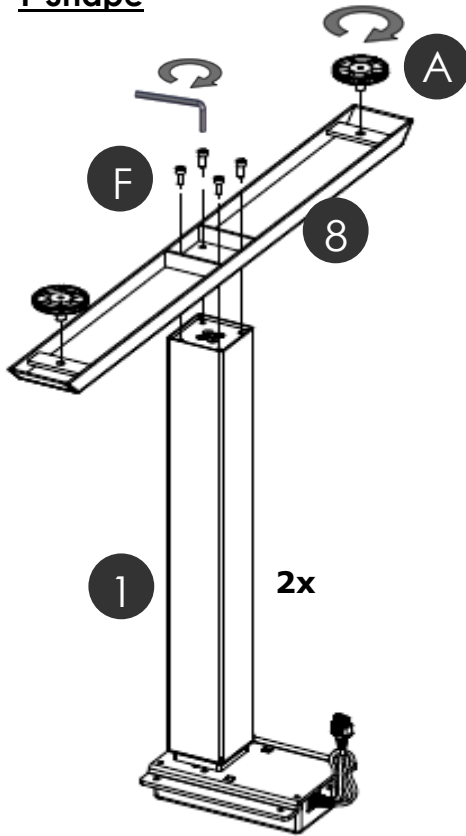
2



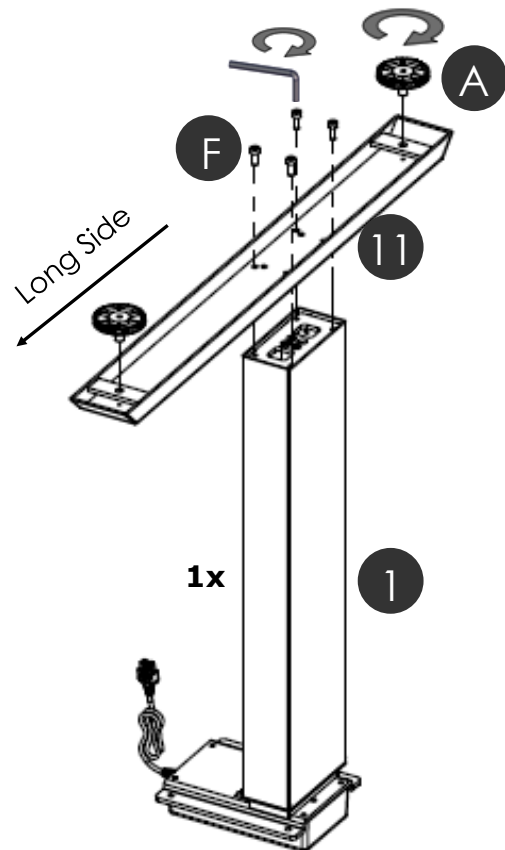
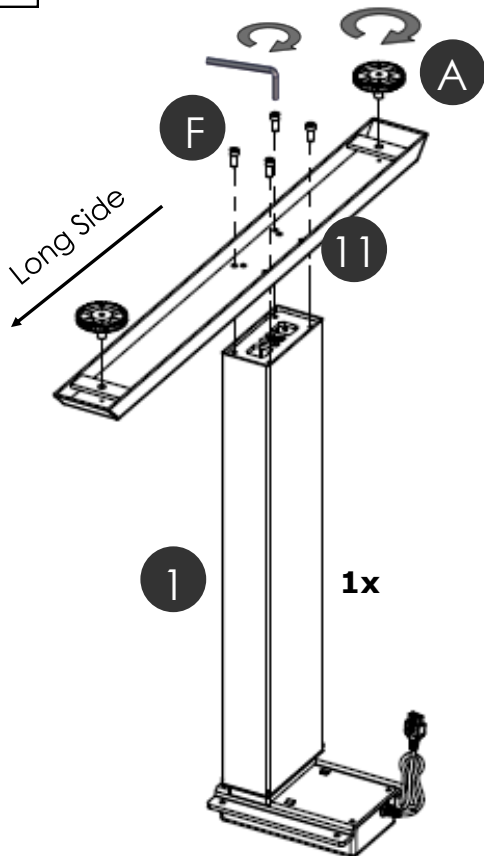
### 3.2 Mounting the Feet



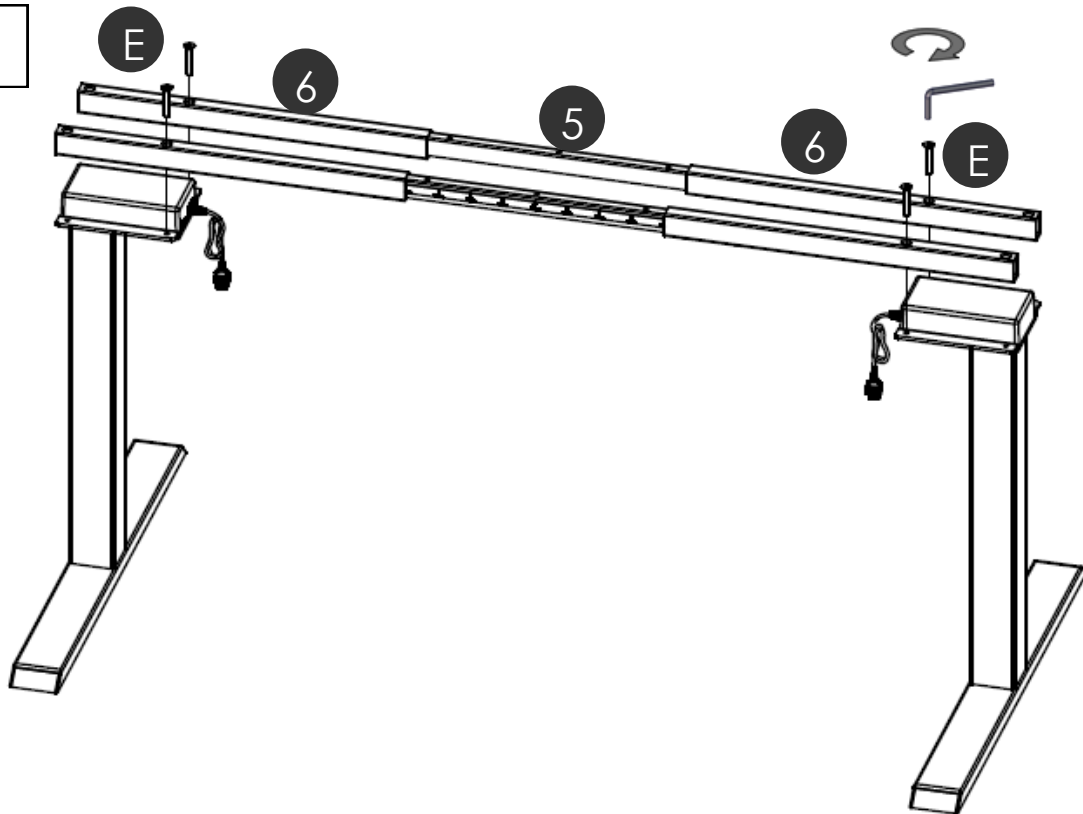
#### T-Shape



#### C-Shape



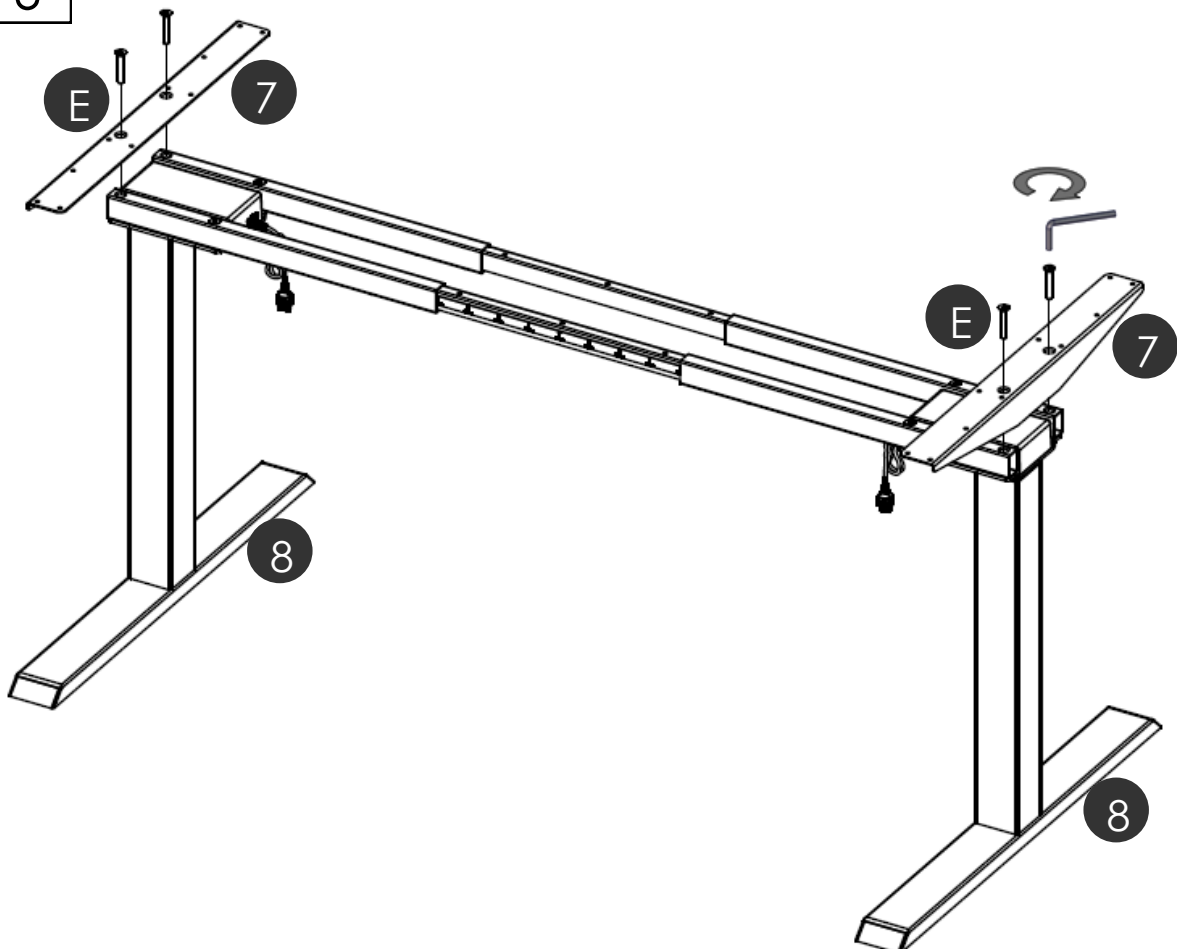
### 3.3 Mounting the Crossbar

 5

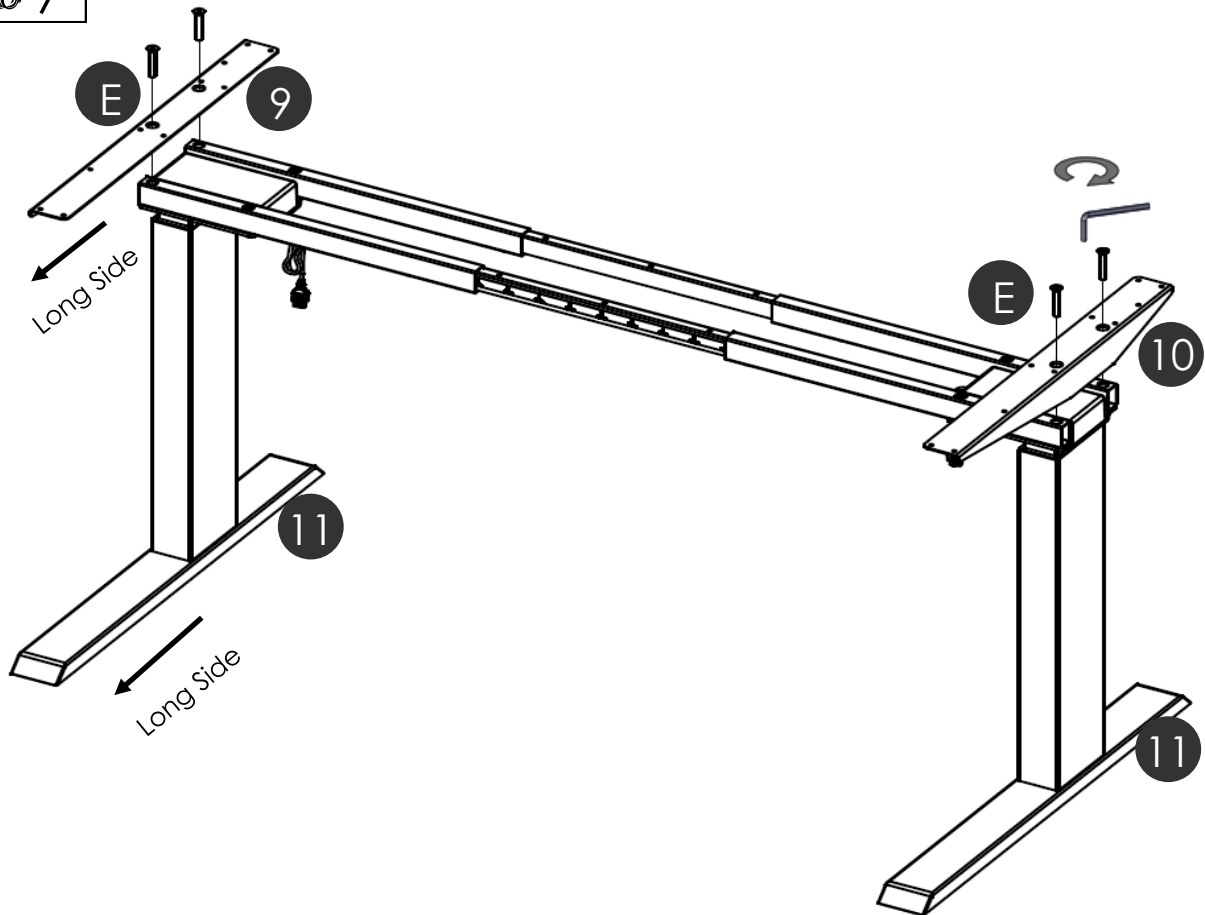
### 3.4 Mounting the Top Support

 6

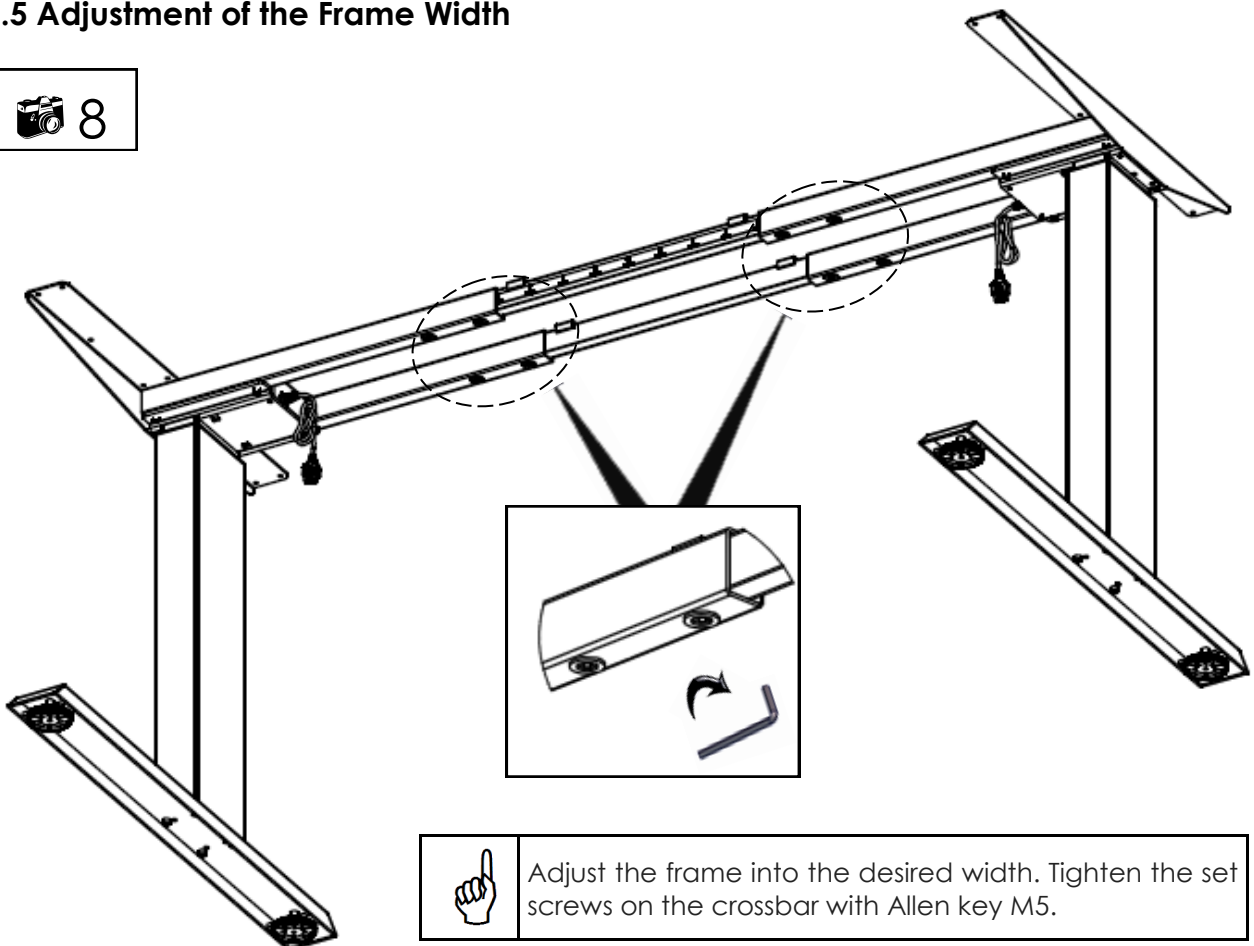
T-Shape



7

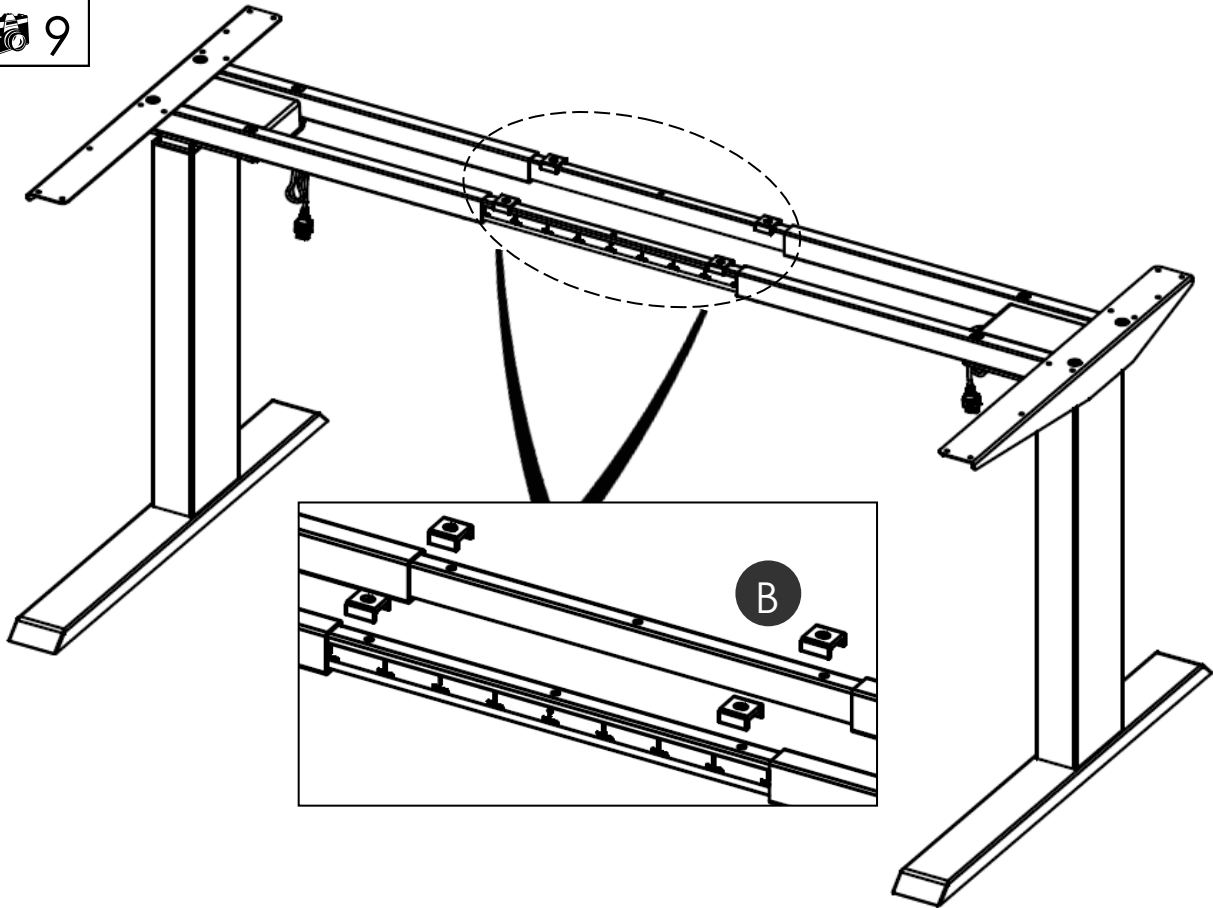
**C-Shape****3.5 Adjustment of the Frame Width**

8

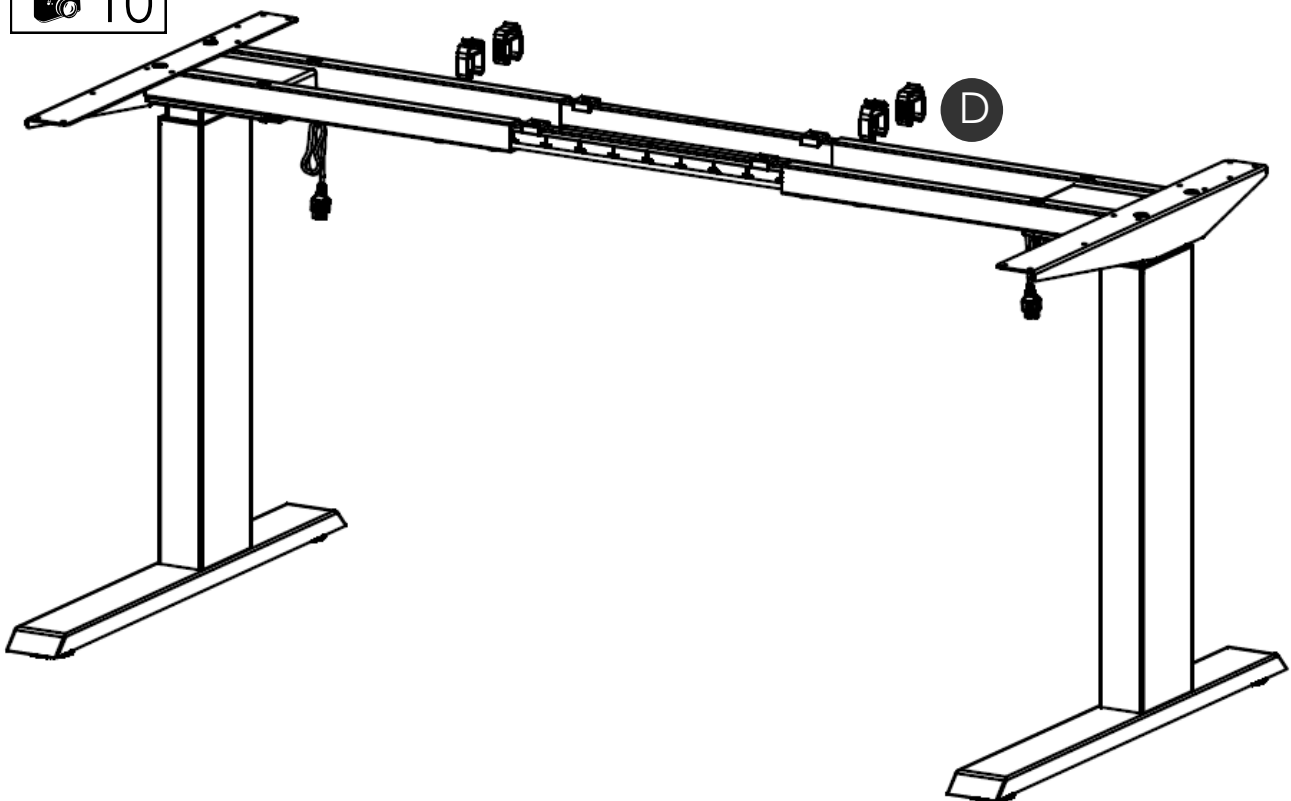


Adjust the frame into the desired width. Tighten the set screws on the crossbar with Allen key M5.

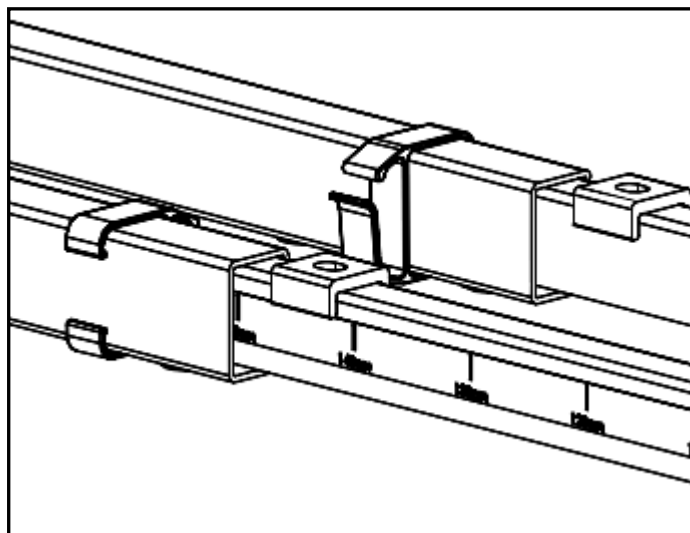
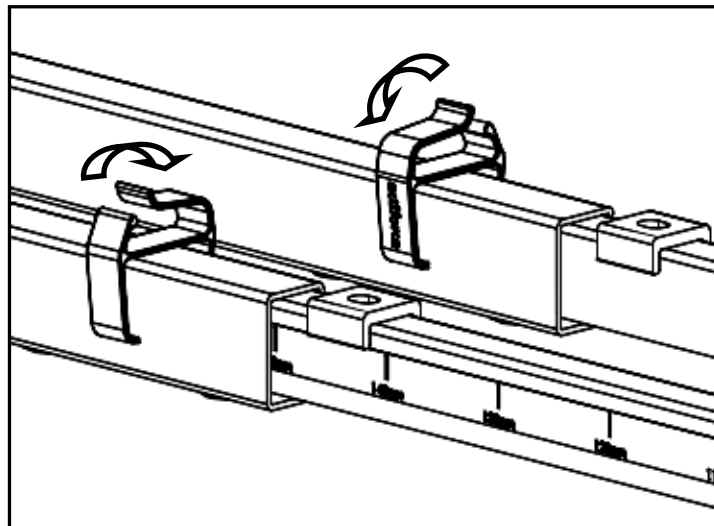
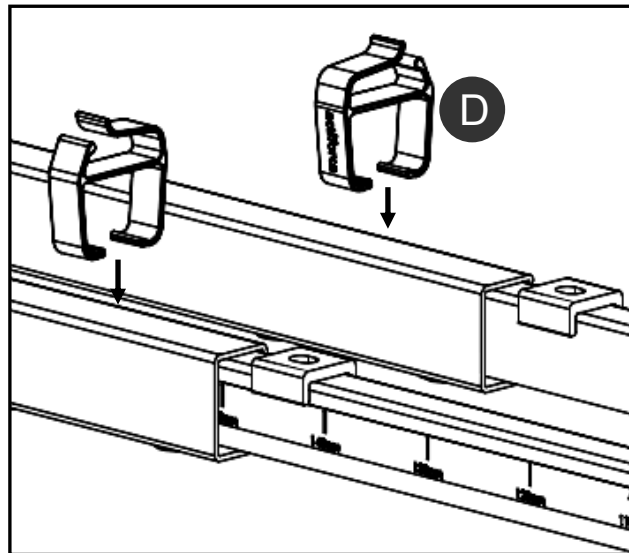
### 3.6 Mounting the Spacer

 9

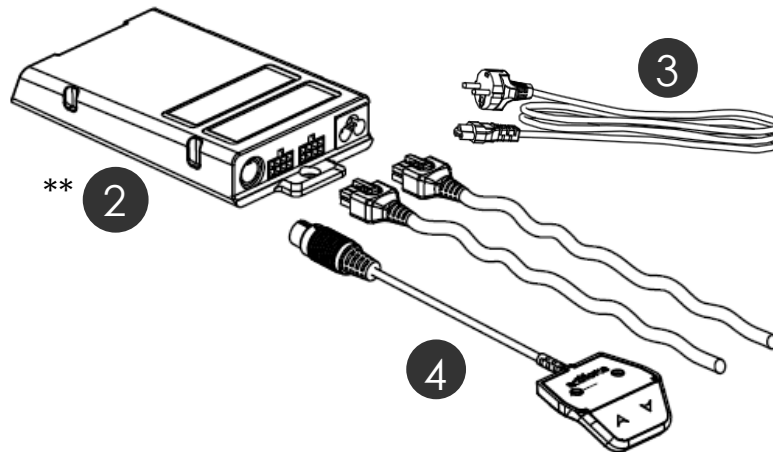
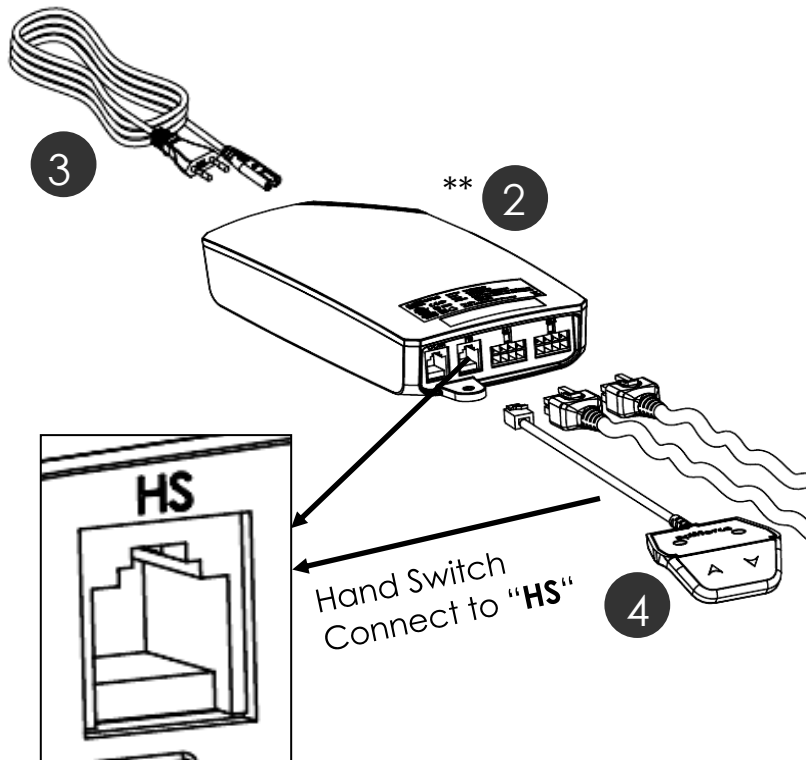
### 3.7 Mounting the Cable Clips

 10





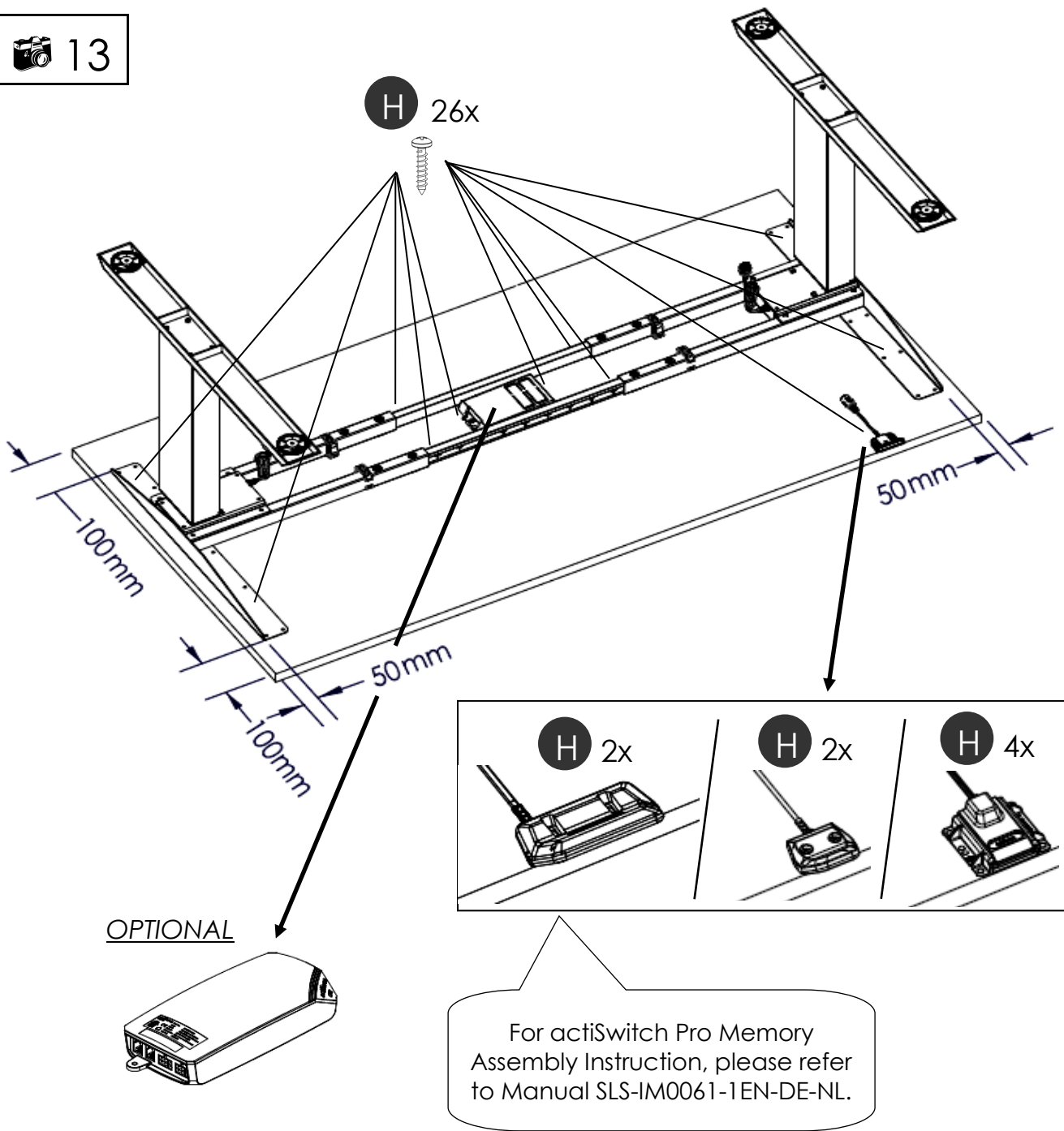
## 3.8 Connecting the Electrical Components

 12
OPTIONAL

Keep in mind that the desk which you are assembling is height adjustable. The cables of the electrical components must be able to freely follow the movement of the desk.

### 3.9 Mounting the table top

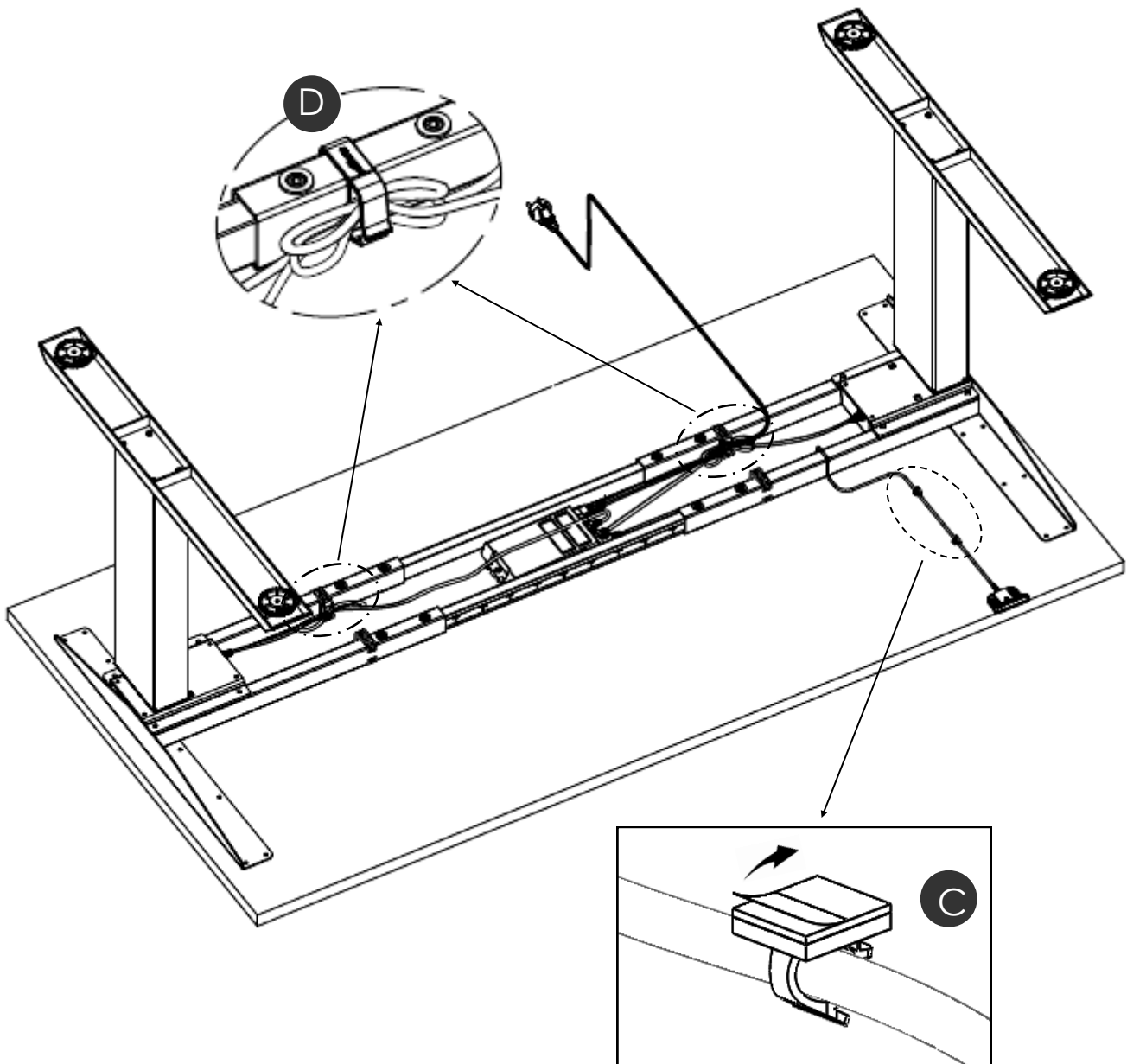
### 3.10 Mounting the power supply underneath the table top



### 3.11 Mounting the Wire Clip

 14

Bond loss cable together with cable tie.

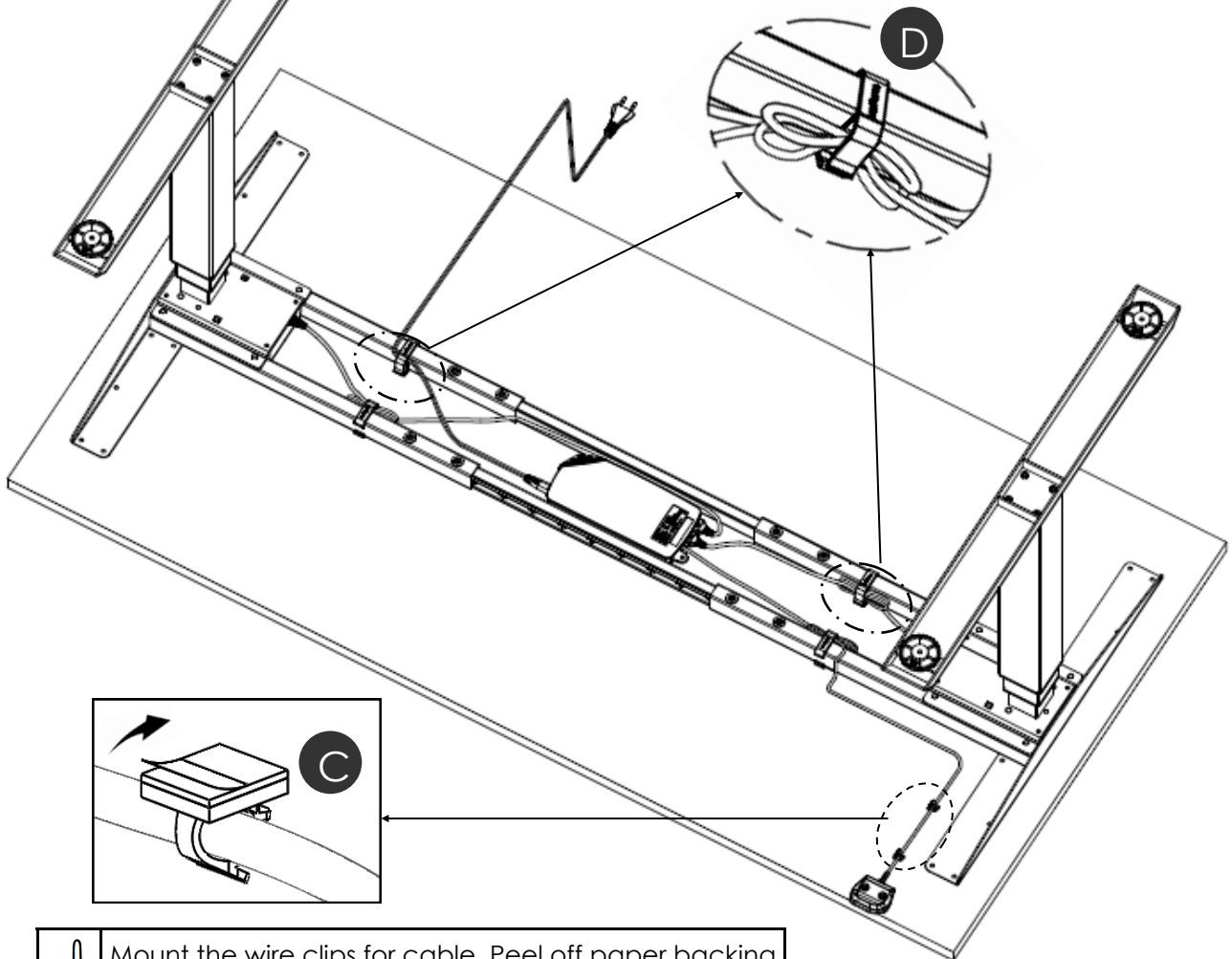


Mount the wire clips for cable. Peel off paper backing and stick to table top. Place wire into each wire clip.

## OPTIONAL

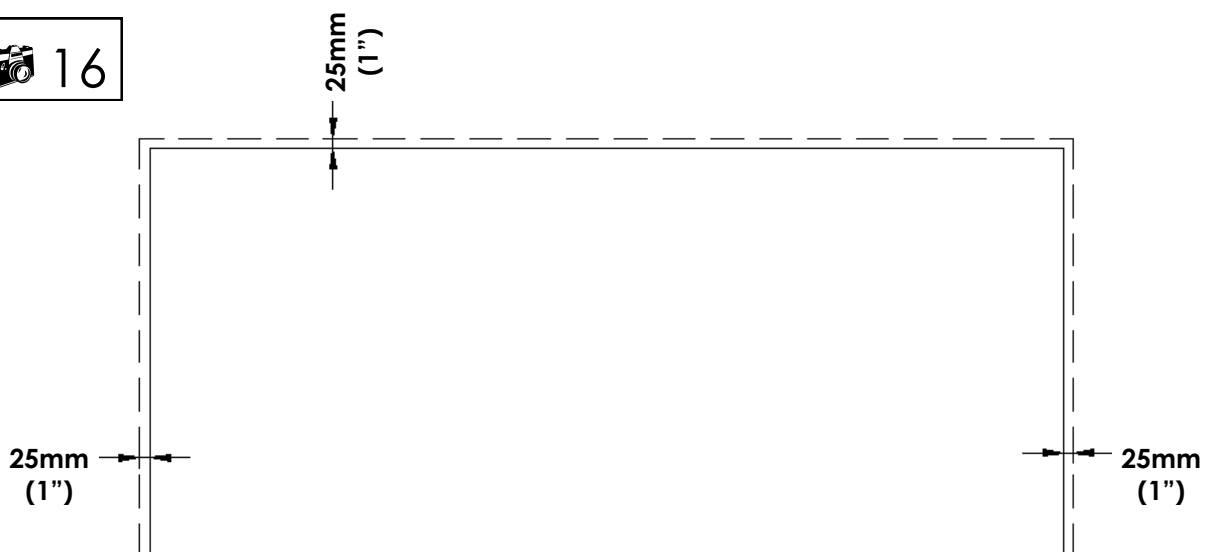
 15


Bond loose cable together with cable tie.






Mount the wire clips for cable. Peel off paper backing and stick to table top. Place wire into each wire clip.

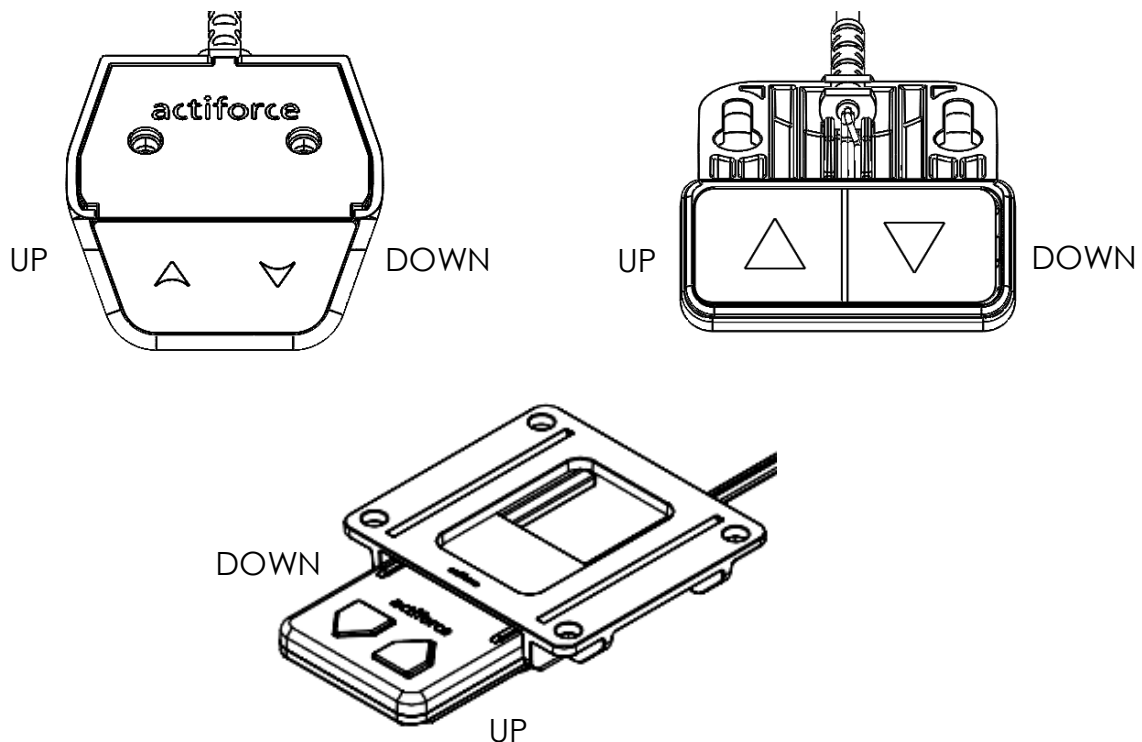
### 3.12 Clearance around the wall or moving parts 25mm of the table top

 16


Allow a minimum clearance of 25mm from the edge of a table top to a wall or moving parts.

### 3.13 Frame test without table top

	Please make sure that the workstation frame can move freely and correct at all times.
	In case you need to disconnect cables from the electrical components always be sure to disconnect power first.
	In case the height adjustment is not operating normally, stop using the workstation frame immediately and disconnect the power. Get in contact with customer service for further advise

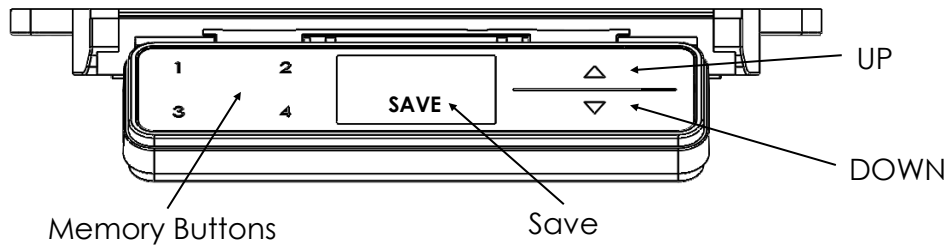


#### Reset Mode

The first time you put in the plug of the power supply into the socket the height adjustment can only be operated in the reset-mode. As long as the reset-mode is enabled, the system can only move downward. In order to use the system normally, please follow the next steps:

- Press and hold the down-button, the system slowly moves downward.
- Please move the system to the lowest position. This position will be used as reference-point (zero-point).
- Keep the button pressed for a moment when the system has reached the lowest position. This will end the reset-mode.
- The system can be operated normally now. Press and hold the up- or down-button to move the system to the desired height. The system stops when you release the buttons.

## Functions of the Memory Master (Optional)



### UP/DOWN

Press and hold these buttons to adjust height into a desired position. If you release the button the height adjustment will stop.

### Saving a preferred height position

Adjust the frame to a desired position. Press SAVE.

The display will show:



Immediately press one of the memory buttons, The display “-” will be replaced by the number of the button you have chosen. Two seconds later the power supply will confirm the setting with a double click sound.

### Memory Buttons

Press and hold these buttons to adjust height into a preferred position. When you release the button the height adjustment will stop. When the frame reaches the preferred position the height adjustment will slow down and stop.

### Changing displayed height

This function only changes the displayed height but not the actual height. Press SAVE once.

As soon as the display shows:



Press and hold DOWN until the displayed height blinkingly reappears. You can now change the value by pressing UP or DOWN. To conclude this process simply press save.

### Reset Mode

The first time you put in the plug of the power supply into the socket the height adjustment can only be operated in the reset-mode. As long as the reset-mode is enabled, the system can only move downward. In order to use the system normally, please follow the next steps:

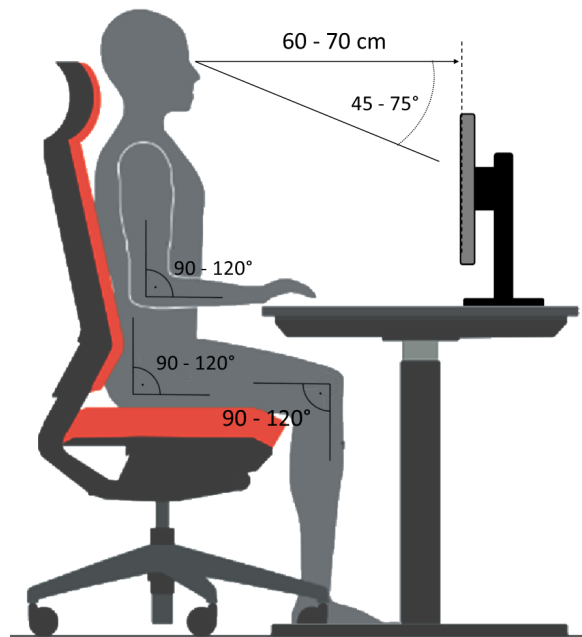
- Press and hold the down-button, the system slowly moves downward.
- Please move the system to the lowest position. This position will be used as reference-point (zero-point).
- Keep the button pressed for a moment when the system has reached the lowest position. This will end the reset-mode.
- The system can be operated normally now. Press and hold the up- or down-button to move the system to the desired height. The system stops when you release the buttons.

### System restart—initializing the reset-mode

In order to initialize reset it is generally necessary to lower the frame to its lowest position.

- Press “down-” buttons (about 10 seconds) until the sound “click” is heard.
- Proceed with the “Reset-mode” instructions listed above.

## 4 Correct position of seat



### Correct sitting posture

Sitting incorrectly can lead to injuries at joints, bowstrings and muscles. In order to prevent this it is necessary to adjust your office chair and desk.

Apart from the following advise you should always prevent an uncomfortable sitting posture. If you feel that the following advices leads you to an uncomfortable sitting posture simply adapt your needs.

### Office Chair

- The sitting height has to be adjusted in way that your knee is angled by 90-120° when your foot is flat on the ground.
- Sitting properly requires that your lower back touches the back rest. If possible align the seating depth in order to avoid pressure from the seat pan to your lower leg.
- Sit upright but lean back in a relaxed position. If possible adjust the lumbar support of your chair to your height. Adjust the back rest in a way that pushes your upper body slightly forward but still offering enough flexibility to yield movement.
- If possible adjust the height of your armrests. Your shoulders should be in a relaxed position when your arms are touching the arm rest.

### Desk

- Adjust the table height after you have found your correct sitting posture.
- Your elbows should be angled by 90-120° when your arms rest on the table top. The edge of the top should not press against your arms.

### Equipment on the desk

- Incident light (day light or lamps) on your monitor should approach the surface of your screen by an angle of 90°.
- The height of your monitor should be adjusted in way that enables you to look slightly downward while focusing the center of your screen.
- Please keep a distance of 60-70 cm from your screen.
- A careful posture for your wrists can be achieved by a flat narrowed keyboard.
- **Please heed the advice in the manuals of your further (ergonomical) equipment.**



## 5 Technical Specification

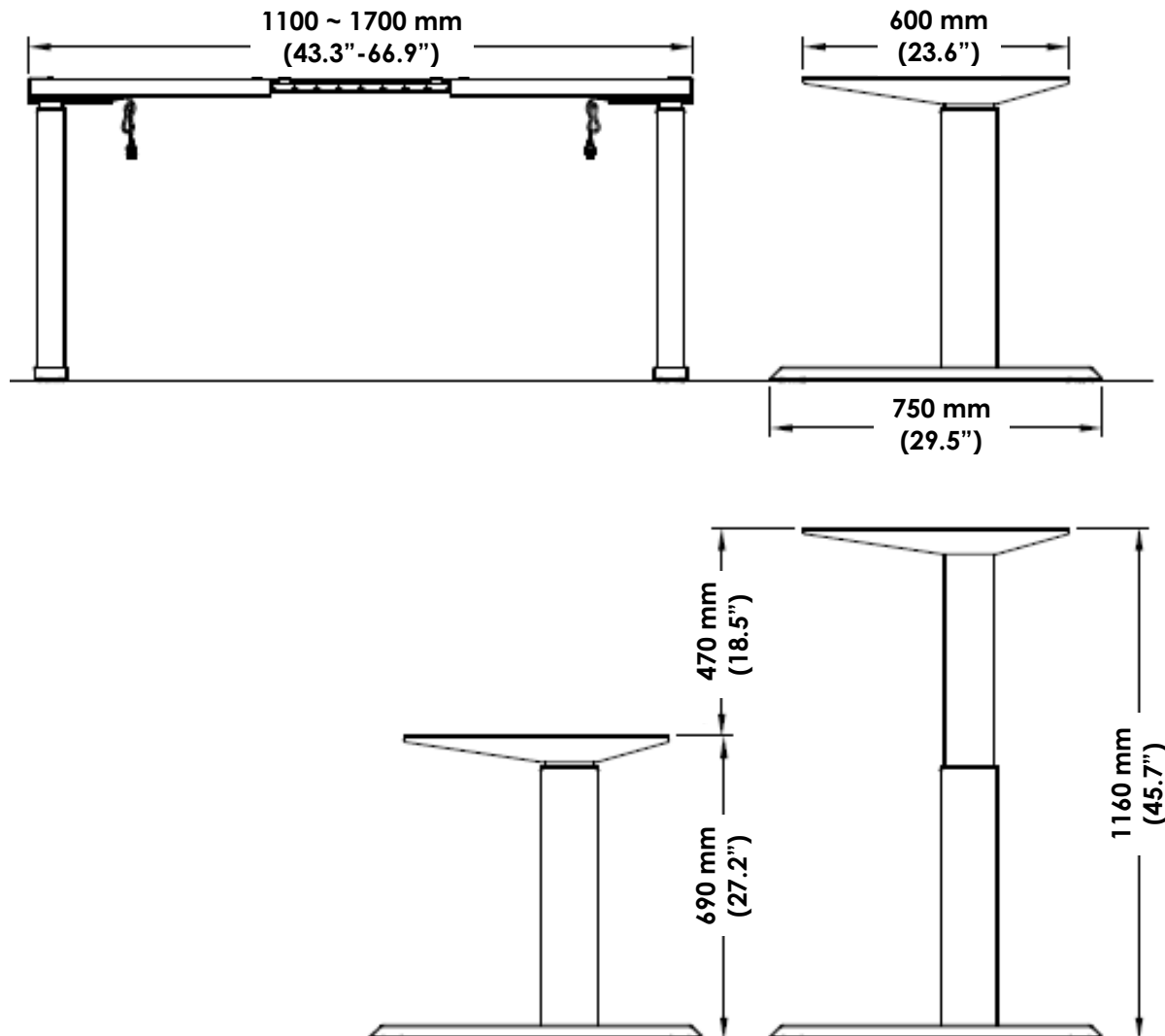
Assembly Manual version	SLS-1282003-4EN-DE-NL
Year of construction	2020
Production country	Malaysia
System	1-step
Material	Steel, Aluminium and Plastic
Stroke (max.) I. Steelforce Pro 170 SLS II. Steelforce Pro 370 / 570 (60x90) SLS	I. 470mm (18.5") II. 490mm (19.3")
Frame load (max.) I. SMART-e-2 II. ControlForce 2	I. 80 kg II. 120kg
Frame weight I. Steelforce Pro 170 SLS II. Steelforce Pro 370 SLS III. Steelforce Pro 570 (60x90) SLS	I. ± 32 kg II. ± 28.5 kg III. ± 28 kg
Speed frame load	± 39 mm/s
Input power I. SMART-e-2-actiforce-EU II. SMART-e-2-actiforce-US III. ControlForce 2	I. 220-240Vac, 50-60Hz, 2.5A II. 120Vac, 60Hz, 5A III. 100-120Vac, 60Hz, 5A max 220-240Vac, 50Hz, 2A max
Duty cycle	10 % (2 Minute on / 18 Minutes off)
Noise level	< 50 dB(A)
Environmental temperature Use	15 - 30°C
Environmental temperature Storing	10 - 50°C
Humidity Use	<85%
Humidity Storing	<50%
Maximum Storing time	-
Indoor use only!!!	

## 5 Technical Specification

(\* General Tolerance =  $\pm 10$  mm)

### **Steelforce Pro 170 SLS**

(T-Shape & C-Shape)

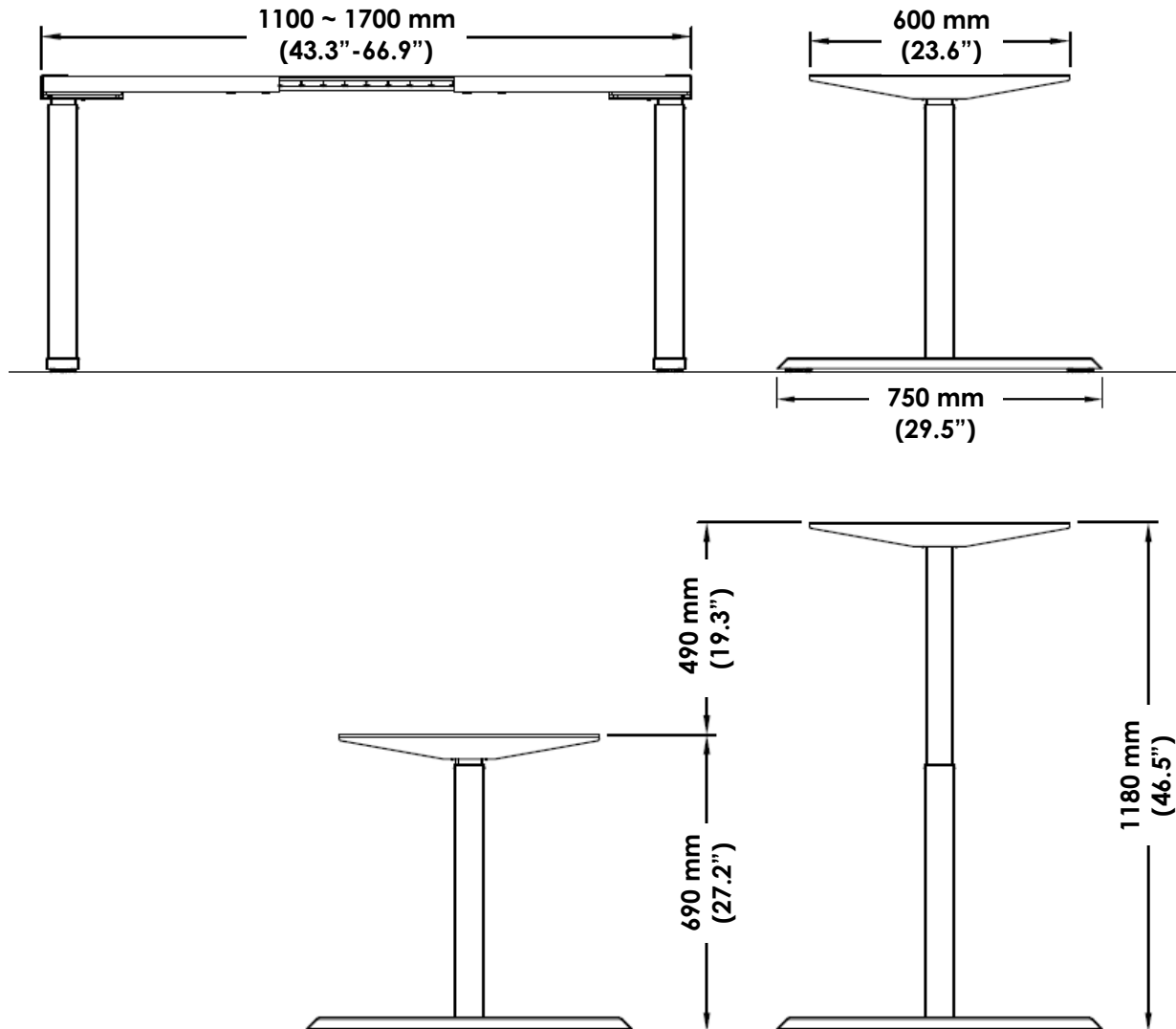


Minimum Frame Height	690mm	(27.2")
Maximum Frame Height	1160mm	(45.7")
Maximum Stroke	470mm	(18.5")
Frame Width	1100-1700mm	(43.3"-66.9")
Frame Depth	750mm	(29.5")
Minimum Table Top Depth	600mm	(23.6")
Maximum Frame Load	80 / 120 kg	

(\* General Tolerance =  $\pm 10$  mm)

## **Steelforce Pro 370 / 570 (60x90) SLS**

(T-Shape & C-Shape)



Minimum Frame Height	690mm	(27.2")
Maximum Frame Height	1180mm	(46.5")
Maximum Stroke	490mm	(19.3")
Frame Width	1100-1700mm	(43.3"-66.9")
Frame Depth	750mm	(29.5")
Minimum Table Top Depth	600mm	(23.6")
Maximum Frame Load	80 / 120 kg	

## 6 Operation and Indicators



Observe the provisions of Section 2, Safety Information on page 7, in particular:

Do not leave children unsupervised with the workstation frame. Children may be unaware of the dangers presented by the workstation frame. They would be in serious danger of injuring themselves, possibly even with fatal consequences.

Do not exceed the maximum time lag of the workstation frame. Make sure there is ample space to avoid collisions if there are objects on the work surface such as computers or computer peripherals.

### 6.1 Indicators



Leave the immediate surroundings of the workstation frame at once if it starts to move spontaneously. Under no circumstances attempt to operate the workstation frame.

Stop using the workstation frame at once if you notice anything unusual (strange sounds, smoke, etc.).

Have the workstation frame repaired by specialists. Refrain from using the workstation frame until it has been successfully repaired.

Stop using the workstation frame at once if its safety features fail to work as they should.

## 7 Troubleshooting

Problem	Possible cause	Solution
Height adjustment does not work.	Cables or connectors defective.	Check cables for damages and if necessary replace them. Power in order?
Height adjustment does not work.	If cables and connectors have been checked a possible cause could be a defective up-down switch.	Replace up-down switch.
Height adjustment does not work.	Error in power supply.	Initialize reboot.

**If your problem couldn't be solved or is not listed here, please contact your customer service for further advise.**

## 8 Customer Service

Make sure you have the workstation frame information at hand when contacting the customer service.

Retailer :

## 9 Manufacturer

### **Actiforce International B.V.**

Het Steenland 20  
3751 LA Bunschoten-Spakenburg  
The Netherlands

+31 (0)33 4600120  
[www.actiforce.com](http://www.actiforce.com)  
[info.holland@actiforce.com](mailto:info.holland@actiforce.com)

## 10 Recycling

### 10.1 Taking the workstation out of active duty

- Pull the power plug out of the electricity socket.

### 10.2 Taking the workstation apart

- In case of de-assembling please follow the manual backwards or contact customer service.

### 10.3 Recycling

- Please split all parts to their type of material. Keep notice of National restrictions!

## 11 EU-Declaration of Conformity in annex II A

We herewith confirm that the appliance as detailed below complies with the governing EU-directives (in particular with those directives mentioned below) and bulk production will be manufactured accordingly.

<b>Article description:</b>	<b>Steelforce Pro 170 SLS, Steelforce Pro 170 C-Shape SLS, Steelforce Pro 370 SLS, Steelforce Pro 370 C-Shape SLS, Steelforce Pro 570 (60x90) SLS, Steelforce Pro 570 (60x90) C-Shape SLS</b>		
<b>Article number:</b>	<b>SLS12200*00***, SLS12802*00***, SLS28000*00***, SLS28S02*00***, SLS46300*00***, SLS46T02*00***</b> <i>The 1st symbol "*" can be 0 (Touch-Basic), 1 (Touch-FX), 4 (Pro-Basic), 5 (Eco-Basic Slide), 8 (Pro-Basic RJ11), 9 (Eco-Basic Slide RJ11) or A (actiSwitch Pro Memory). The 2nd symbol "*" can be 2 (Smart-2-EU), 3 (Smart-2-EU) or 7 (Controllforce 2). The 3rd symbol "*" can be 11, 18, 29, 30, 78, 82, 83, 90, 94 and etc. The 4th symbol "*" can be EU, NL, DE, DK, US, GB, WE, MY, CH and etc.</i>		
<b>Model:</b>	<b>Spindle Lift System</b>		
<b>Technical data:</b>	Width	:	1100 mm – 1700 mm
	Height <b>(170 SLS)</b>	:	690 mm - 1160 mm
	Height <b>(370 / 570 (60x90) SLS)</b>	:	690 mm - 1180 mm
	Depth	:	750 mm
	System	:	1 step, electromotive
	Material	:	Steel, plastic and aluminium
	Max. load	:	80.0 /120.0 kg

### Governing EU-directives :

**Electromagnetic Compatibility (2014/30/EC) ,  
Low Voltage Directive (2006/95/EC; from 04.20.2016 this number 2014/35/EU)**

### Harmonised EN-Standards and general standards

#### 170 / 370 SLS with Smart

IEC 60335-1	47 CFR FCC Part 15 Subpart B (2016)	ICES-003 Issue 6 January 2016
UL962	AS/NZS 60335.1	

#### 570 (60x90) SLS with Smart

UL962	47 CFR FCC Part 15 Subpart B (2016)	ICES-003 Issue 6 January 2016
IEC60335-1		

#### 170 / 370 / 570 (60x90) SLS with CF2

UL962	47 CFR FCC Part 15 Subpart B (2016)	ICES-003 Issue 6 January 2016
-------	-------------------------------------	-------------------------------

**The article complies with the standards as mentioned below which are necessary to obtain the CE-symbol:**

#### 170 SLS with Smart

EN 61000-3-2	EN 61000-3-3	EN 55014-1	EN 55014-2	EN 55032	EN 55024
EN 60335-1	EN 62233				

#### 370 SLS with Smart



EN 61000-3-2	EN 61000-3-3	EN 55014-1	EN 55014-2	EN 55032
EN 55024	EN 60335-1	EN 62233		

#### 570 (60x90) SLS with Smart

#### 170 / 370 / 570 (60x90) SLS with CF2

EN 61000-3-2	EN 61000-3-3	EN 55014-1	EN 55014-2	EN 60335-1	EN 62233
--------------	--------------	------------	------------	------------	----------

**Actiforce International BV**  
**Het Steenland 20**  
**3751 LA Bunschoten-Spakenburg**  
**Niederlande**

**Importer / distributor**

## 1.1 Stellenwert der Montage-/Bedienungsanleitung

Das Grundprinzip für den sicheren Einsatz und den störungsfreien Betrieb dieses Arbeitsstationsgestells ist die Kenntnis der grundlegenden Sicherheitshinweise und -vorschriften. Die Montage-/Bedienungsanleitung beinhaltet die wichtigsten Informationen, die zur sicheren Montage und Bedienung des Arbeitsstationsgestells benötigt werden. Diese Montage-/Bedienungsanleitung, insbesondere die darin enthaltenen Sicherheitshinweise, sind von jeder Person zu beachten, die das Gestell aufbaut und an der fertigen Oberfläche arbeitet. Noch wichtiger ist, dass die Regeln und Vorschriften zur Unfallverhütung an dem Ort, an dem das Arbeitsstationsgestell verwendet werden soll, stets eingehalten werden.

## 1.2 Verwendungszweck

Das Arbeitsstationsgestell darf nur als höhenverstellbarer Arbeitstisch für den Sitz-Steh-Einsatz in Büros oder anderen geschlossenen Räumen verwendet werden. Das Gestell darf nur für diesen Zweck verwendet werden. Jede andere Verwendung gilt als nicht bestimmungsgemäß. Der Hersteller kann in keiner Weise für Schäden haftbar gemacht werden, die sich aus der unsachgemäßen Verwendung ergeben. Dieses Gerät kann von Kindern ab 8 Jahren und Personen mit eingeschränkten körperlichen, sensorischen oder geistigen Fähigkeiten oder mangelnder Erfahrung und Wissen verwendet werden. Jedoch nur, wenn Sie beaufsichtigt werden oder unterwiesen wurden, dieses Gerät sicher zu verwenden und die Gefahren zu erkennen und verstehen. Kinder sollten bei der Nutzung beaufsichtigt werden, sodass Sie nicht mit dem Gerät spielen können. Die Reinigung und Wartung darf nicht von Kindern ohne Aufsicht durchgeführt werden.

Zur bestimmungsgemäßen Verwendung gehört auch:

- Einhaltung aller Informationen aus der Montage-/Bedienungsanleitung und
- Verbot jeder Art von Ergänzung/Umbau der Arbeitsstation.

## 1.3 Unsachgemäße Verwendung

- Verwenden Sie das Arbeitsstationsgestell niemals zum Heben von Personen oder Lasten.
- Die maximale Tragfähigkeit des Arbeitsstationsgestells darf nicht überschritten werden.
- Arbeitsstation nur mit dem mitgelieferten Netzteil betreiben.

## 1.4 Erdungsvorschrift (System mit SMART/COMPACT Steuerung)

Dieses Arbeitsstationsgestell muss geerdet werden. Schließen Sie dieses Arbeitsstationsgestell nur an eine ordnungsgemäß geerdete Steckdose an. Im Falle einer Fehlfunktion oder eines Ausfalls stellt die Erdung einen Weg mit dem geringsten Widerstand für den elektrischen Strom dar, um die Gefahr eines Stromschlags zu verringern. Dieses Arbeitsstationsgestell ist mit einem Kabel mit einem Erdungsstecker, wie in Abbildung 1 dargestellt, ausgestattet. Der Stecker muss in eine geeignete Steckdose gesteckt werden, die entsprechend den örtlichen Vorschriften und Verordnungen ordnungsgemäß installiert und geerdet ist.

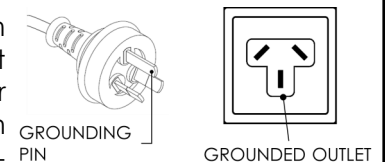


Figure 1

Dieses Gerät verfügt über einen Erdungsanschluss nur für funktionelle Zwecke.



Für die Erdung ist die Klemme zum Anschluss an den Spannungsausgleich des Gebäudes vorgesehen, in dem das Arbeitsstationsgestell aufgestellt wird. Klemmen für den Anschluss von externen Ausgleichsleitungen müssen den Anschluss von Leitern mit Nennquerschnitten von 2,5 mm<sup>2</sup> bis 6 mm<sup>2</sup> ermöglichen.

## 1.5 Gefahr

Ein unsachgemäßer Anschluss der Erdungsleitung der Arbeitsstation kann zu einem Stromschlag führen. Wenden Sie sich an einen qualifizierten Elektriker, wenn Sie Zweifel haben, ob das Gerät ordnungsgemäß geerdet ist. Verändern Sie nicht den mitgelieferten Stecker.

Wenn das Netzkabel beschädigt ist, muss es durch ein spezielles Kabel oder eine spezielle Vorrichtung ersetzt werden, die beim Hersteller oder dessen Kundendienst erhältlich ist.

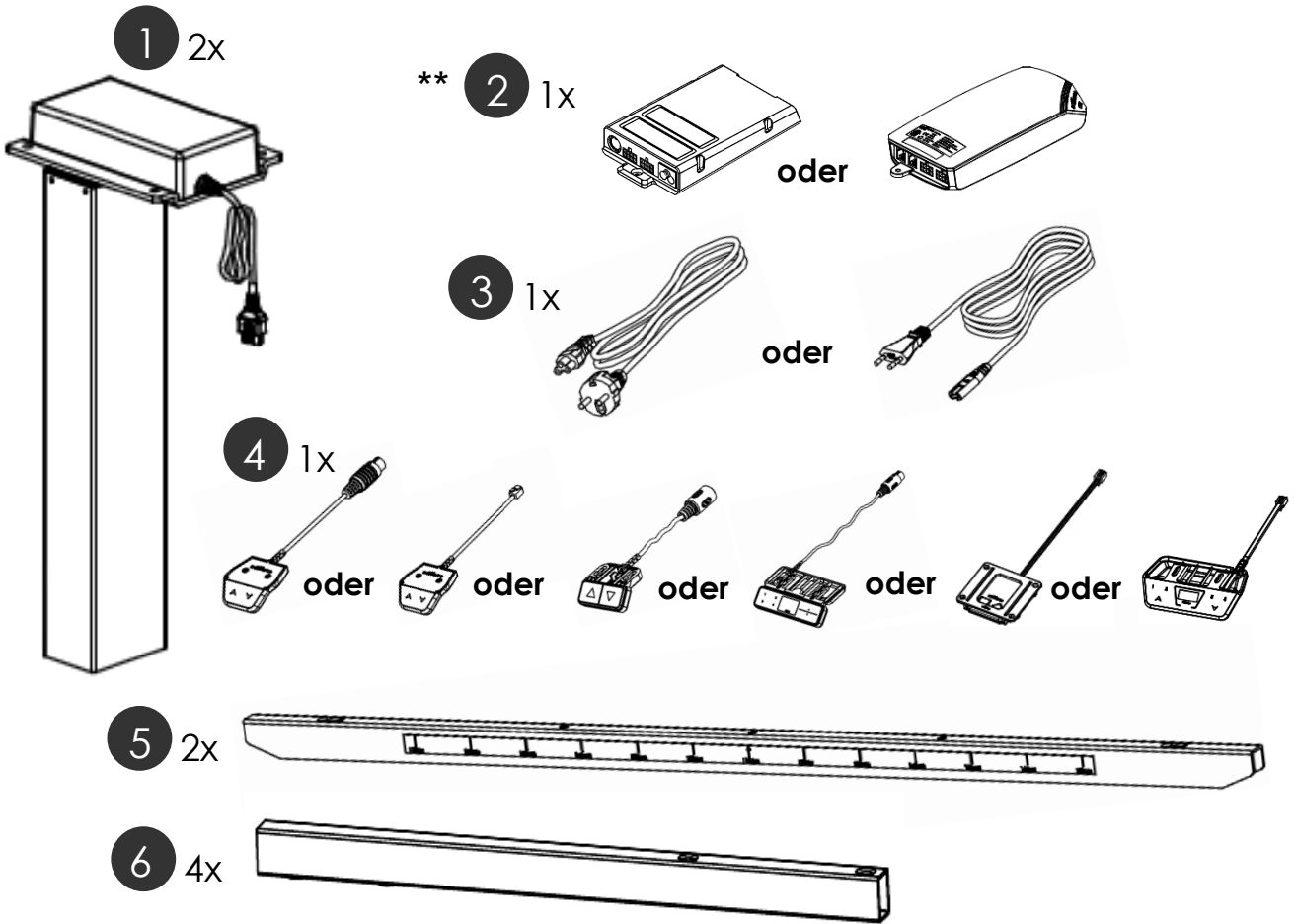
**ACHTUNG: Änderungen oder Modifikationen, die nicht ausdrücklich vom Hersteller genehmigt wurden, können die Berechtigung des Benutzers zum Betrieb des Geräts aufheben.**

1.6 Lieferumfang



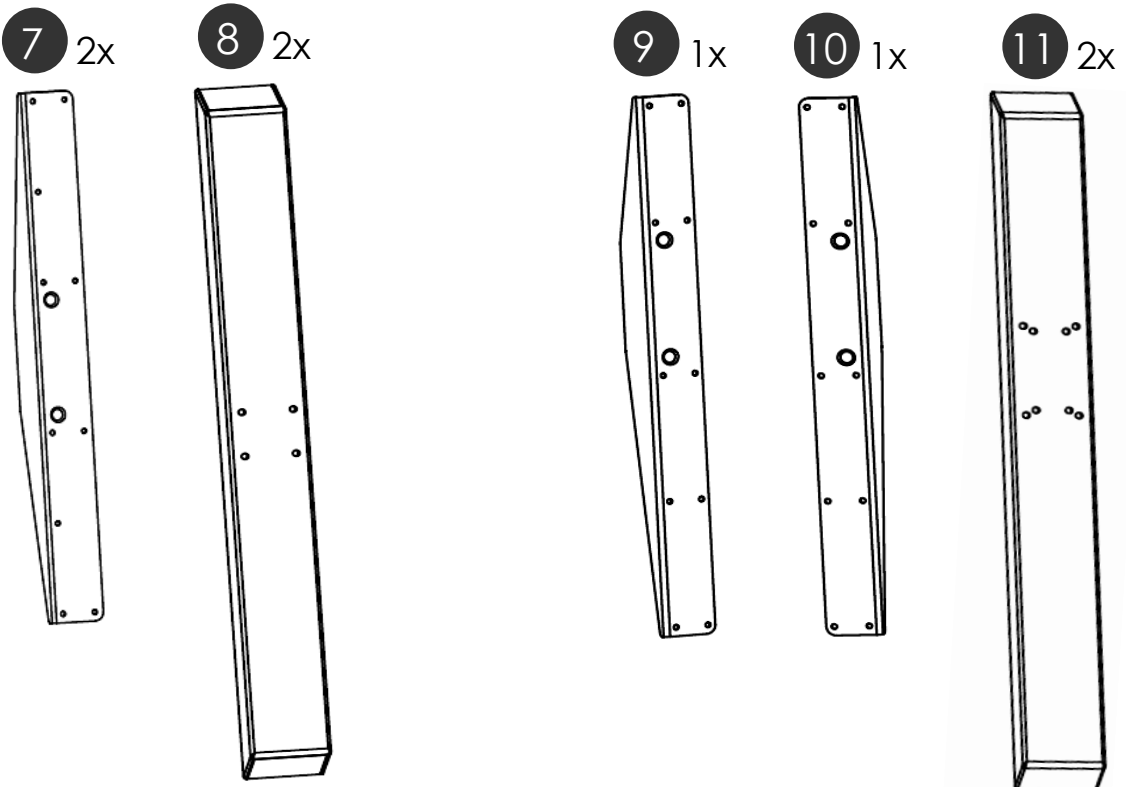
Montage mit 2 Personen!

Teile



T-Fuß

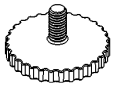
C-Fuß



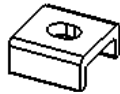


**Beschlägebeutel**

A 4x



B 4x



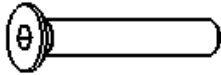
C 2x



D 4x

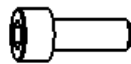


E 8x



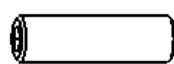
M8x50

F 8x



M6x16

G 8x



M10x35

H 30x  
28x

4.5x20

**Werkzeuge**

\*\* Steuerung (Netzgerät) 2 (a) :

1. SMART-e-2-actiforce-EU : Input: 220-240Vac, 50-60Hz, 2.5A; Output: 288VA / 24V  $\overline{\overline{\overline{\quad}}}$
2. SMART-e-2-actiforce-US : Input: 120Vac, 60Hz, 5A; Output: 216VA / 24V  $\overline{\overline{\overline{\quad}}}$

\*\* Steuerung (Netzgerät) 2(b) :



- ControlForce 2 : Input: 100-120Vac, 60Hz, 5A max; Output: 24Vdc  $\overline{\overline{\overline{\quad}}}$  9.2A  
 220-240Vac, 50Hz, 2A max; Output: 24Vdc  $\overline{\overline{\overline{\quad}}}$  5A

Tabelle : 24VDC, 4A


## 2 Sicherheitshinweise

### 2.1 Symbol- und Hinweiserklärungen



In der Betriebs- und Montageanleitung werden folgende Hinweise und Symbole für Gefährdungen verwendet:

	<p>Dieses Symbol weist auf eine unmittelbar drohende Gefahr für das Leben und die Gesundheit von Personen hin. Das Nichtbeachten dieser Hinweise kann schwere gesundheitsschädliche Auswirkungen zum Beispiel lebensgefährliche Verletzungen bis hin zur Todesfolge haben.</p>
	<p>Dieses Symbol deutet auf einen wichtigen Hinweis hin. Das Nichtbeachten kann zu Schäden am Gestell führen.</p>

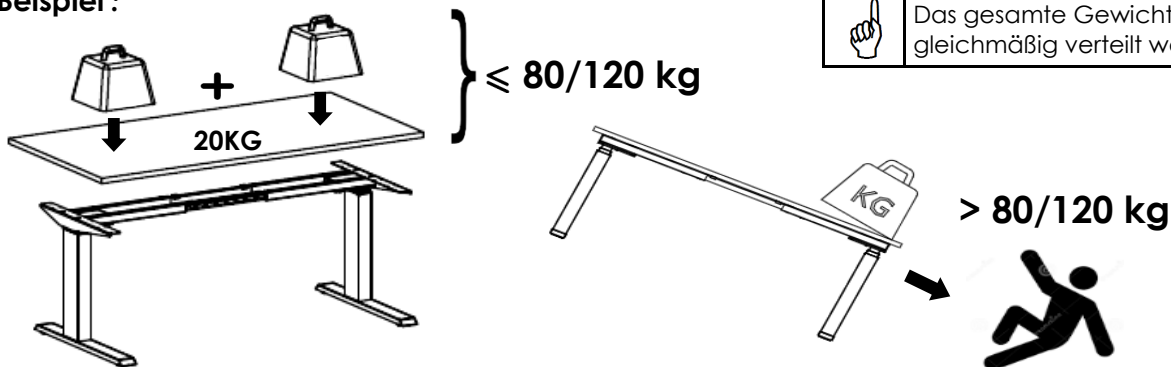
### 2.2 Verwendete Symbole am Tischgestell

	<p>Bringen Sie keine Gegenstände oder Körperteile unter das Tischgestell bzw. zwischen die Traversen. Eine Nichtbeachtung kann zu schweren Verletzungen oder zum Tod führen.</p>
---	--


### 2.3 Zulässiges Gesamtgewicht auf dem Tischgestell

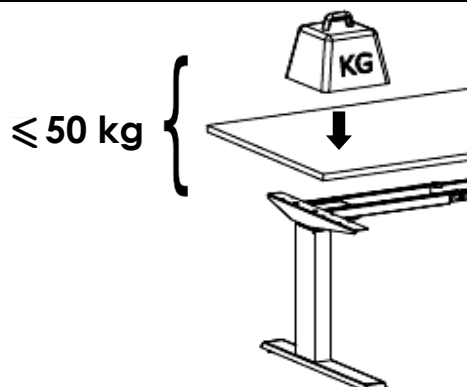
		<p>Belasten Sie das Tischgestell nur mit der maximal zulässigen Last von                  (a) 80 kg inklusive Tischplatte (Smart-e-2)                  (b) 120 kg inklusive Tischplatte (ControlForce 2)                  Vermeiden Sie einseitige Beladungen, verteilen Sie das Gewicht soweit wie möglich gleichmäßig. Eine Überlastung kann zum Zusammenbruch des Gestells führen und bei nahestehenden Personen schwere Verletzungen verursachen.</p>
--	--	---

Beispiel :



### 2.4 Zulässiges Gesamtgewicht pro Säule

	<p>Belasten Sie eine einzelne Säule mit nicht mehr als der maximal zulässigen Last von 50 kg, (inklusive Tischplatte). Eine Überlastung kann zum Zusammenbruch des Gestells führen und bei nahestehenden Personen schwere Verletzungen verursachen.</p>
---	---



## 2.5 Organisatorische Maßnahmen

- Montieren Sie das Tischgestell am besten mit zwei Personen. Speziell das Umdrehen des Gestells mit montierter Tischplatte muss mit zwei Personen erfolgen!

## 2.6 Empfohlene Sicherheitsmaßnahmen

- Bewahren Sie die Betriebs- und Montageanleitung ständig in der Nähe des Einsatzortes des Tischgestells auf.
- Halten Sie alle Sicherheits- und Gefahrenhinweise an dem Tisch (siehe Kapitel Verwendete Symbole am Tischgestell“) in lesbarem Zustand und aktualisieren Sie diese gegebenenfalls.

## 2.7 Hinweise zur Montage

- Montage des Tischgestells oder Arbeiten am Tischgestell darf nur durch Personen mit einem Alter ab 16 Jahren erfolgen.
- Die Monteure müssen die Betriebs- und Montageanleitung gelesen und verstanden haben.

## 2.8 Transport und Montage

- Bewegen Sie das Tischgestell nur mit zwei Personen und in niedrigster Tischhöhe.
- Kippen oder ziehen Sie das Tischgestell nicht mit den Kufen über dem Boden entlang.
- Montieren Sie das Tischgestell nur mit dem beigefügten Werkzeug. Nur so ist sichergestellt, dass die Schrauben einwandfrei angezogen werden.

## 2.9 Benutzung des Tischgestells

- Lassen Sie Kinder nicht unbeaufsichtigt an das Tischgestell. Kinder können die Gefahren des Tischgestells nicht einschätzen. Es besteht die Gefahr von schweren Verletzungen mit Todesfolge. Zum Schutz von Kindern darf keine weitere Verstellung möglich sein.
- Benutzen Sie das Tischgestell nur in der dafür vorgesehenen Umgebung.
- Benutzen Sie das Tischgestell nicht auf einem unebenen Untergrund. Es besteht die Gefahr des Umkippens.
- Belasten Sie das Tischgestell nur bis zur maximalen Last.

## 2.10 Besondere Gefahrenstellen

- Beim Verstellen der Gestellhöhe besteht Verletzungsgefahr. Achten Sie bei der Verstellung des Tischgestells darauf, dass sich keine Personen in der Nähe des Tischgestells aufhalten.
- Achten Sie bei der Aufstellung des Tischgestells auf vollständige Kollisionsfreiheit (z.B. Dachschräge, bauliche Gegebenheiten, Rollcontainer, Papierkorb, usw.) in allen möglichen Verstellpositionen.
- Achten Sie auch auf Kollisionsfreiheit, wenn sich Gegenstände - z. B. EDV-Geräte – auf dem Tisch befinden.
- Halten Sie einen seitlichen Sicherheitsabstand vom mindestens 25 mm zu jedem anderen Möbelstück ein.

## 2.11 Hinweise für den Notfall

- Nehmen Sie das Tischgestell sofort außer Betrieb, wenn ungewöhnliche Vorkommnisse (Geräusche, Qualm, Rauch, usw.) am Tischgestell entstehen sollten.
- Lassen Sie das Tischgestell durch einen Fachbetrieb reparieren. Nehmen Sie das Tischgestell erst wieder nach erfolgter Reparatur in Betrieb.

## 2.12 Wartung und Instandhaltung

- Das Tischgestell und seine Bauteile sind wartungsarm und erfordern keine besondere regelmäßige Wartung.
- Führen Sie keine Reparaturen am Tisch oder den Komponenten selbst durch.
- Nehmen Sie keine baulichen Veränderungen am Tisch vor
- Tauschen Sie defekte Komponenten des Tischgestells nur gegen neue Originalteile des Herstellers aus. Verwenden Sie bitte ausschließlich Originalersatzteile des Herstellers. Lassen Sie alle damit zusammenhängenden Arbeiten von einem Fachmann unter Beachtung der Anweisungen in dieser Betriebs- und Montageanleitung durchführen.

### 2.13 Reinigung

- Ziehen Sie vor der Reinigung immer den Netzstecker aus der Steckdose.
- Stauben Sie das Tischgestell mit einem trockenen Lappen einmal pro Woche ab.
- Reinigen Sie das Tischgestell mit einem feuchten Tuch und mildem Reinigungsmittel alle 2 Wochen.

### 2.14 Restrisiken

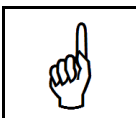
Das Tischgestell ist nach dem Stand der Technik und den anerkannten sicherheitstechnischen Regeln gebaut. Dennoch können bei Verwendung Gefahren für Leib und Leben des Benutzers oder Dritte bzw. Beeinträchtigungen am Tischgestell oder an anderen Sachwerten entstehen. Das Tischgestell ist nur zu benutzen:

- für die sachgemäße Verwendung.
- in sicherheitstechnisch einwandfreiem Zustand.

### 3 Montage



Bitte beachten Sie vor der Montage die Sicherheitshinweise in Kapitel 2.

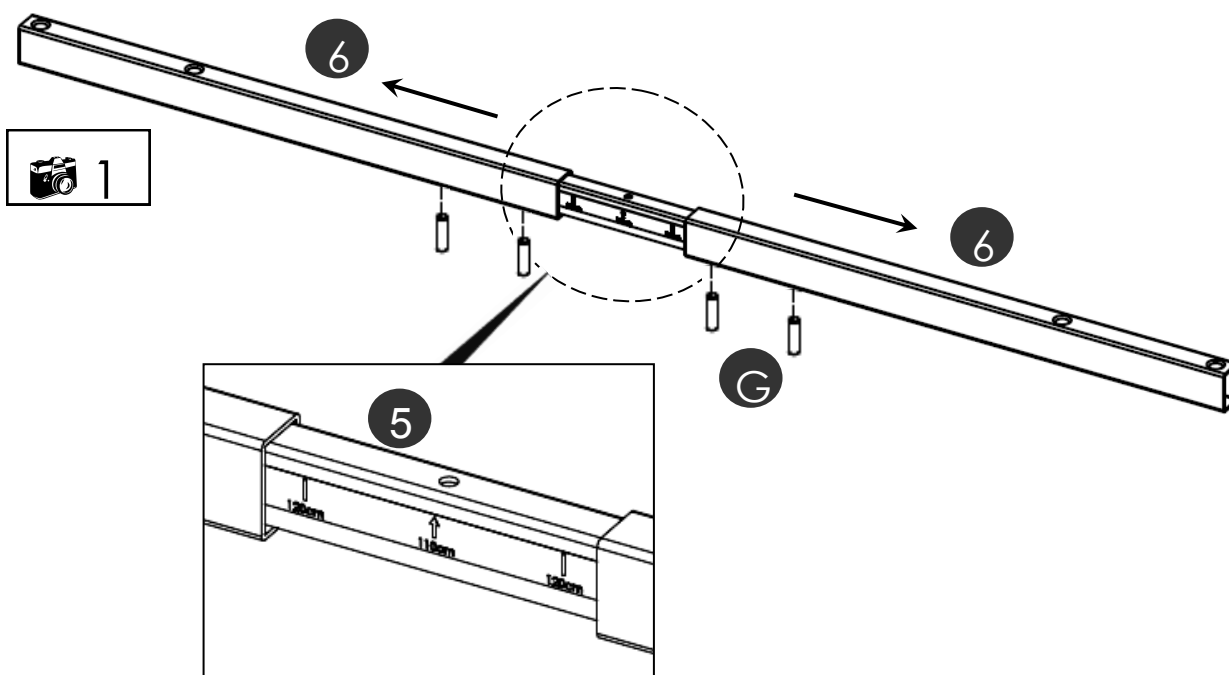


Um Komponenten und ggf. den Boden vor Kratzern zu schützen, empfiehlt es sich vor der Montage eine Unterlage zu verwenden. Dazu können Sie zum Beispiel den mitgelieferten Karton verwenden indem Sie diesen auseinanderfalten.

#### 3.1 Vormontage der Traversen

##### 3.1.1 Empfohlene Tischplattenmaße

Gestellbreite	Tischplatten maße / Breite	Tischplatten maße / Tiefe	Tischplattenstärke
110 cm	120 cm	80 cm	2.5 cm
130 cm	140 cm	80 cm	2.5 cm
150 cm	160 cm	80 cm	2.5 cm
170 cm	180 cm	80 cm	2.5 cm

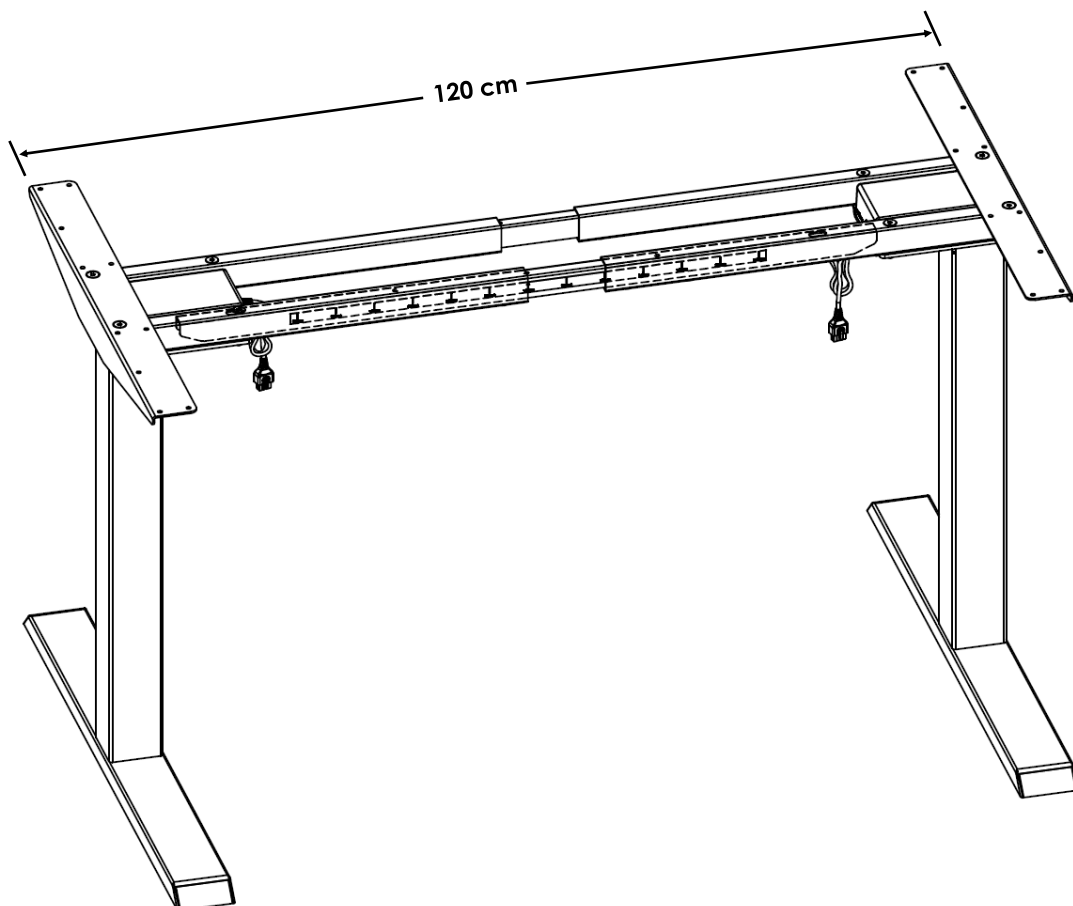
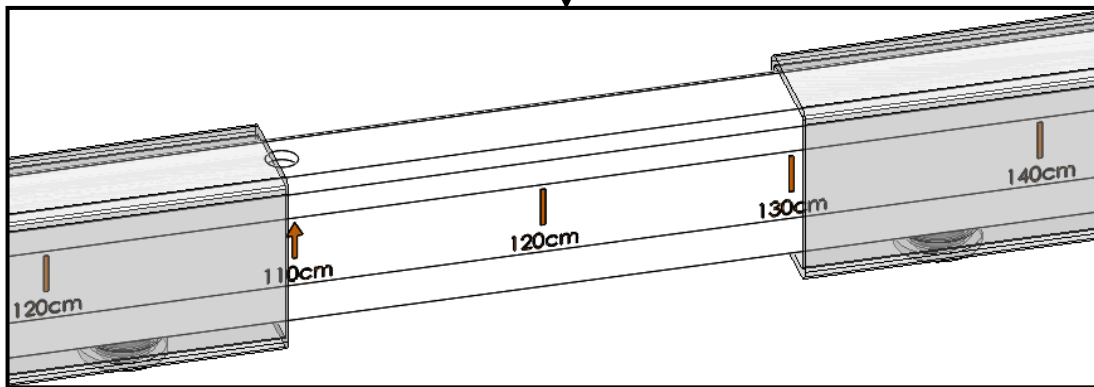
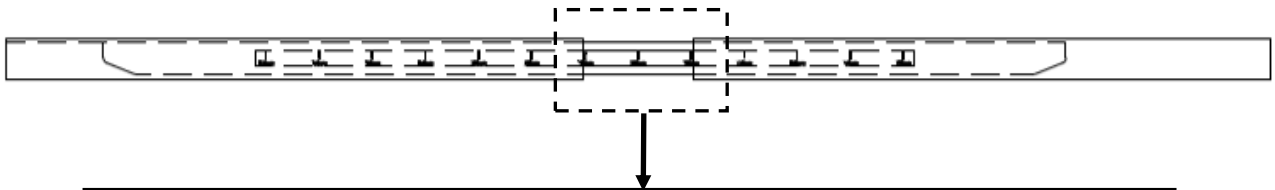


Ziehen Sie die Gewindestifte noch nicht fest!

### 3.1.2 Einstellung der Traversen auf 120 cm



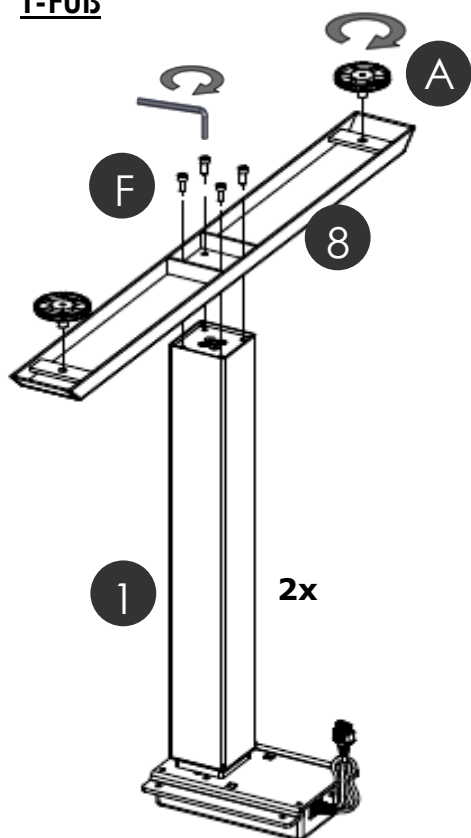
Einstellung der Traversen auf 120 cm - Verschieben Sie die innere Traverse wie im unten gezeigten Schaubild auf 110 cm und 130 cm.



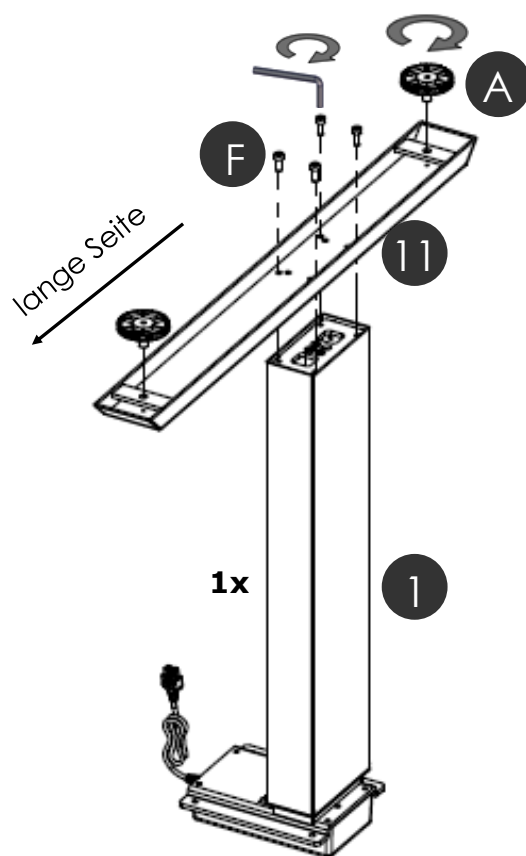
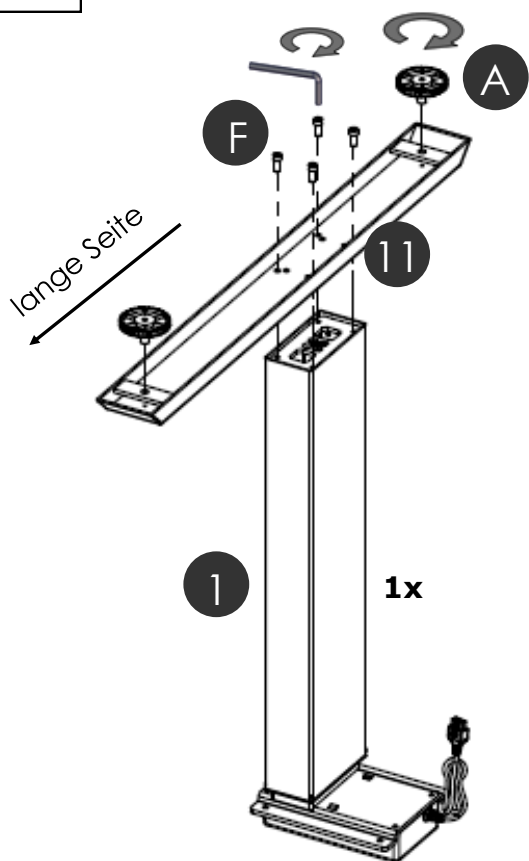
### 3.2 Montage der Kufen



#### T-Fuß

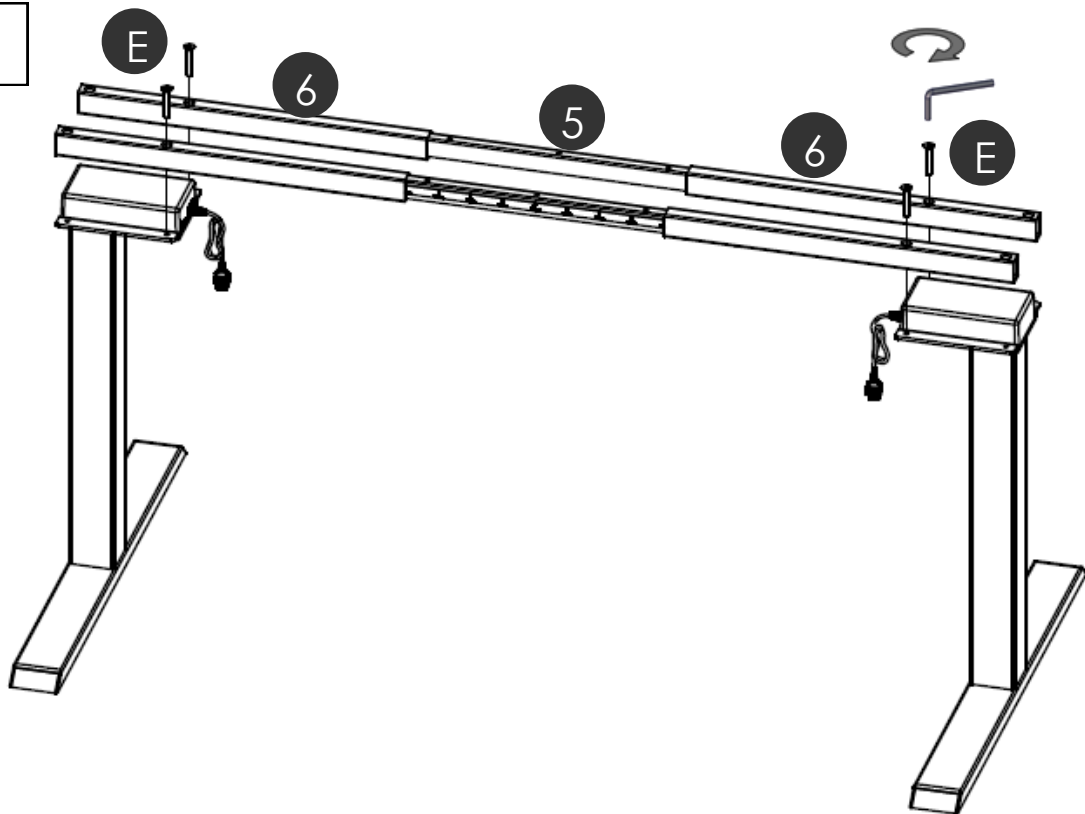


#### C-Fuß



### 3.3 Montage der Traversen

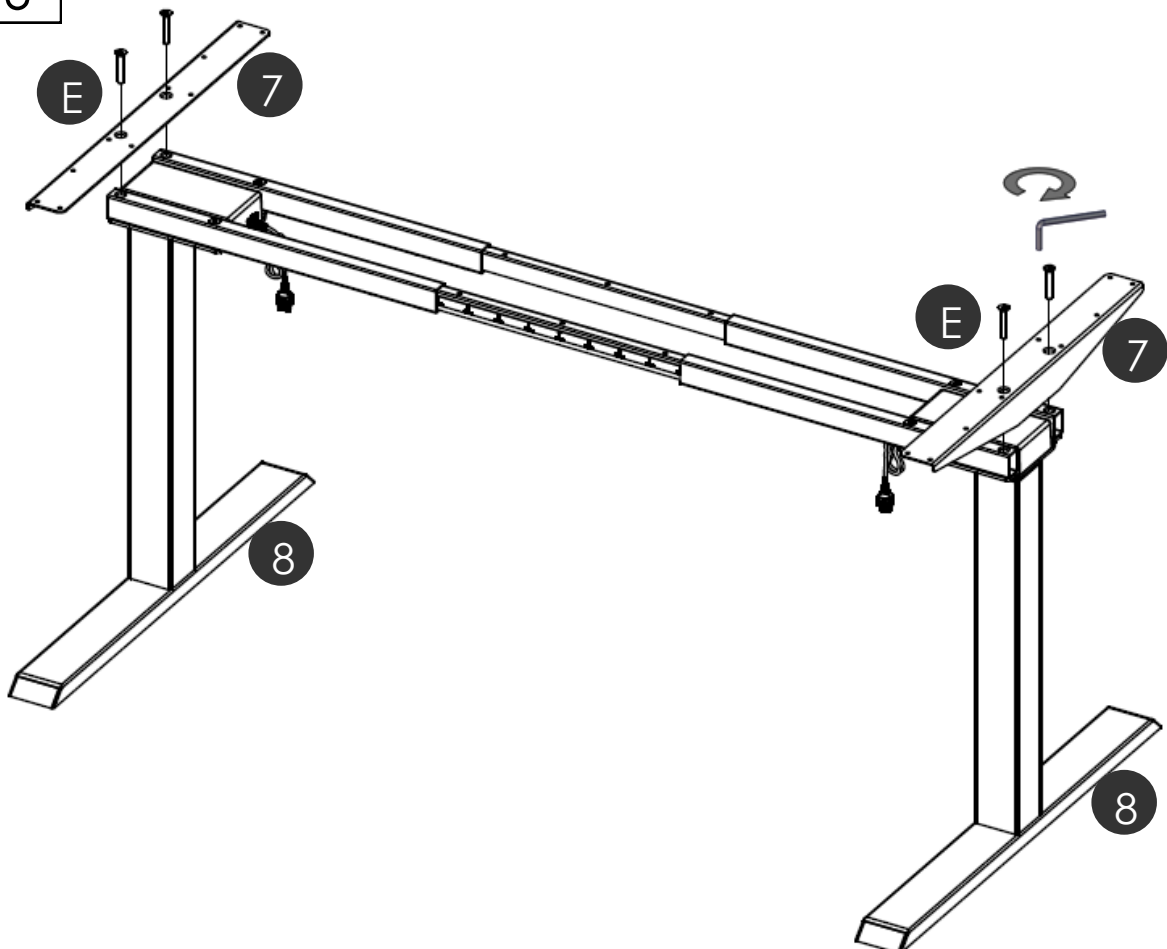
 5



### 3.4 Montage der Plattenträger

 6

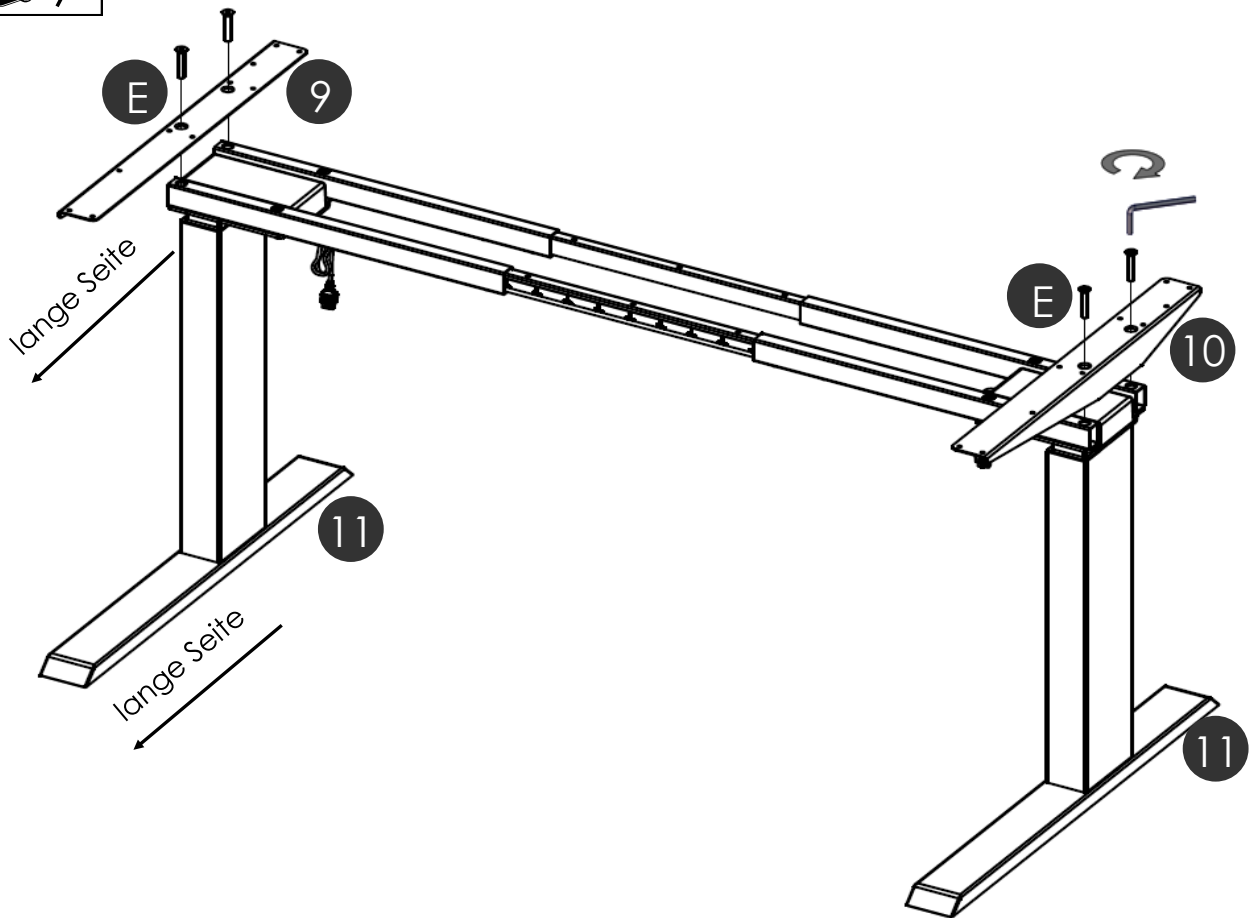
T-Fuß



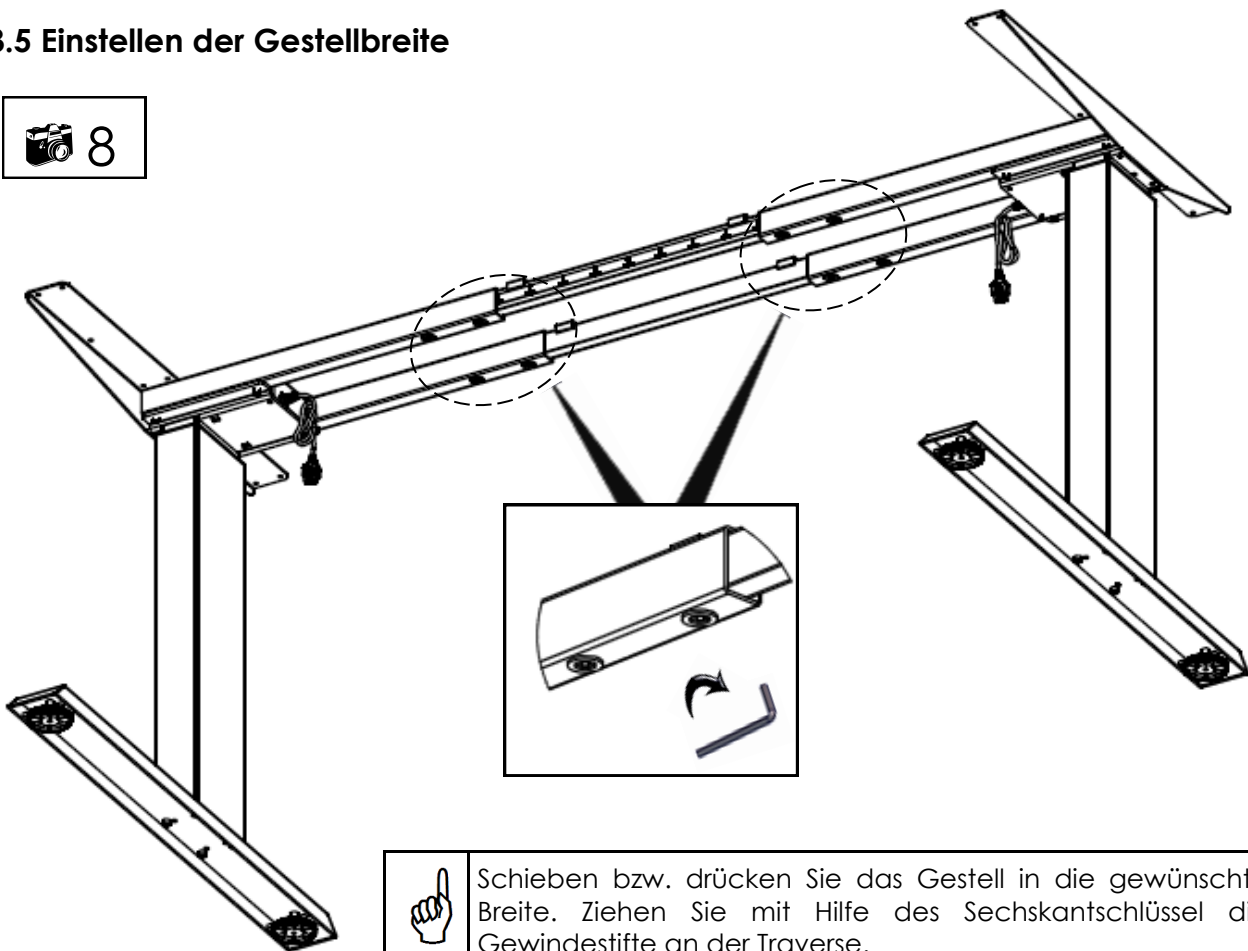





C-Fuß



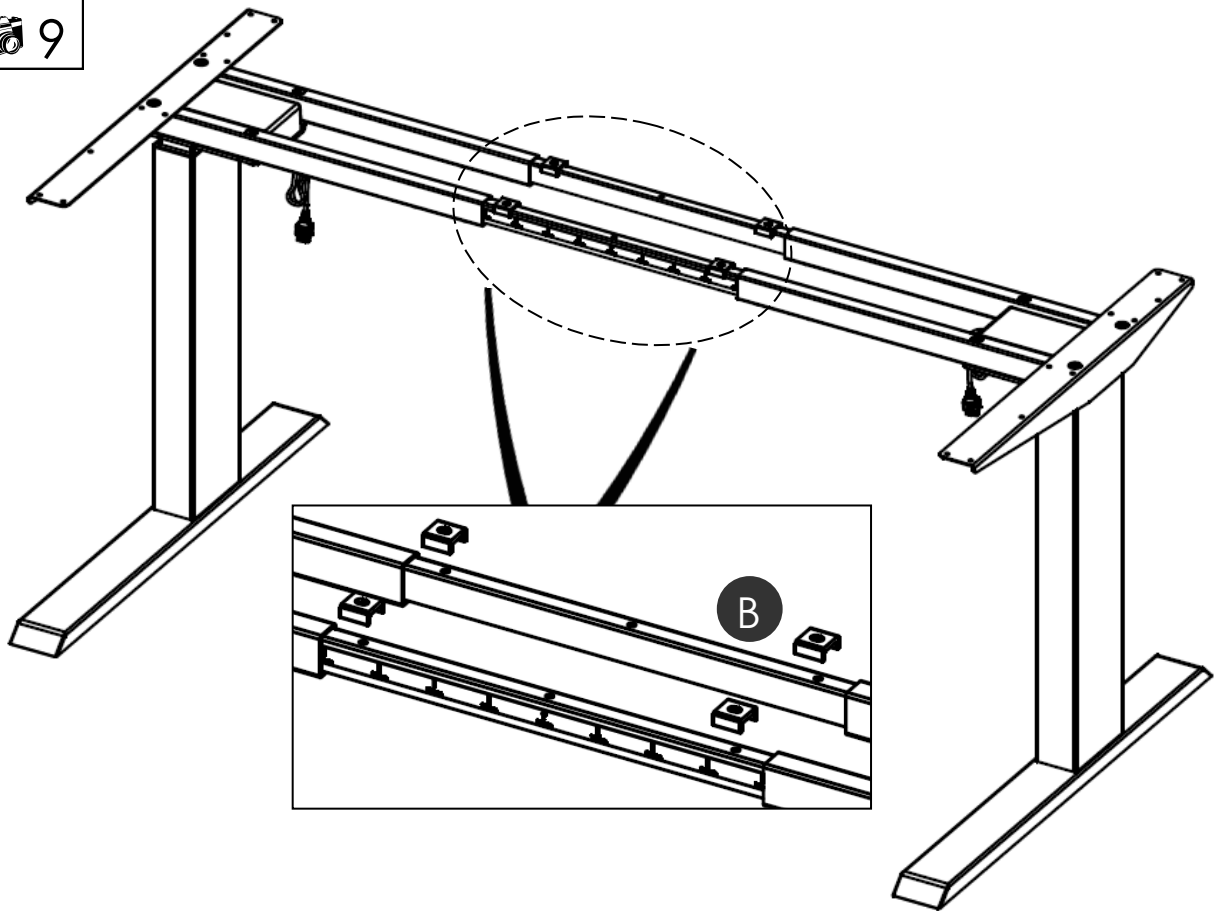
3.5 Einstellen der Gestellbreite



 Schieben bzw. drücken Sie das Gestell in die gewünschte Breite. Ziehen Sie mit Hilfe des Sechskantschlüssel die Gewindestifte an der Traverse.

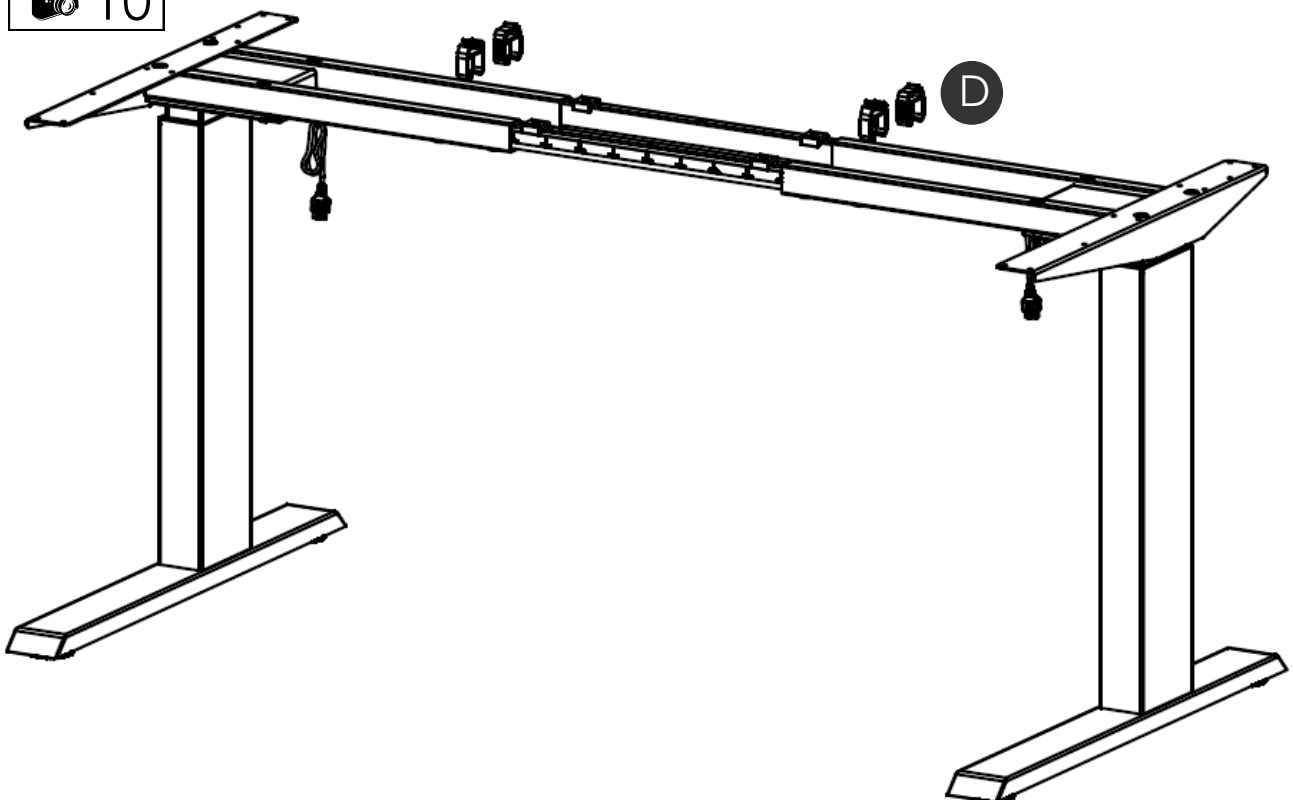
### 3.6 Montage des Abstandhalters

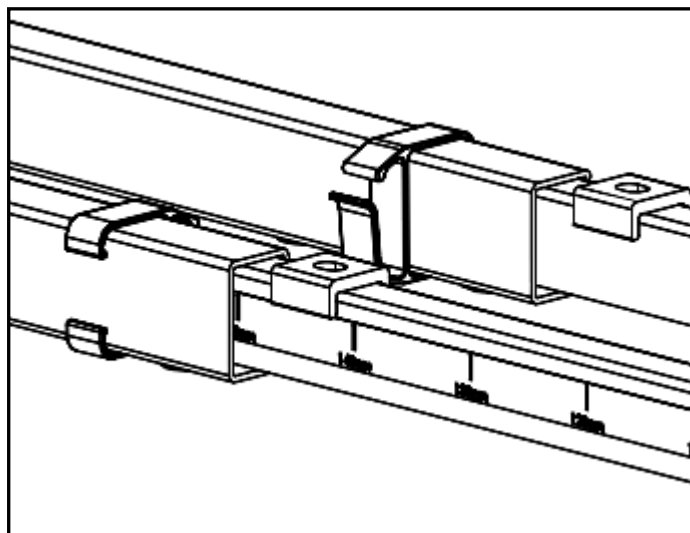
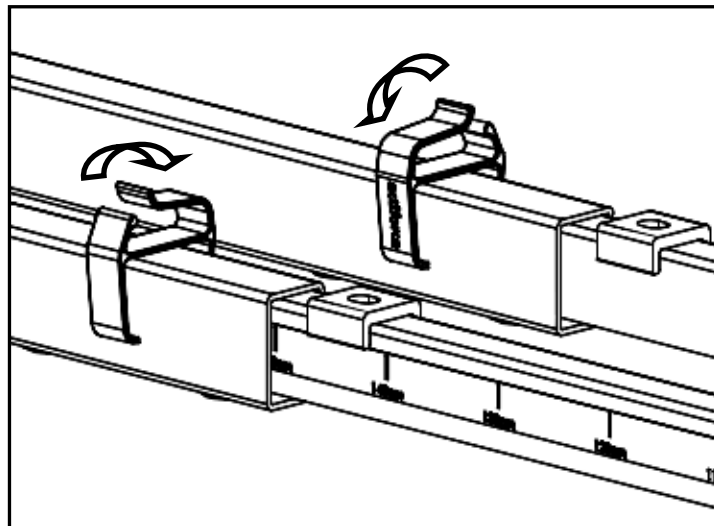
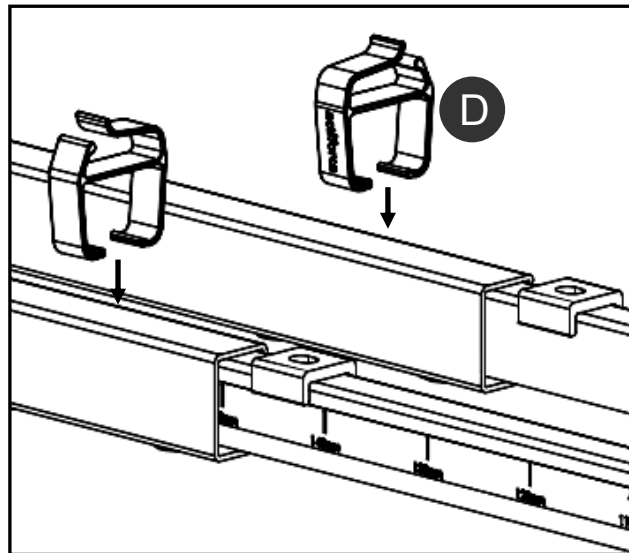
9

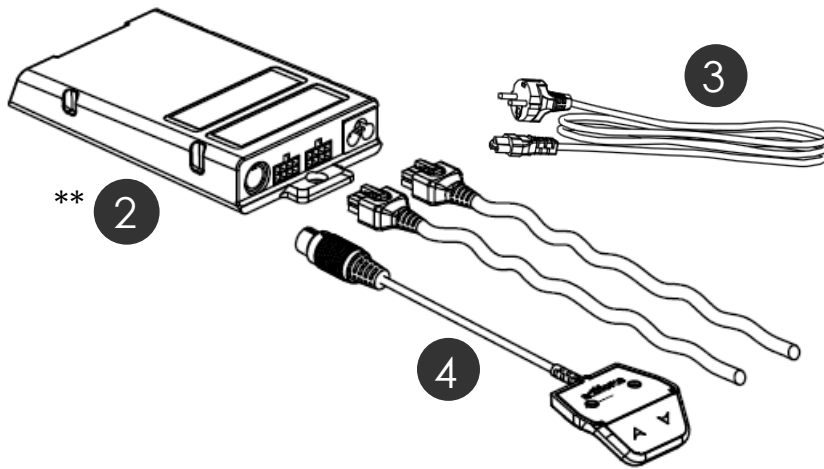


### 3.7 Montage der Kabelhalterungen

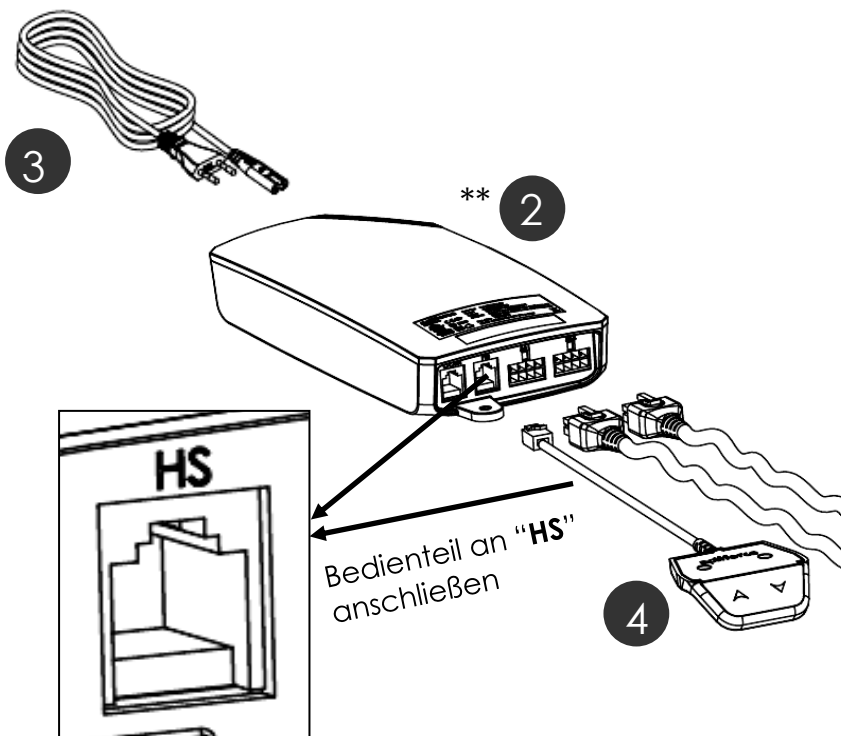
10

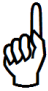






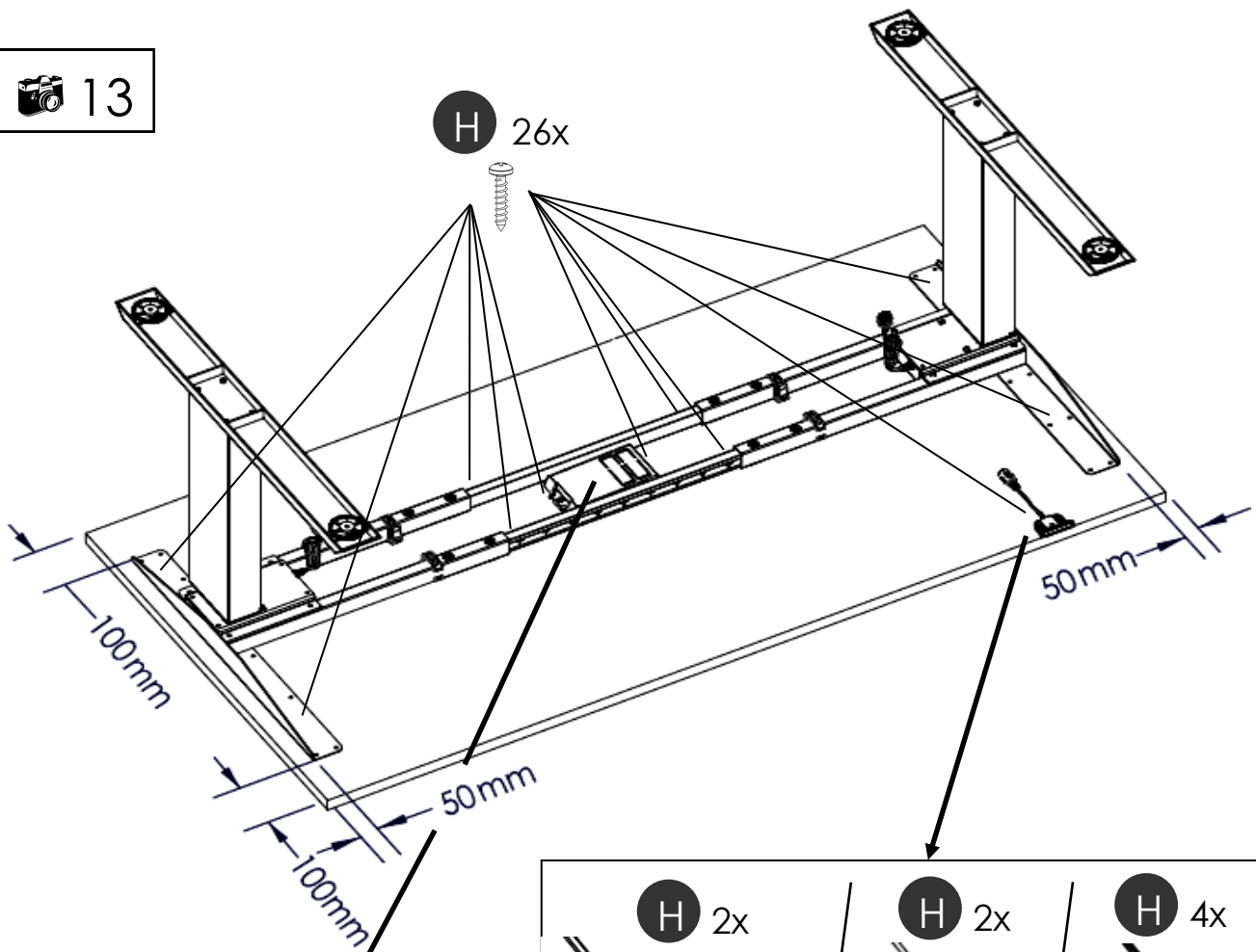
OPTIONAL



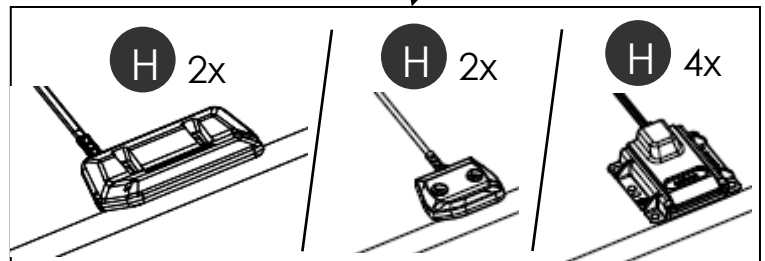
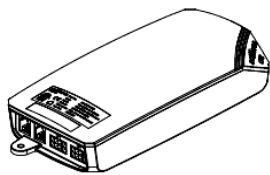
 Beachten Sie, dass der Schreibtisch, den Sie montieren, höhenverstellbar ist. Die Kabel der elektrischen Bauteile müssen der Bewegung des Schreibtisches ungestört folgen können.

### 3.9 Montage der Tischplatte

### 3.10 Montage des Netzteils unter der Tischplatte



OPTIONAL

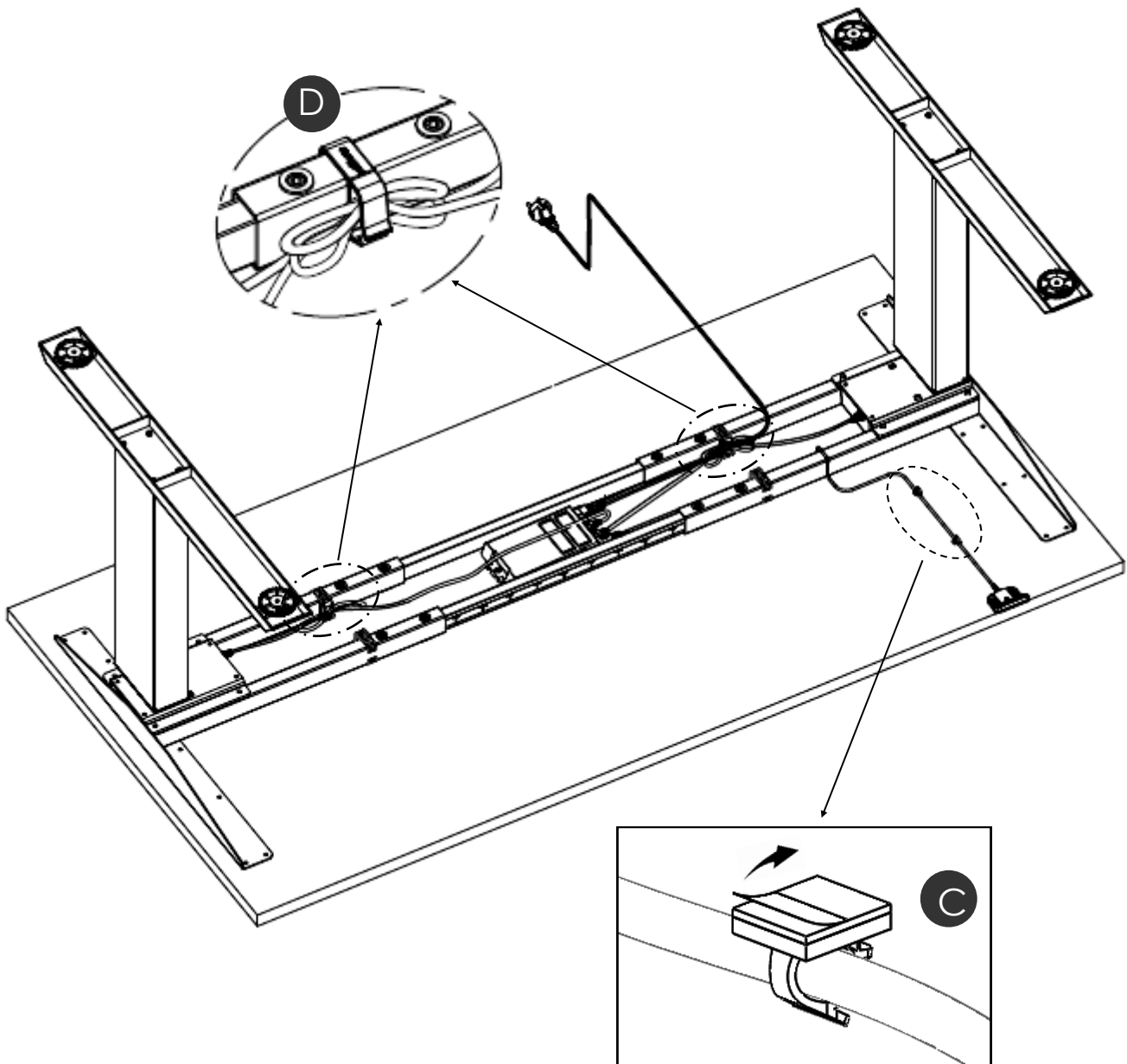


Anweisungen zur Montage des ActiSwitch Pro-Memory finden Sie in SLS-IM0061-1EN-DE-NL.

### 3.11 Montage der Kabelclips

 14

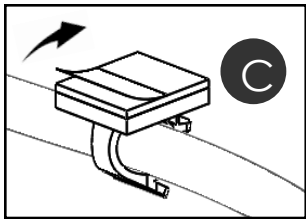
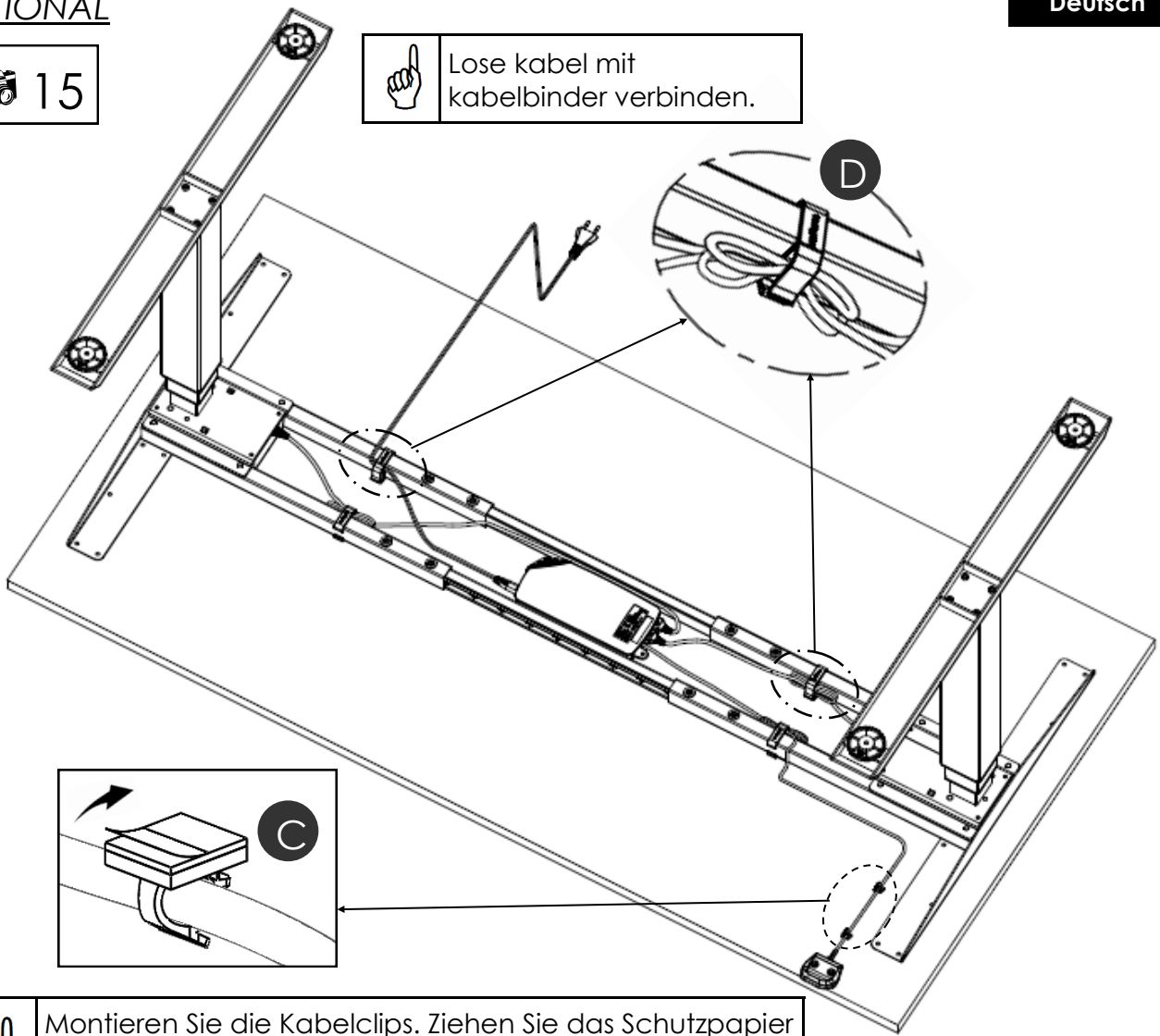
Binden Sie überschüssiges Kabel mit einem Kabelbinder zusammen.




Montieren Sie die Kabelclips. Ziehen Sie das Schutzpapier ab und kleben Sie die Kabelclips an die Tischplatte. Legen Sie das Kabel durch die einzelnen Kabelclips.

 15

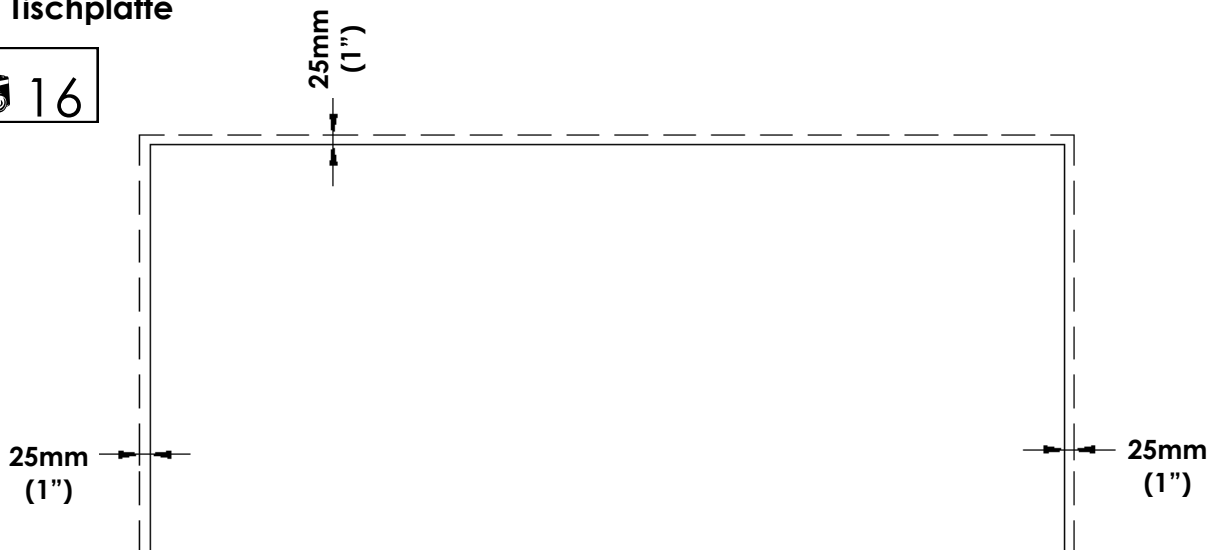
 Lose kabel mit kabelbinder verbinden.




 Montieren Sie die Kabelclips. Ziehen Sie das Schutzpapier ab und kleben Sie die Kabelclips an die Tischplatte. Legen Sie das Kabel durch die einzelnen Kabelclips.




### 3.12 Sicherheitsabstand zur Wand oder beweglichen Teilen von 25 mm um die Tischplatte

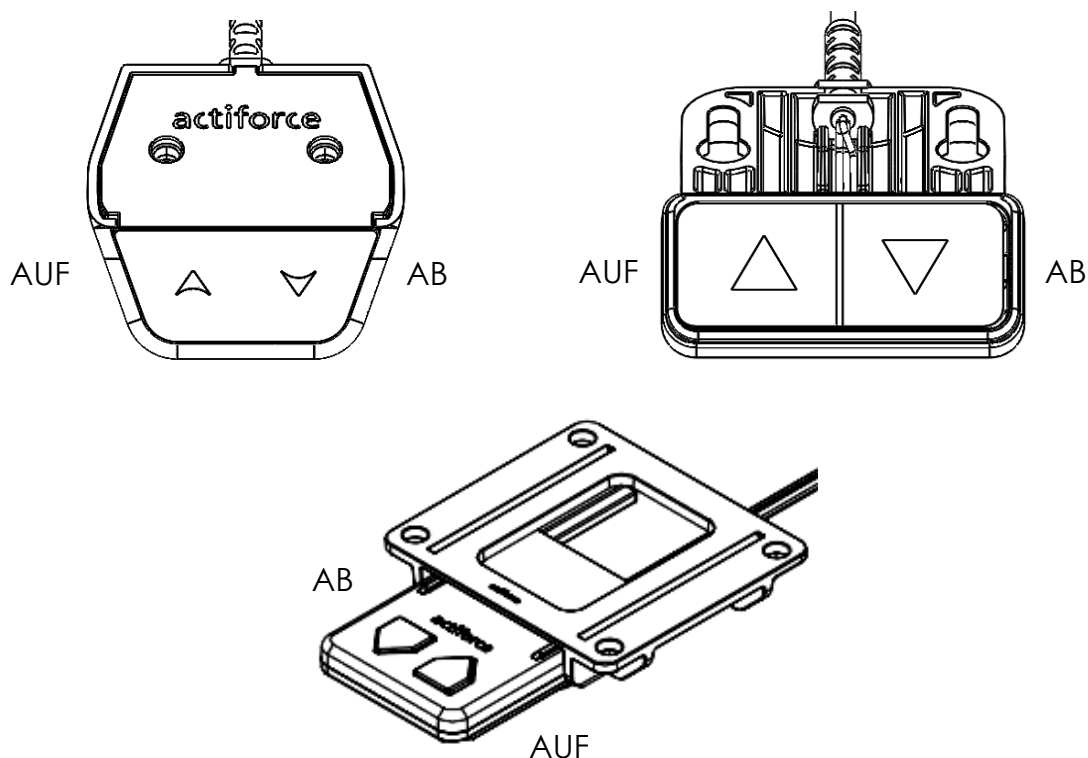
 16



 Lassen Sie einen Sicherheitsabstand von 25 mm zwischen der Kante der Tischplatte und Wänden bzw. beweglichen Teilen frei.

### 3.13 Test und Inbetriebnahme ohne Tischplatte

	Achten Sie darauf, daß alle Bewegungen des Tischgestells sanft und ruckfrei erfolgen.
	Wenn Sie Kabel von den elektrischen Bauteilen abziehen müssen, trennen Sie immer zunächst die Stromversorgung.
	Für den Fall, dass die Höhenverstellung nicht ordnungsgemäß funktioniert, stellen Sie die Verwendung des Tischgestells sofort ein und trennen Sie die Stromversorgung. Setzen Sie sich für weitere Schritte mit dem Kundendienst in Verbindung.



#### Reset-Modus

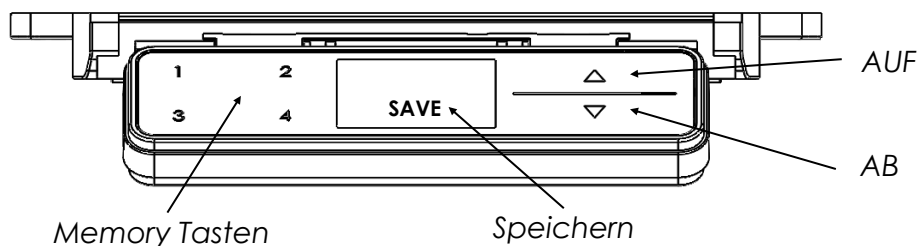
Beim erstmaligen Anschluss des Netzteils an die Stromzufuhr, ist die Höhenverstellfunktion nur im Reset-Modus zu betätigen.

Während des Reset-Modus kann das Gestell nur abwärts gefahren werden. Um diesen Vorgang abzuschließen und das Gestell normal bedienen zu können befolgen Sie bitte folgende Schritte:

- Bei Betätigung der AB-Taste bewegt sich das Tischgestell langsam nach unten.
- Das Tischgestell muss in die unterste Position gefahren werden. Diese Position dient dann als Referenzpunkt (Nullpunkt).
- Halten Sie die Taste bei Erreichen der untersten Positionen einen Augenblick lang gedrückt. Dies beendet den Reset-Modus
- Das Gestell lässt sich jetzt normal betätigen und durch drücken der Auf- bzw. Ab-Taste in die gewünschte Position fahren. Das Gestell stoppt sobald die Tasten losgelassen werden.



## Funktionen des Memory Masters (Optional)

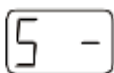


### AUF/ AB

Drücken und halten Sie diese Tasten um das Gestell in eine gewünschte Position zu bringen. Lassen Sie die Taste los, stoppt das Gestell automatisch.

### Einstellung einer bevorzugten Höhenposition

Fahren Sie das Gestell in eine gewünschte Position. Drücken Sie die Speichern Taste. Auf der Anzeige erscheint dann:



Drücken Sie unmittelbar darauf eine der Memory Tasten. Die Zahl dieser Taste erscheint dann anstelle des „-“, zwei Sekunden später. Das Netzteil bestätigt die Einstellung mit einem hörbaren doppelklick.

### Memory Tasten

Drücken und halten Sie diese Tasten um das Gestell in eine bevorzugte Position zu bringen. Lassen Sie die Taste los, stoppt das Gestell automatisch. Erreicht das Gestell die bevorzugte Position wird es langsamer und stoppt kurz darauf.

### Änderung der Höhenanzeige im Display

Diese Funktion ändert lediglich die angezeigte, nicht die tatsächliche Höhe. Drücken Sie SAVE. Sobald im Display folgendes erscheint:



drücken und halten Sie AB bis die angezeigte Höhe blinkend angezeigt wird. Mit Hilfe von AUF und AB können Sie den Wert jetzt ändern. Sie Beenden den Prozess in dem Sie SAVE drücken.

### Reset-Modus

Beim erstmaligen Anschluss des Netzteils an die Stromzufuhr, ist die Höhenverstellfunktion nur im Reset-Modus zu betätigen.

Während des Reset-Modus kann das Gestell nur abwärts gefahren werden. Um diesen Vorgang abzuschließen und das Gestell normal bedienen zu können befolgen Sie bitte folgende Schritte:

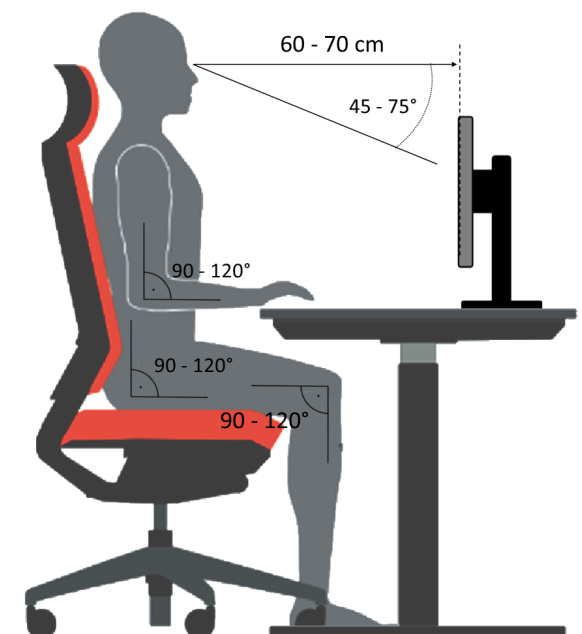
- Bei Betätigung der AB-Taste bewegt sich das Tischgestell langsam nach unten.
- Das Tischgestell muss in die unterste Position gefahren werden. Diese Position dient dann als Referenzpunkt (Nullpunkt).
- Halten Sie die Taste bei Erreichen der untersten Positionen einen Augenblick lang gedrückt. Dies beendet den Reset-Modus
- Das Gestell lässt sich jetzt normal betätigen und durch drücken der Auf- bzw. Ab-Taste in die gewünschte Position fahren. Das Gestell stoppt sobald die Tasten losgelassen werden.

### Systemneustart — erzwingen des Reset-Modus

Um den Neustart zu erzwingen ist es erforderlich, dass das Gestell in unterster Position ist.

- Halten Sie die Runter-Tasten (ca. 10 Sekunden) gedrückt, bis ein Klick zu hören ist.
- Fahren Sie gemäß den obigen Anweisungen zum „Reset-Modus“ fort.

## 4 Ergonomische Sitzeinstellung



### Richtige Sitzhaltung

Falsches Sitzen kann zu Gelenk- und Sehnenschäden sowie Muskelschmerzen führen. Um dies zu vermeiden, müssen der Bürostuhl und der Schreibtisch richtig eingestellt werden.

Zusätzlich zu den folgenden Empfehlungen sollten Sie unbequeme Sitzhaltungen stets vermeiden. Wenn Sie das Gefühl haben, dass die folgenden Empfehlungen bei Ihnen zu einer unangenehmen Sitzhaltung führen, passen Sie diese einfach an Ihre Bedürfnisse an.

### Bürostuhl

- Die Sitzhöhe muss so eingestellt werden, dass Ihre Knie in einem Winkel von 90–120° stehen, wenn Ihr Fuß flach auf dem Boden aufliegt.
- Für eine richtige Sitzhaltung muss Ihr unterer Rücken an der Rückenlehne anliegen. Stellen Sie die Sitztiefe ggf. so ein, dass die Sitzschale keinen Druck auf Ihre Unterschenkel ausübt.
- Sitzen Sie aufrecht, lehnen Sie sich jedoch in einer bequemen Position etwas zurück. Stellen Sie die Lendenstütze des Stuhls ggf. auf Ihre Körpergröße ein. Stellen Sie die Rückenlehne so ein, dass sie Ihren Oberkörper etwas nach vorne drückt, Ihnen aber noch genug Freiraum für Bewegungen lässt.
- Stellen Sie ggf. die Höhe der Armlehnen ein. Ihre Schultern sollten sich in einer entspannten Stellung befinden, wenn Ihre Arme die Armlehnen berühren.

### Schreibtisch

- Stellen Sie die Tischhöhe erst ein, wenn Sie die richtige Sitzhaltung gefunden haben.
- Ihre Ellbogen sollten einen Winkel von 90–120° aufweisen, wenn Ihre Arme auf der Tischplatte aufliegen. Die Kante der Tischplatte sollte nicht gegen Ihre Arme drücken.

### Geräte auf dem Schreibtisch

- Einfallendes Licht (Tageslicht oder Lampen) sollte Ihren Monitor in einem 90°-Winkel treffen.
- Stellen Sie die Monitorhöhe so ein, dass Sie etwas nach unten blicken müssen, um die Mitte des Bildschirms anzusehen.
- Halten Sie einen Abstand von 60–70 cm zum Bildschirm.
- Eine flache, schmale Tastatur hilft dabei, Ihre Handgelenke zu schonen.
- **Bitte beachten Sie die Empfehlungen in den Anleitungen Ihrer weiteren (ergonomischen) Ausrüstung.**

## 5 Technische Spezifikationen

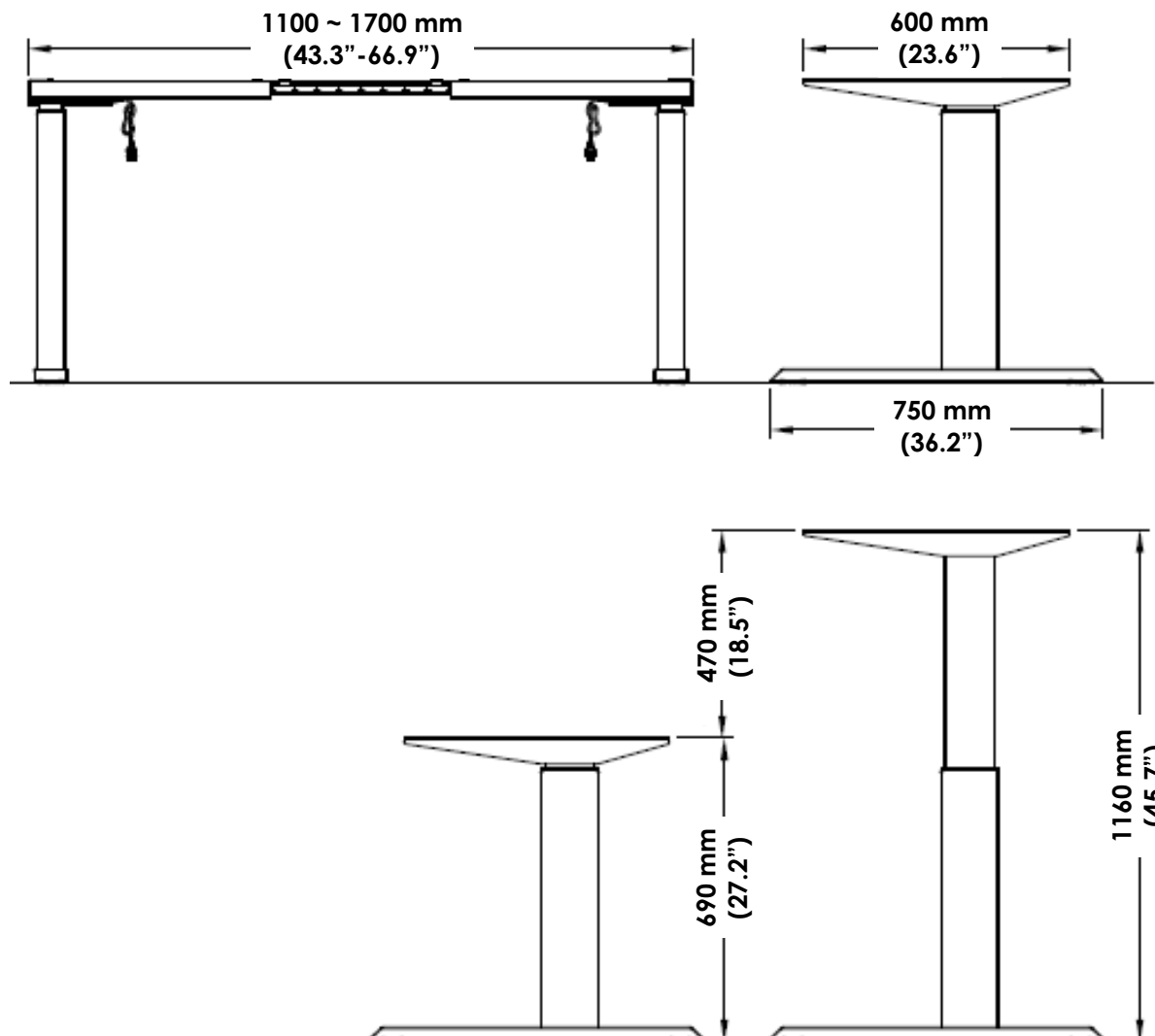
Anleitungsversion	SLS-1282003-4EN-DE-NL
Baujahr	2020
Ursprungsland	Malaysia
System	1-stufig, beintraversenfrei
Material	Stahl, Aluminium und Kunststoff
Max. Hub I. Steelforce Pro 170 SLS II. Steelforce Pro 370 / 570 (60x90) SLS	I. 470mm (18.5") II. 490mm (19.3")
Max. Traglast I. SMART-e-2 II. ControlForce 2	I. 80kg II. 120kg
Eigengewicht I. Steelforce Pro 170 SLS II. Steelforce Pro 370 SLS III. Steelforce Pro 570 (60x90) SLS	I. ± 32 kg II. ± 28.5 kg III. ± 28 kg
Geschwindigkeit mit Last	± 39 mm/s
Eingangsspannung I. SMART-e-2-actiforce-EU II. SMART-e-2-actiforce-US III. ControlForce 2	I. 220-240Vac, 50-60Hz, 2.5A II. 120Vac, 60Hz, 5A III. 100-120Vac, 60Hz, 5A max 220-240Vac, 50Hz, 2A max
Nutzungszyklus	10 % (2 Minute EIN / 18 Minuten AUS)
Geräuschpegel	< 50 dB(A)
Zul. Umgebungstemperatur	15 - 30°C
Zul. Umgebungstemperatur (Lagerung)	10 - 50°C
Zulässige Luftfeuchtigkeit	<85%
Zulässige Luftfeuchtigkeit (Lagerung)	<50%
Max. Lagerzeit	-
Nur in geschlossenen Räumen einsetzbar!!!	

## 5 Technische Spezifikationen

(\* Durchschnittliche Toleranzen = ± 10 mm)

### Steelforce Pro 170 SLS

(T-Fuß und C-Fuß)

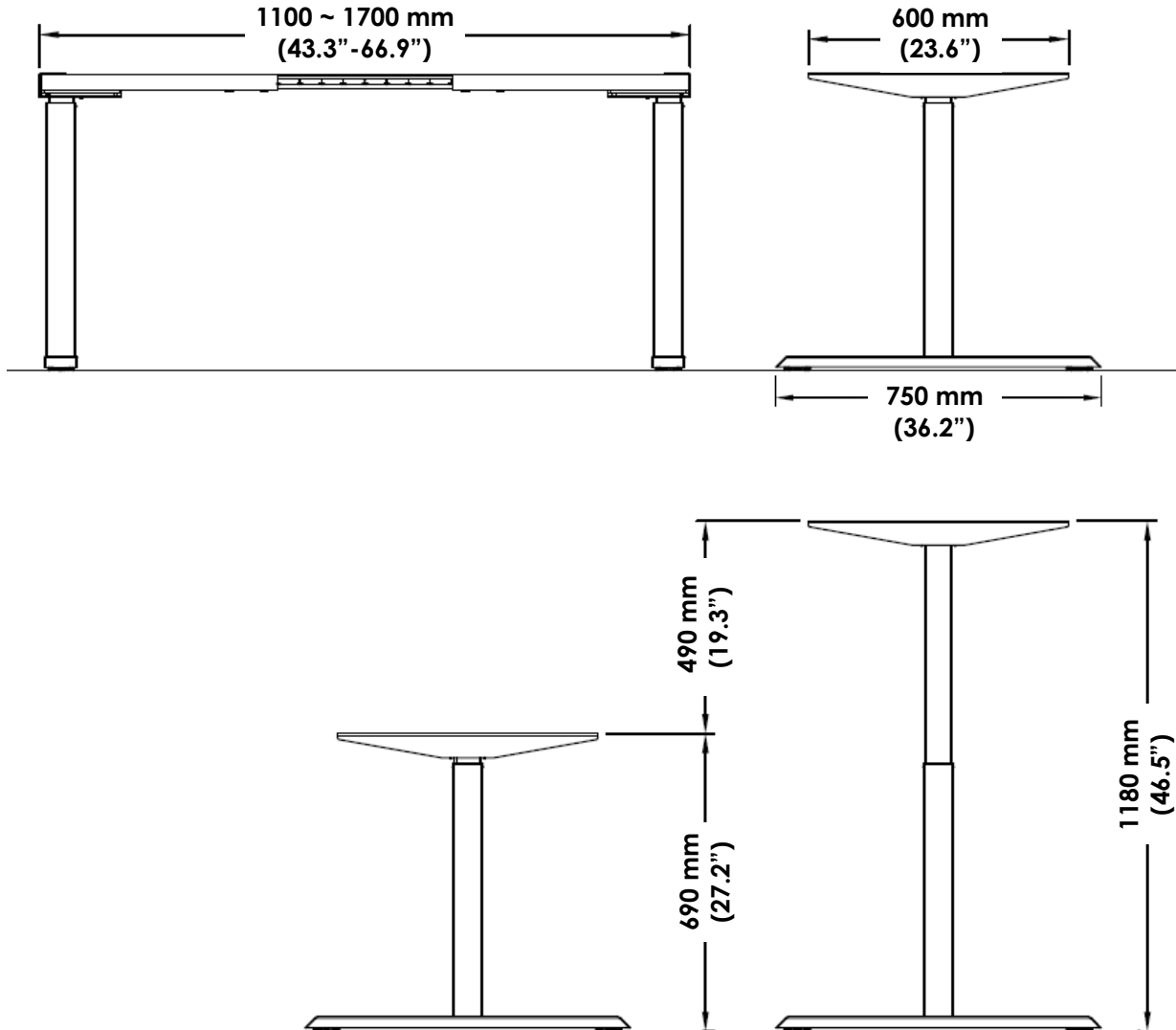


Minimale Gestellhöhe	690mm	(27.2")
Maximale Gestellhöhe	1160mm	(45.7")
Maximaler Hub	470mm	(18.5")
Gestellbreite	1100-1700mm	(43.3"-66.9")
Gestelltiefe	750mm	(36.2")
Minimale Tischplattentiefe	600mm	(23.6")
Max. zulässige Last	80 / 120 kg	

(\* Durchschnittliche Toleranzen = ± 10 mm)


**Steelforce Pro 370 / 570 (60x90) SLS**

(T-Fuß und C-Fuß)




Minimale Gestellhöhe	690mm	(27.2")
Maximale Gestellhöhe	1180mm	(46.5")
Maximaler Hub	490mm	(19.3")
Gestellbreite	1100-1700mm	(43.3"-66.9")
Gestelltiefe	750mm	(36.2")
Minimale Tischplattentiefe	600mm	(23.6")
Max. zulässige Last	80 / 120 kg	

## 6 Betriebshinweise

	<p>Beachten Sie die Bestimmungen im Abschnitt 2 Sicherheitshinweise auf Seite 24, insbesondere:</p> <p>Lassen Sie keine Kinder unbeaufsichtigt mit dem Tischgestell. Kinder können die von diesem Tischgestell ausgehenden Gefahren nicht einschätzen. Kinder können sich erheblich verletzen, bis hin zur Todesfolge. Weitere Vorkehrungen als Schutzmaßnahme gegen die Benutzung durch Kinder sind nicht erforderlich.</p> <p>Überschreiten Sie nicht die maximale zeitliche Verzögerung des Gestells. Stellen Sie sicher, dass ausreichend Platz vorhanden ist, um Zusammenstöße zu vermeiden. Dies gilt insbesondere dann, wenn sich Gegenstände auf der Arbeitsfläche befinden, etwa Computer, Arbeitsmaterial etc.</p>
---	--

### 6.1 Fehlfunktionen

	<p>Entfernen Sie sich umgehend aus der unmittelbaren Umgebung des Gestells, wenn dieses sich ohne Bedienung bewegen sollte. Versuchen Sie auf keinen Fall, das Tischgestell zu verwenden.</p> <p>Nehmen Sie das Tischgestell sofort außer Betrieb, wenn ungewöhnliche Vorkommnisse (Geräusche, Qualm, Rauch, usw.) am Tischgestell entstehen sollten.</p> <p>Lassen Sie das Tischgestell durch einen Fachbetrieb reparieren. Nehmen Sie das Tischgestell erst wieder nach erfolgter Reparatur in Betrieb.</p> <p>Stellen Sie die Verwendung des Tischgestells umgehend ein, wenn die Sicherheitsvorrichtungen nicht mehr ordnungsgemäß arbeiten.</p>
---	--

### 7 Fehlerbehebung

Problem	Mögliche Ursache	Lösung
Gestell bewegt sich nicht.	Kabel oder Anschlüsse schadhafte.	Alle Anschlüsse prüfen. Stromzufuhr einwandfrei?
Gestell bewegt sich nicht.	Wenn die Anschlüsse kontrolliert wurden, kann das Bedienteil schadhafte sein.	Bedienteil austauschen.
Gestell bewegt sich nicht.	Fehler im Netzteil.	Neustart des Systems durchführen.

**Sollte Ihr Problem nicht in der obigen Liste behandelt sein, setzen Sie sich bitte mit dem Kundendienst in Verbindung.**

## 8 Kundendienst

Bei Inanspruchnahme des Kundendienstes bitte stets den Tischgestelltyp angeben.

Händler :

## 9 Hersteller

### **Actiforce International B.V.**

Het Steenland 20  
3751 LA Bunschoten-Spakenburg  
The Netherlands

+31 (0)33 4600120  
www.actiforce.com  
info.holland@actiforce.com

## 10 Entsorgung

### 10.1 Außerbetriebnahme des Tischgestells

- Ziehen Sie den Netzstecker aus der Steckdose.

### 10.2 Tischgestell abbauen und ggf. zerlegen

- Zwecks Abbau und Zerlegung des Tischgestell setzen Sie sich ggf. mit dem Kundendienst Ihres Fachhändlers in Verbindung.

### 10.3 Entsorgung

- Demontieren Sie das Tischgestell nach Werkstoffen getrennt und entsorgen Sie diese umweltgerecht. Bitte nationale Vorschriften beachten!

# 11 EG-Konformitätserklärung nach Anhang II A

Deutsch

Hiermit erklären wir, dass das nachfolgend bezeichnete Gerät den einschlägigen EG-Richtlinien (insbesondere den unten benannten) entspricht und die Serie entsprechend gefertigt wird.

<b>Artikelbezeichnung:</b>	<b>Steelforce Pro 170 SLS, Steelforce Pro 170 C-Fuß SLS, Steelforce Pro 370 SLS, Steelforce Pro 370 C-Fuß SLS, Steelforce Pro 570 (60x90) SLS, Steelforce Pro 570 (60x90) C-Fuß SLS</b>	
<b>Artikelnummer:</b>	<b>SLS12200*00***, SLS12802*00***, SLS28000*00***, SLS28S02*00***, SLS46300*00***, SLS46T02*00***</b> Das erste Symbol <sup>**</sup> kann sein 0 (Touch-Basic), 1 (Touch-FX), 4 (Pro-Basic), 5 (Eco Basic Slide), 8 (Pro-Basic RJ11), 9 (Eco-Basic Slide RJ11) oder A (actiSwitch Pro Memory). Das zweite Symbol <sup>**</sup> kann sein 2 (Smart-2-EU), 3 (Smart-2-EU) oder 7 (ControlForce2). Das dritte Symbol <sup>**</sup> kann sein 11, 18, 29, 30, 78, 82, 83, 90, 94 and etc. Das vierte Symbol <sup>**</sup> kann sein EU, NL, DE, DK, US, GB, WE, MY, CH and etc.	
<b>Baureihe:</b>	<b>Spindle Lift System</b>	
<b>Technische Daten:</b>	Breite	: 1100 mm - 1700 mm
	Höhe <b>(170 SLS)</b>	: 690 mm - 1160 mm
	Höhe <b>(370/570(60x90) SLS)</b>	: 690 mm - 1180 mm
	Tiefe	: 750 mm
	System	: 1 stufig, Elektromotorisch
	Material	: Stahl, Kunststoff und Aluminium
	Max. Nennlast	: 80.0 / 120.0 kg

**Einschlägige EG-Richtlinien :**  
**Elektromagnetische Verträglichkeit (2014/30/EG), Niederspannungsrichtlinie (2006/95/EG ; ab 20.04.2016 ist diese Nummer: 2014/35/EU)**

**Harmonisierte EN-Fach- und Grundnorm**

**170 / 370 SLS mit Smart**

IEC 60335-1	47 CFR FCC Part 15 Subpart B (2016)	ICES-003 Issue 6 January 2016
UL962	AS/NZS 60335.1	

**570 (60x90) SLS mit Smart**

UL962	47 CFR FCC Part 15 Subpart B (2016)	ICES-003 Issue 6 January 2016
IEC60335-1		

**170 / 370 / 570 (60x90) SLS mit CF2**


UL962	47 CFR FCC Part 15 Subpart B (2016)	ICES-003 Issue 6 January 2016
-------	-------------------------------------	-------------------------------

**Der Artikel entspricht folgenden, zur Erlangung des CE-Zeichens erforderlichen Normen:**

**170 SLS mit Smart**

EN 61000-3-2	EN 61000-3-3	EN 55014-1	EN 55014-2	EN 55032	EN 55024
EN 60335-1	EN 62233				

**370 SLS mit Smart**

	EN 61000-3-2	EN 61000-3-3	EN 55014-1	EN 55014-2	EN 55032
	EN 55024	EN 60335-1	EN 62233		

**570 (60x90) SLS mit Smart**

**170 / 370 / 570 (60x90) SLS mit CF2**

EN 61000-3-2	EN 61000-3-3	EN 55014-1	EN 55014-2	EN 60335-1	EN 62233
--------------	--------------	------------	------------	------------	----------

**Hersteller** **Actiforce International BV**  
**Het Steenland 20**  
**3751 LA Bunschoten-Spakenburg** **Inverkehrbringer**  
**Niederlande**



## 1 Algemeen

### 1.1 Waarde van de montage- en gebruikershandleiding

Kennis van de basisveiligheidsinformatie en de voorschriften zijn de leidraad voor een veilige en probleemloze toepassing van deze werktafel. Deze montage- en gebruikershandleiding bevat de belangrijkste informatie die nodig is voor het veilig monteren en gebruiken van het tafelframe. Deze montage- en gebruikershandleiding, en in het bijzonder de veiligheidsinformatie, moet als leidraad dienen voor de persoon die het frame gaat monteren en in gebruik gaat nemen. Wat nog belangrijker is, zijn de regels en de voorschriften die van toepassing zijn voor het voorkomen van ongevallen die tijdens de montage van de werktafel altijd nageleefd moeten worden.

### 1.2 Beoogd gebruik

Het tafelframe mag alleen worden gebruikt in kantoren of andere afgesloten ruimten als in hoogte zijnde verstelbare werktafel voor zittend of staand gebruik. Het tafelframe is alleen voor dit doeleinde bedoeld. Elk ander gebruik dan het bovenstaande is ongepast. De fabrikant kan op geen enkele manier aansprakelijk worden gesteld voor schade die voortvloeit uit onjuist gebruik. Dit apparaat kan worden gebruikt door kinderen vanaf 8 jaar en personen met beperkte lichamelijke, zintuiglijke of geestelijke vermogens of gebrek aan ervaring of kennis, mits ze onder toezicht staan of instructies hebben gekregen om dit apparaat veilig te gebruiken en de gevaren te herkennen en te begrijpen. Kinderen moeten tijdens het gebruik onder toezicht staan zodat ze niet met het apparaat kunnen spelen. Reiniging en onderhoud mogen niet zonder toezicht door kinderen worden uitgevoerd.

Beoogd gebruik houdt ook in:

- Het bestuderen van alle informatie uit de montage- en bedieningshandleiding en
- Het verbod op elke vorm van uitbreiding/aanpassing van de werktafel.

### 1.3 Onjuist gebruik

- Gebruik het tafelframe nooit als lift voor mensen of goederen.
- Overschrijd niet het maximale draagvermogen van het tafelframe.
- Bedien de werktafel alleen met het inbegrepen bedieningspaneel.

### 1.4 Aarding instructive (systeem met SMART/COMPACT-besturing)

Het tafelframe moet geaard worden. Sluit het tafelframe alleen aan op een goed geaard stopcontact. Als deze een storing veroorzaakt of kapot gaat, dan zorgt de aarding ervoor dat de elektriciteit wordt omgeleid om het risico op een elektrische schok te verkleinen. Het tafelframe is uitgerust met een snoer en een geaarde stekker zoals te zien is op afbeelding 1. De stekker moet in een geschikt stopcontact worden gestoken dat tevens volgens de lokale normen correct geïnstalleerd en geaard is.

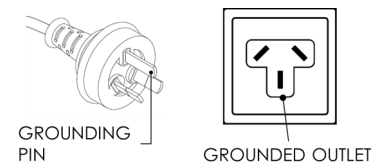


Figure 1

*Dit apparaat bevat een aardaansluiting voor alleen deze gebruiksfunctie.*



De aarding biedt alleen bescherming wanneer de terminal wordt aangesloten op de potentiaalvereffening van het gebouw waarin het werkstationframe wordt geplaatst. Terminals voor de aansluiting van externe potentiaalvereffeningsgeleiders zijn geschikt voor de aansluiting van geleiders met een nominaal dwarsdoorsnedeoppervlak van 2,5 mm<sup>2</sup> tot 6 mm<sup>2</sup>.

### 1.5 Gevaar

Een verkeerde aansluiting van de aardgeleider van het werkstationframe kan een elektrische schok veroorzaken. Raadpleeg een erkende elektricien als u twijfelt of het product op de juiste manier is geaard. Breng geen veranderingen aan de bij het product geleverde stekker aan. Als de voedingsskabel beschadigd is, moet deze worden vervangen door een speciale kabel of set die verkrijgbaar is bij de fabrikant of diens servicevertegenwoordiger.

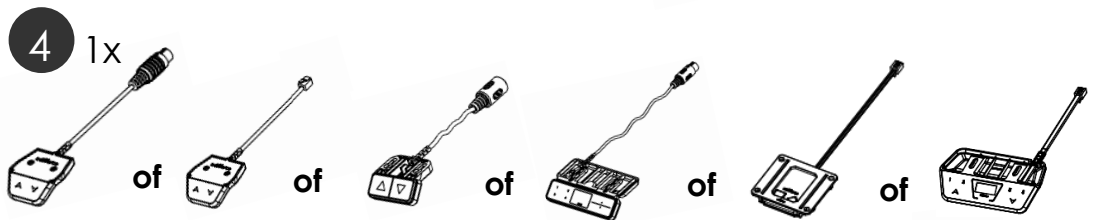
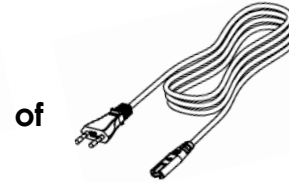
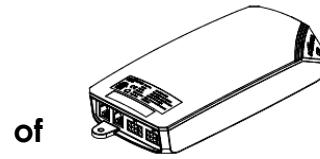
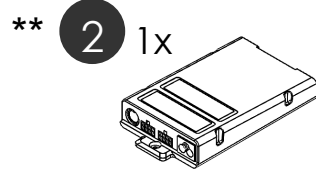
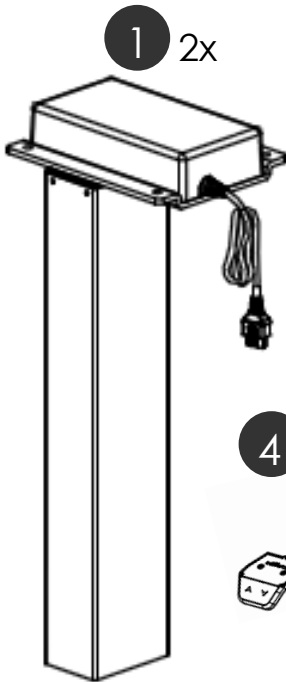
**WAARSCHUWING: Wijzigingen of aanpassingen die niet uitdrukkelijk door de fabrikant zijn goedgekeurd, kunnen ertoe leiden dat het recht van de gebruiker om de apparatuur te gebruiken vervalt.**

### 1.6 Inhoud verpakking



Monteer het frame met twee personen.

#### Onderdelen



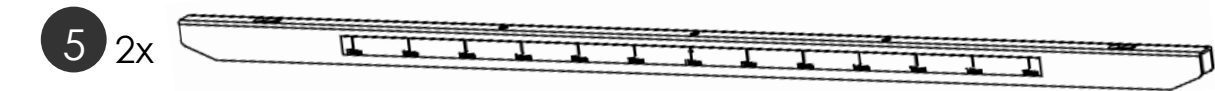
of

of

of

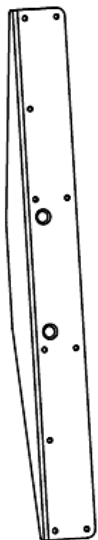
of

of

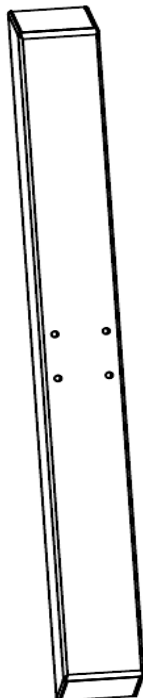


#### T-Voet

7 2x

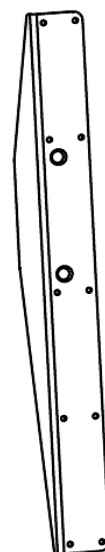


8 2x

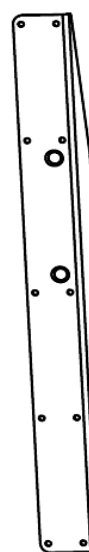


#### C-Voet

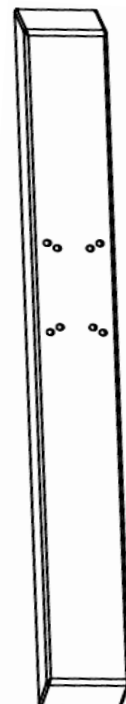
9 1x



10 1x

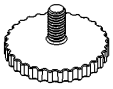


11 2x

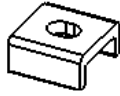


**Montage onderdelen set**

A 4x



B 4x



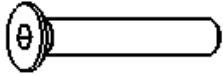
C 2x



D 4x

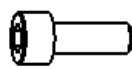


E 8x



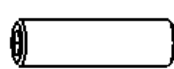
M8x50

F 8x



M6x16

G 8x



M10x35

H 30x  
28x

4.5x20

**Inbussleutel**

\*\* Transformator 2(a) :

1. SMART-e-2-actiforce-EU : Input: 220-240Vac, 50-60Hz, 2.5A; Output: 288VA / 24V  $\overline{\overline{\overline{\quad}}}$
2. SMART-e-2-actiforce-US : Input: 120Vac, 60Hz, 5A; Output: 216VA / 24V  $\overline{\overline{\overline{\quad}}}$

\*\* Transformator 2(b) :



ControlForce 2 : Input: 100-120Vac, 60Hz, 5A max; Output: 24Vdc  $\overline{\overline{\overline{\quad}}}$  9.2A  
 220-240Vac, 50Hz, 2A max; Output: 24Vdc  $\overline{\overline{\overline{\quad}}}$  5A

Tafel : 24VDC, 4A


## 2 Veiligheidsinstructies

### 2.1 Verklaring van symbolen en instructies



In deze handleiding worden de volgende aanduidingen en symbolen voor gevaren gebruikt:

	Dit symbool betekent een rechtstreeks dreigend gevaar voor leven en gezondheid van personen. Het niet in acht nemen van deze instructies kan ernstige schade aan de gezondheid toebrengen en zelfs levensgevaarlijk lichamelijk letsel of de dood tot gevolg hebben.
	Dit symbool verwijst naar een belangrijke instructie. Het niet in acht nemen ervan kan tot schade aan de tafel leiden.

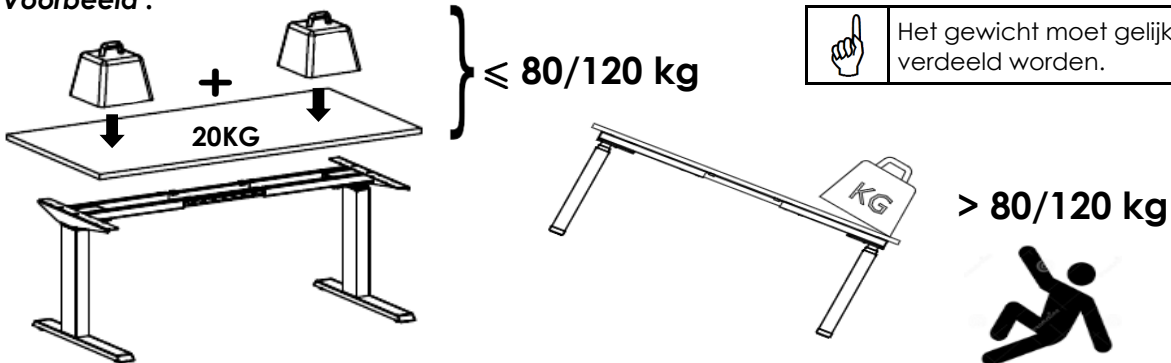
### 2.2 Gebruikte symbolen op het frame

	Leg geen voorwerpen of lichaamsdelen onder het frame of tussen de onderdelen van de crossbar. Er bestaat risico op ernstig lichamelijk letsel.
---	--

### 2.3 Maximaal toegestaan gewicht op het frame


		De maximale toegestane belasting van niet overschrijden (a) 80 kg inclusief tafelblad (Smart-e-2) (b) 120 kg inclusief tafelblad (Controlforce 2) op het frame. Vermijd onevenwichtige belasting, verdeel het gewicht gelijkmatig anders kan overbelasting optreden. Overbelasting van een frame kan schade veroorzaken en personen in de nabije omgeving kunnen als gevolg hiervan ernstige verwondingen oplopen.
--	--	---

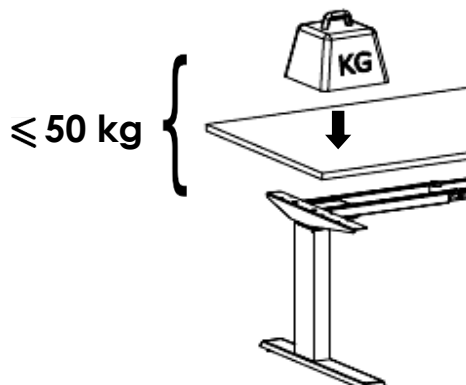
Voorbeeld :



Het gewicht moet gelijkmatig verdeeld worden.

### 2.4 Maximaal toegestaan gewicht per kolom

	Belast de kolommen met niet meer dan met de maximaal toegestane belasting. Overbelasting kan leiden tot een defect aan het frame en ernstig lichamelijk letsel.
---	---



## 2.5 Organisatorische maatregelen

- Monteer het frame bij voorkeur met twee personen. Vooral het draaien van het frame met het gemonteerde werkblad moet door twee personen geschieden!

## 2.6 Informele veiligheidsmaatregelen

- Bewaar de montage- en bedieningshandleiding altijd op de plaats waar het frame wordt gebruikt.
- Zorg ervoor dat alle veiligheids- en risico-instructies op het frame leesbaar blijven en vervang deze eventueel.

## 2.7 Vereisten aan de monteurs

- Alleen personen ouder dan 16 jaar mogen het frame opbouwen en eraan werken.
- De hierboven genoemde personen moeten de montage- en bedieningshandleiding hebben gelezen en begrepen.

## 2.8 Transport en montage

- Verplaats het frame uitsluitend met twee personen en in ingeschoven toestand.
- Sleep of duw het frame niet over de vloer.
- Monteer het frame uitsluitend met behulp van het meegeleverde gereedschap. Alleen dan is gegarandeerd dat de schroeven perfect worden aangedraaid.

## 2.9 Gebruik van het frame

- Laat kinderen niet zonder toezicht het frame gebruiken. Kinderen zijn niet in staat om de gevaren van het frame in te schatten. Ze lopen hierdoor groot risico op ernstig letsel, mogelijk zelfs met fatale gevolgen. Zorg er in ieder geval voor dat het frame niet verder versteld kan worden indien het toch door kinderen wordt gebruikt.
- Gebruik het frame uitsluitend in een hiervoor geschikte omgeving.
- Gebruik het frame niet op een oneffen ondergrond. Het frame staat dan niet stevig en er bestaat gevaar voor kantelen.
- Zorg ervoor dat de maximale belasting van het frame nooit overschreden wordt.

## 2.10 Specifieke gevaren

- Bij het afstellen van de hoogte van het frame is er kans op letsel. Zorg ervoor dat zich niemand anders in de directe omgeving van het frame bevindt.
- Zorg bij het monteren van het frame voor voldoende ruimte om botsingen in alle mogelijke richtingen te voorkomen (bijv. schuin dak, vaste voorwerpen, archiefkasten, prullenbakken etc.).
- Zorg voor voldoende ruimte om botsingen te voorkomen indien zich voorwerpen, zoals computers of randapparatuur, op het werkblad bevinden.
- Zorg voor een vrije ruimte van tenminste 25 mm tot alle andere meubels rondom het frame.

## 2.11 Instructies voor noodgevallen

- Stel het frame onmiddellijk buiten bedrijf wanneer er zich iets ongebruikelijks bij het frame voordoet (vreemde geluiden etc.).
- Laat het frame door een gespecialiseerd bedrijf repareren. Neem het frame pas weer in gebruik nadat het gerepareerd is.

## 2.12 Onderhoud en instandhouding

- Het frame en de onderdelen ervan zijn onderhoudsarm en vereisen geen speciaal regelmatig onderhoud.
- Voer zelf geen reparaties uit aan de tafel of de onderdelen.
- Wijzig niets aan de constructie van de tafel of het frame.
- Vervang defecte onderdelen uitsluitend door nieuwe originele onderdelen van de fabrikant. Gebruik alleen originele vervangingsonderdelen vervaardigd door de fabrikant. Laat het vervangen van defecte onderdelen over aan een gespecialiseerd bedrijf. Deze montage- en bedieningshandleiding moet hierbij in acht genomen worden.

**2.13 Reiniging**

- Haal het werkstation altijd uit het stopcontact voordat u het schoonmaakt.
- Verwijder eenmaal per week het stof van het frame met een droge doek.
- Maak het frame om de twee weken schoon met een vochtige doek en een niet agressief schoonmaakmiddel.

**2.14 Overige risico's**

Dit frame is gebouwd volgens de laatste stand van de techniek en de erkende veiligheidstechnische normen. Desondanks kunnen er bij gebruik ervan gevaar voor gezondheid en veiligheid van de gebruiker of derden, respectievelijk schade aan het frame of aan andere voorwerpen van waarde ontstaan. Het frame mag uitsluitend worden gebruikt:

- Overeenkomstig het beoogde doel.
- In veiligheidstechnische perfecte toestand.

### 3 Montage



Let vóór iedere montage op de veiligheidsinstructies van hoofdstuk 2.

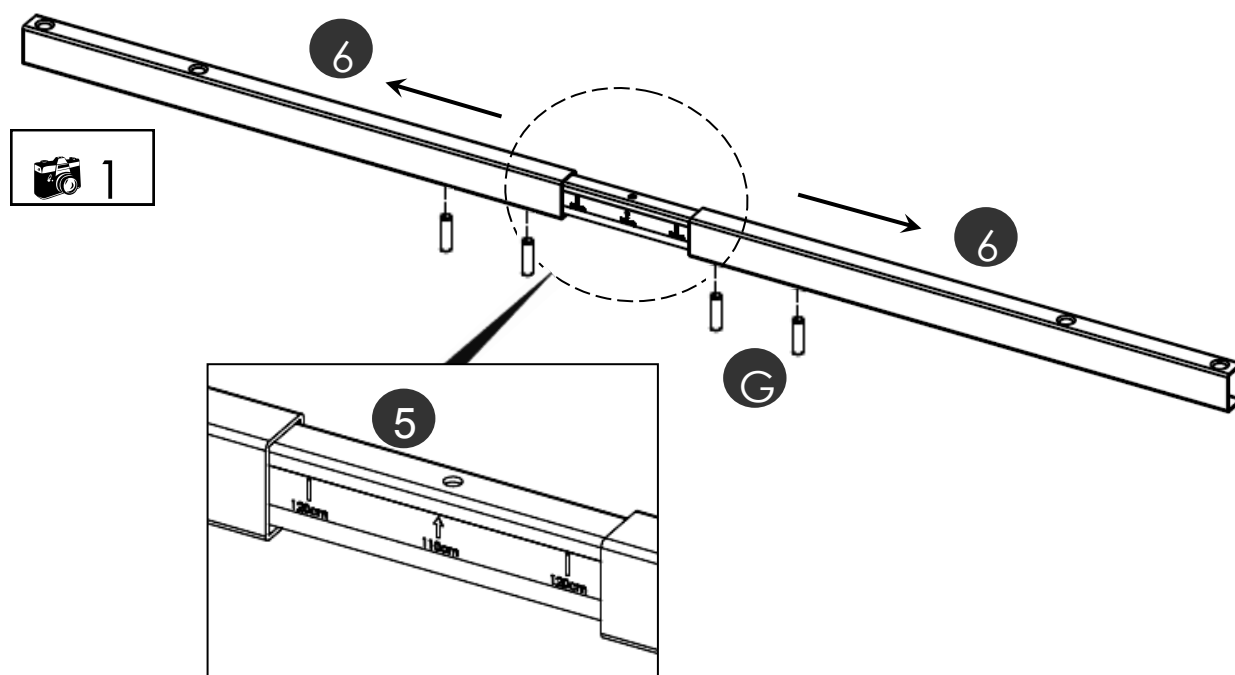


Het is aan te bevelen om een onderlaag te gebruiken om de componenten en de vloer voor krassen te beschermen. U kunt hiervoor bijvoorbeeld de meegeleverde kartonnen doos gebruiken door deze uit te vouwen.

#### 3.1 Voormontage van de crossbar

##### 3.1.1 Aanbevolen bladmaat

Frame-breedte	Werkblad breedte	Werkblad diepte	werkblad dikte
110 cm	120 cm	80 cm	2.5 cm
130 cm	140 cm	80 cm	2.5 cm
150 cm	160 cm	80 cm	2.5 cm
170 cm	180 cm	80 cm	2.5 cm



Draai de schroeven nog niet helemaal vast!

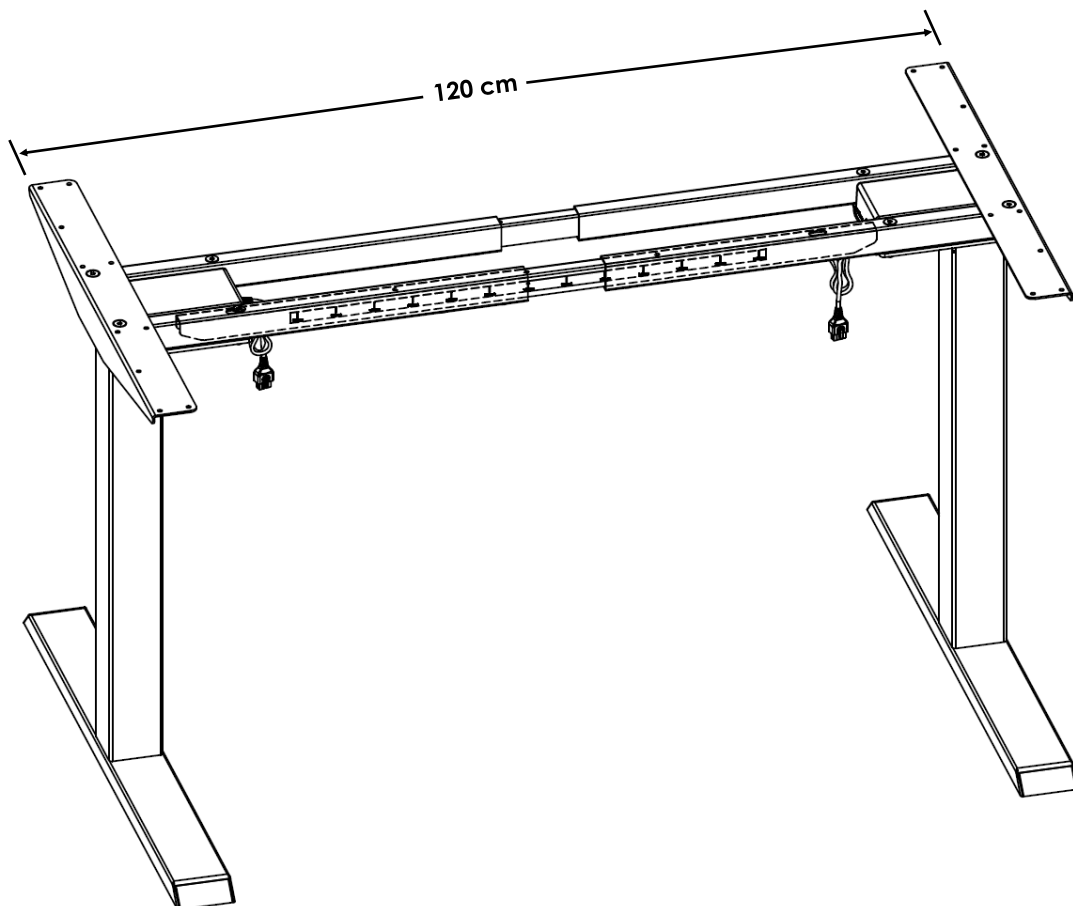
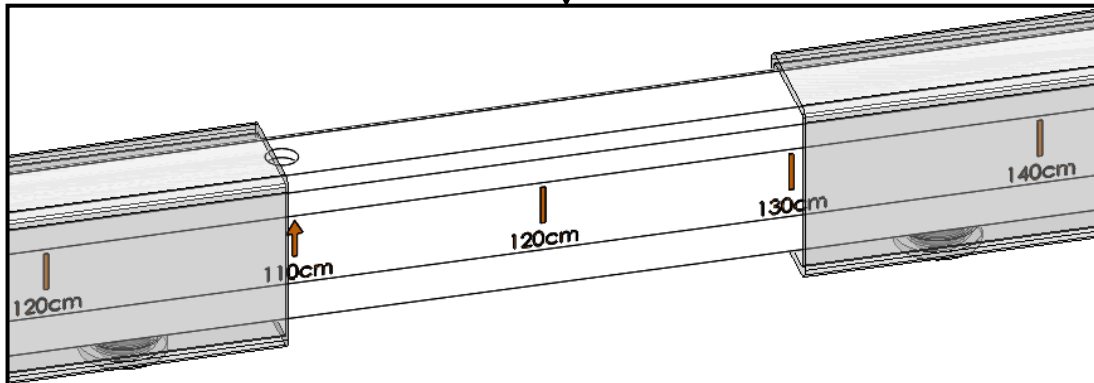
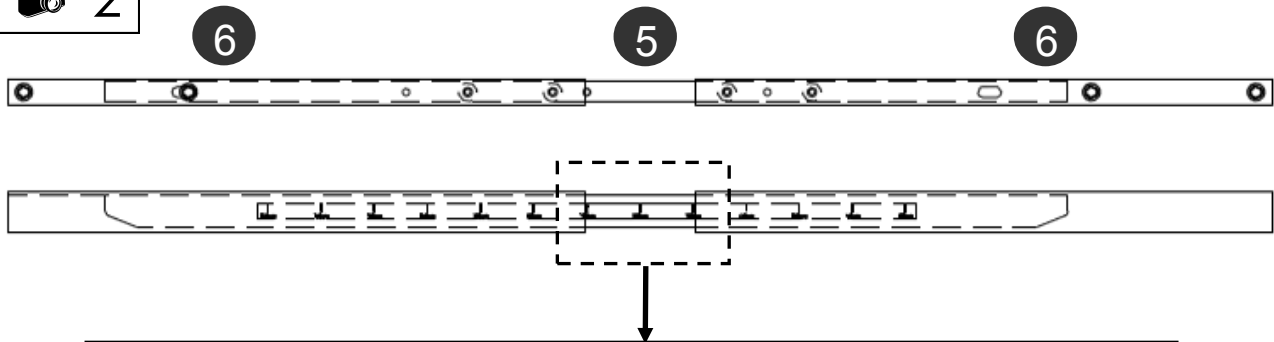
## 3.1.2 120cm Frame instelling



Frame instellen op 120cm - verschuif de binnenste crossbar tot 110 cm en 130cm zoals weergegeven in onderstaande afbeelding.



2

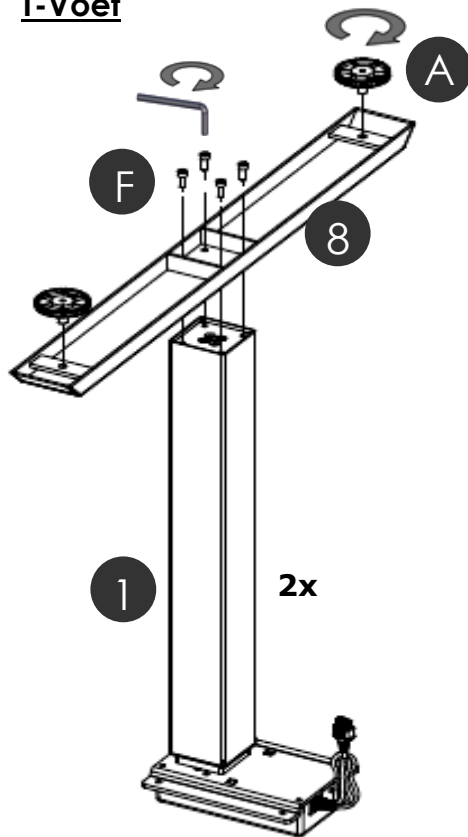




### 3.2 Montage van de voeten

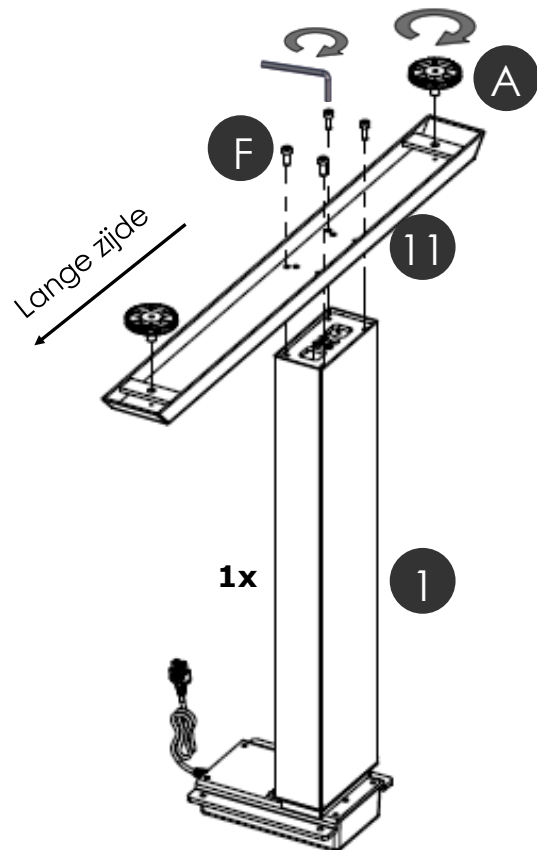
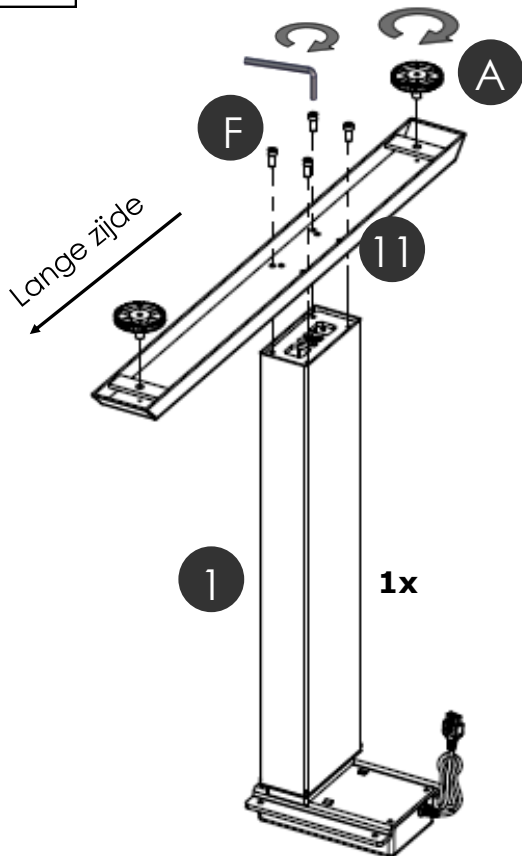
 3

#### T-Voet

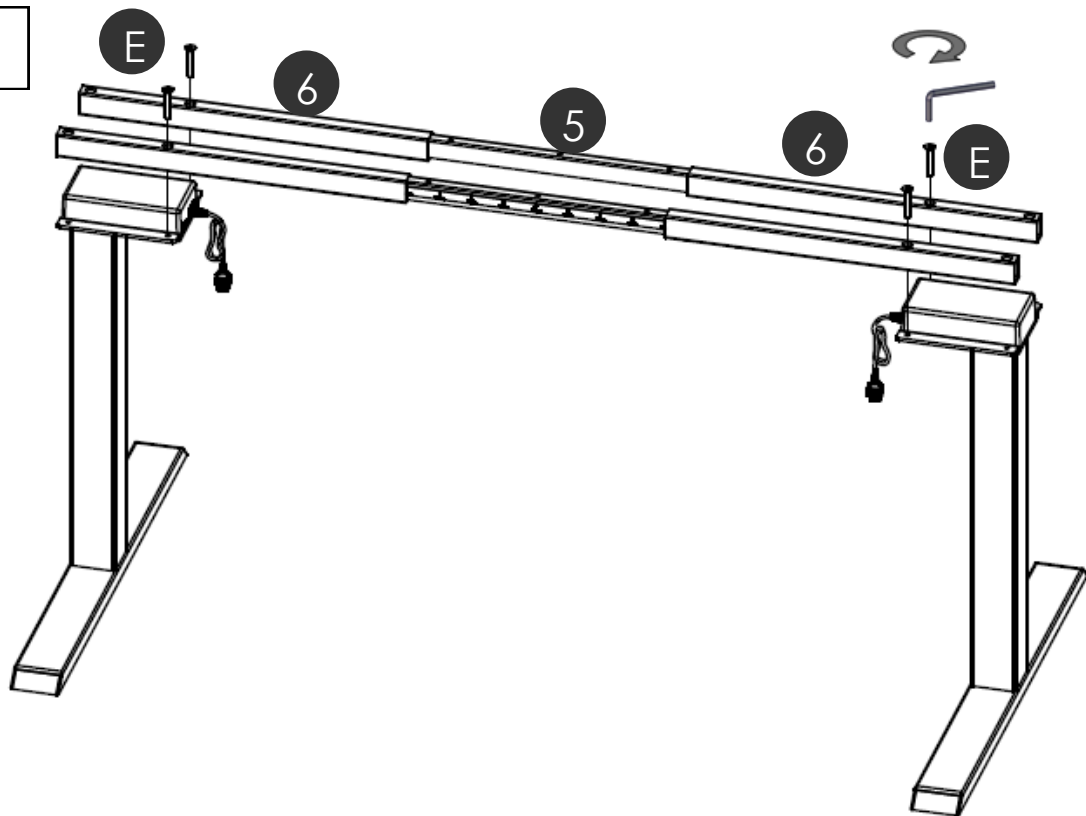


 4

#### C-Voet



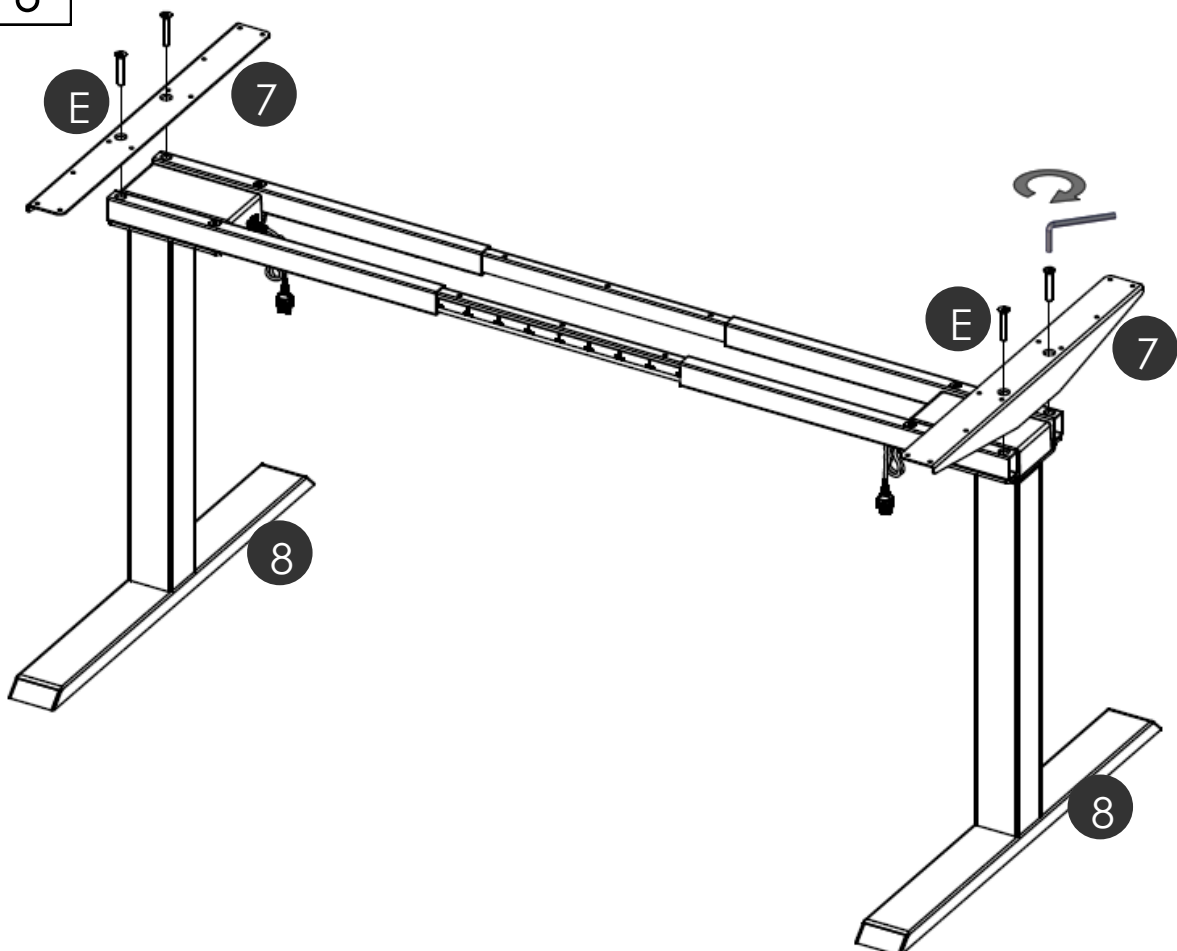
### 3.3 Montage van de crossbar



### 3.4 Montage van de bladragers

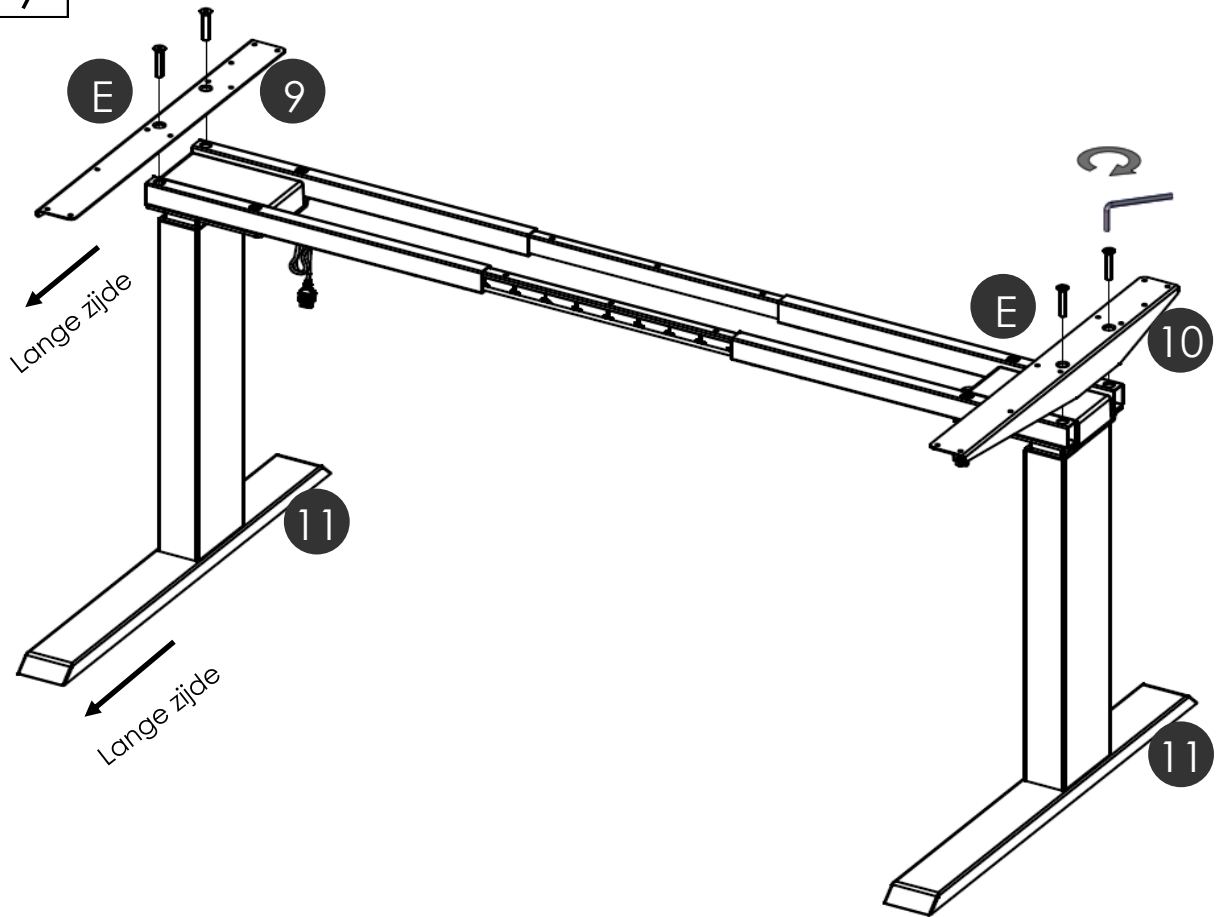


T-Voet

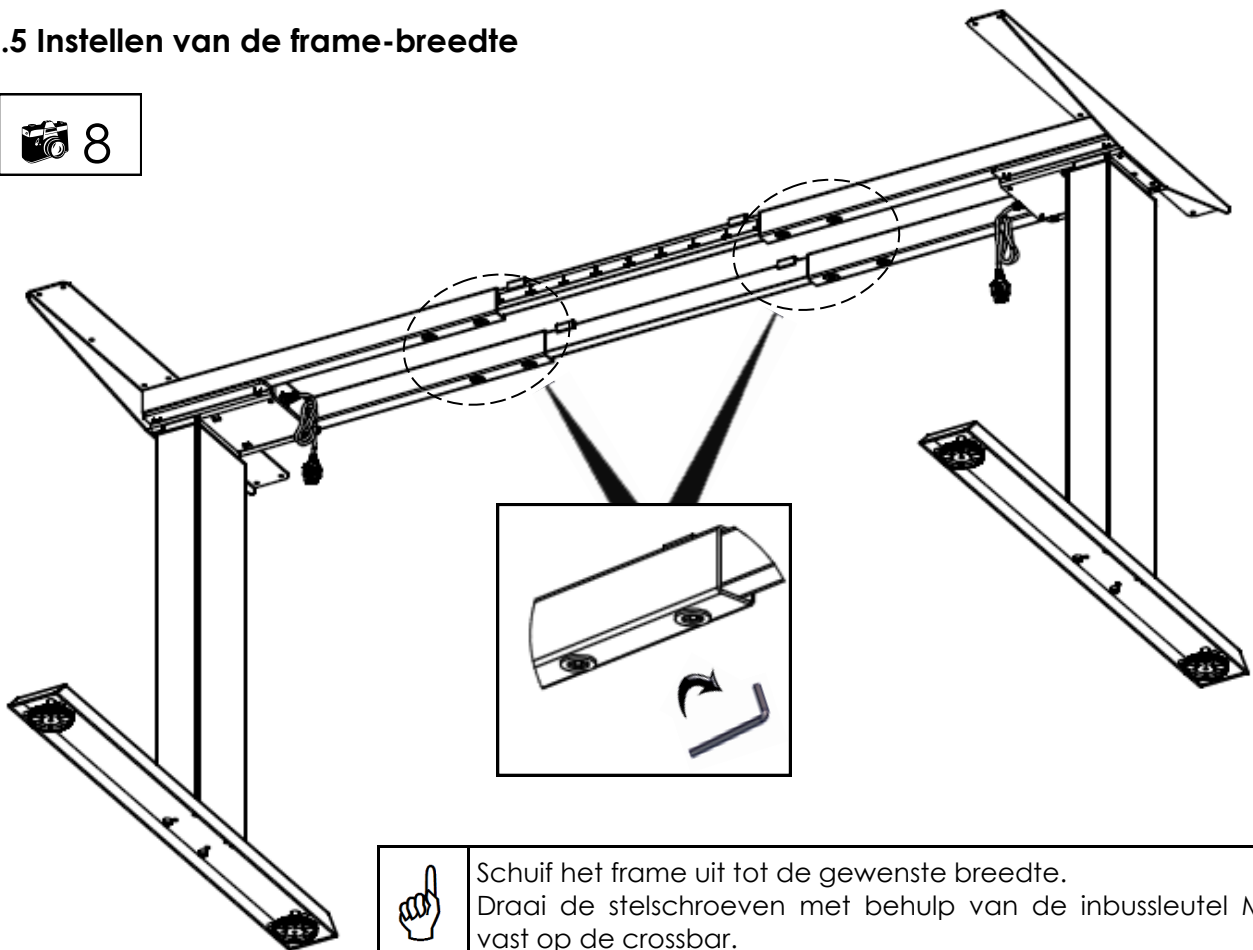




**C-Voet**



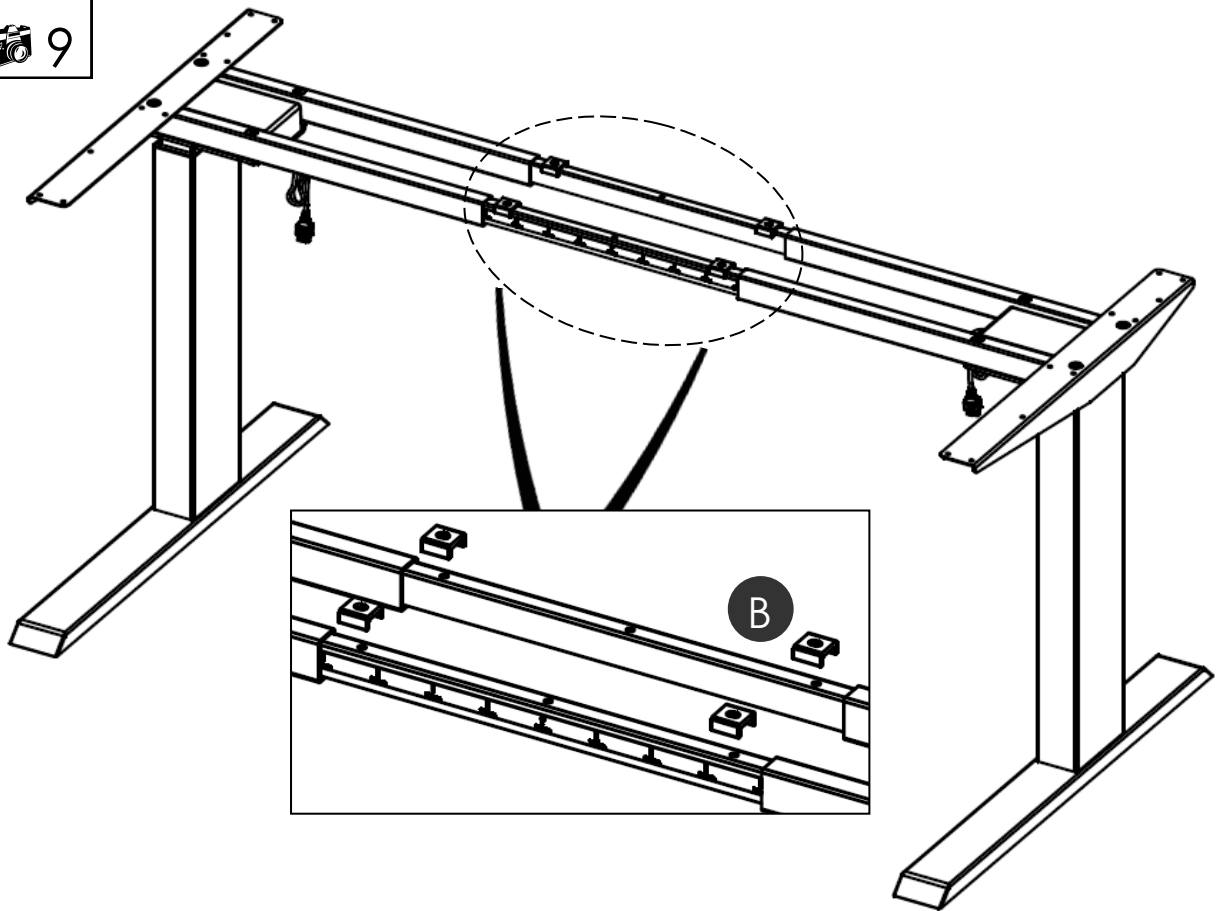
**3.5 Instellen van de frame-breedte**



 Schuif het frame uit tot de gewenste breedte.  
Draai de stelschroeven met behulp van de inbusleutel M5 vast op de crossbar.

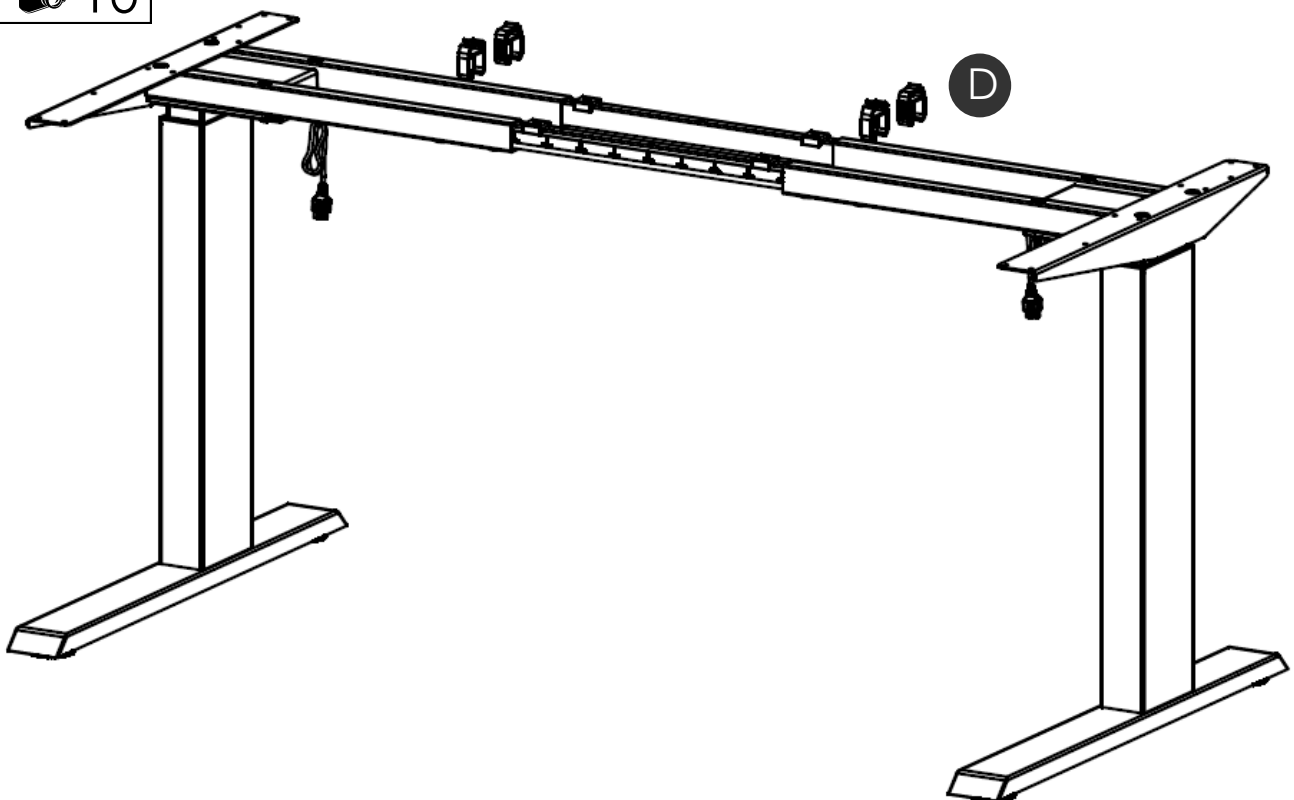
### 3.6 Montage van de afstandhouders

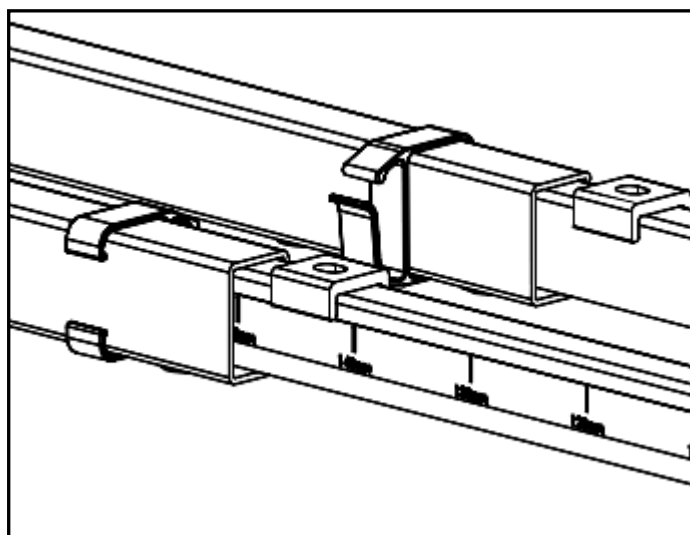
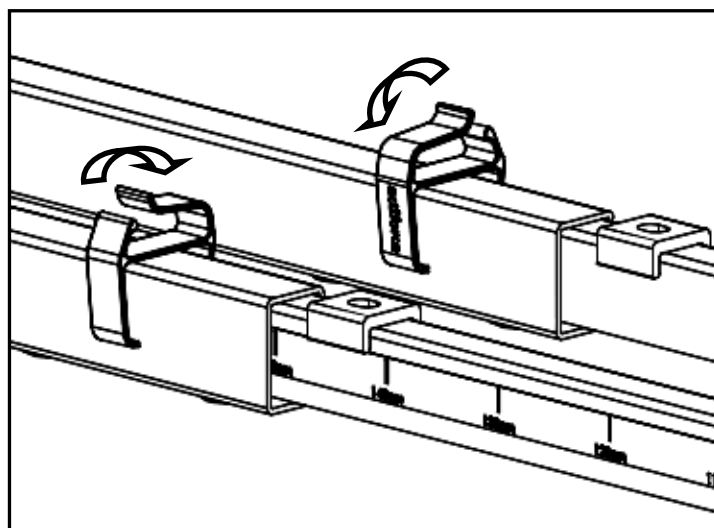
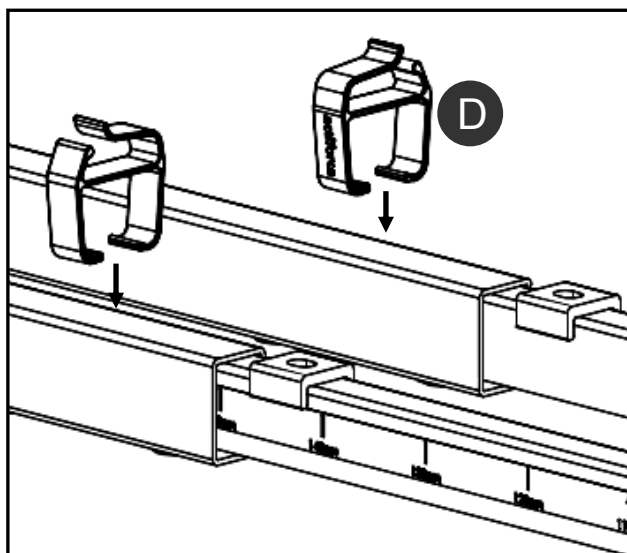
9



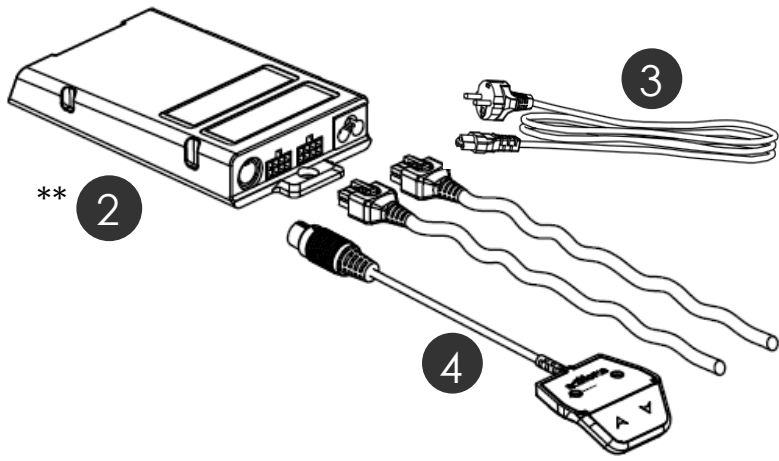
### 3.7 Montage van de kabelbinders

10

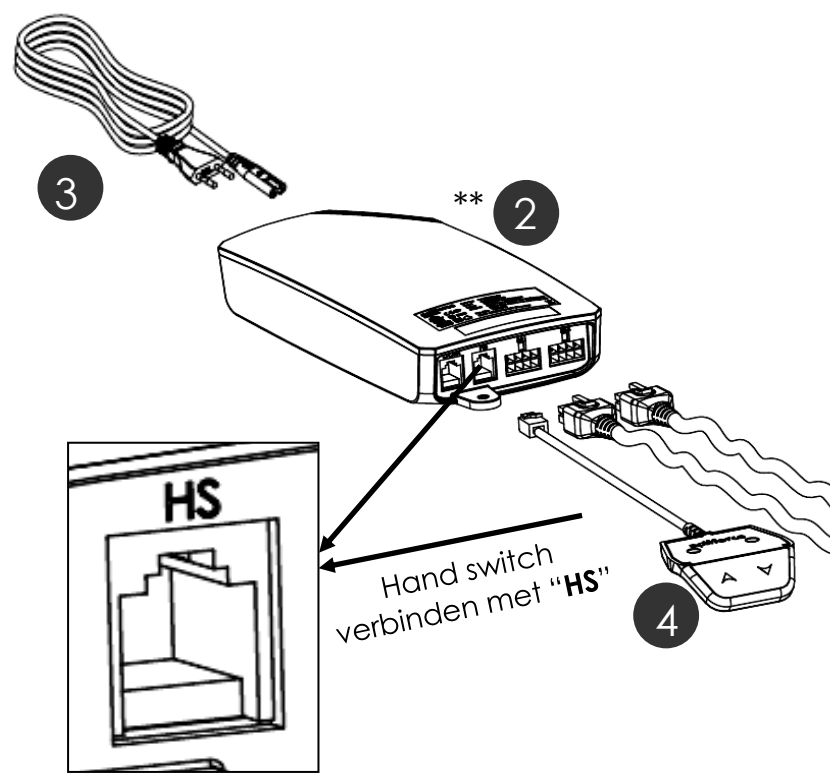




### 3.8 Aansluiten van de elektrische componenten

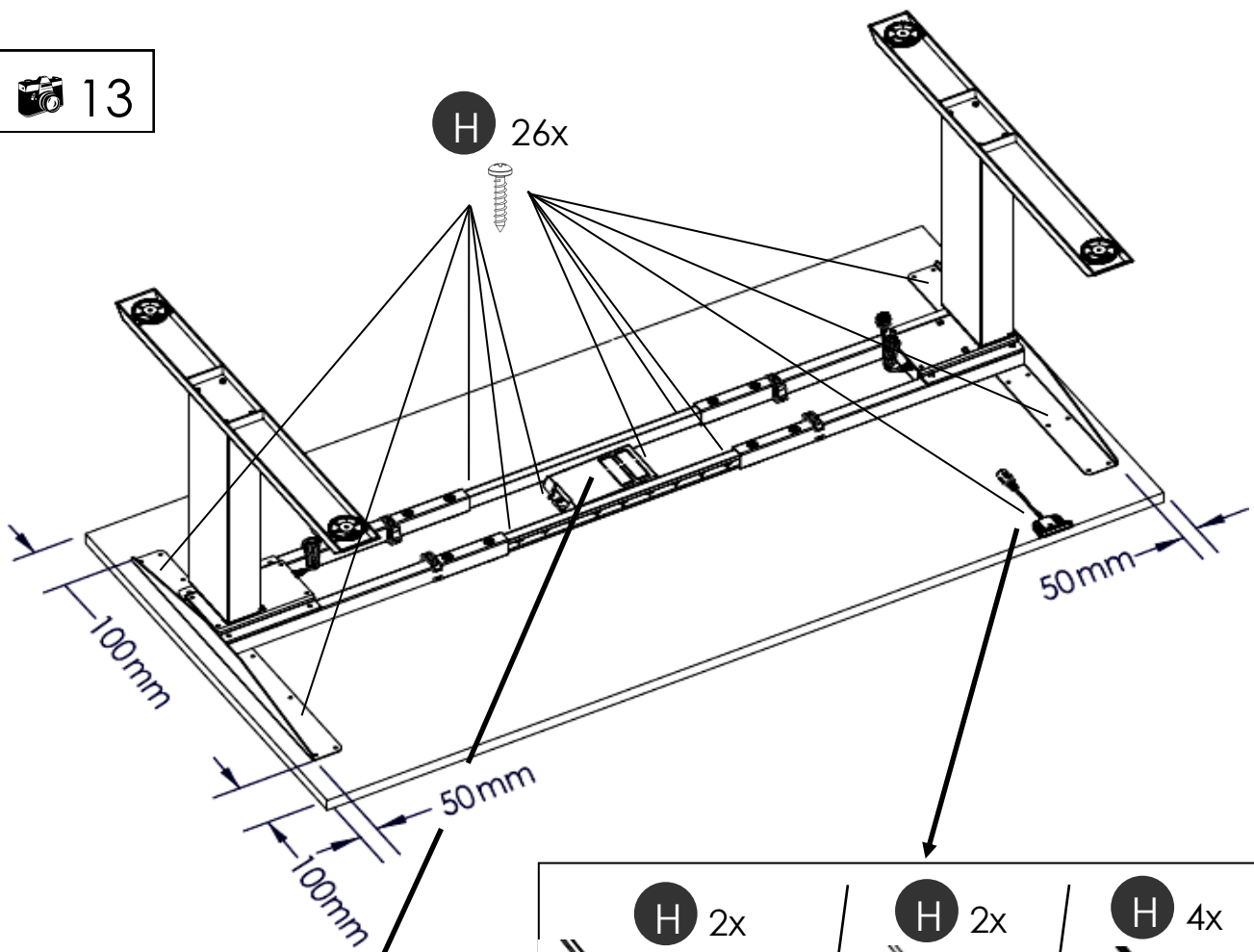


OPTIONEEL

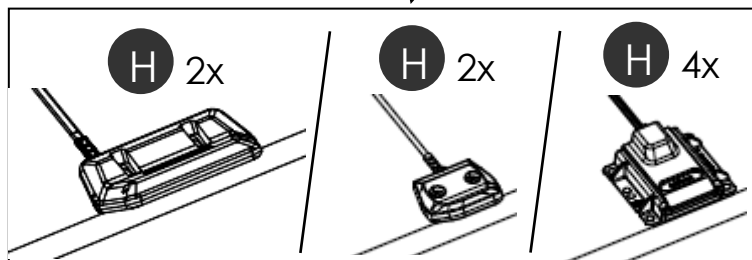
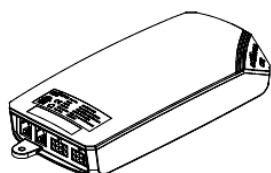


 Het is essentieel dat uw frame in hoogte verstelbaar is. De kabels van de elektrische componenten mogen tijdens een hoogteverstelling niet belemmerd worden. Let er hierbij op dat de maximale hoogteverstelling altijd mogelijk moet zijn!

3.9 Montage van het werkblad  
3.10 Montage van de handbediening



OPTIONEEL

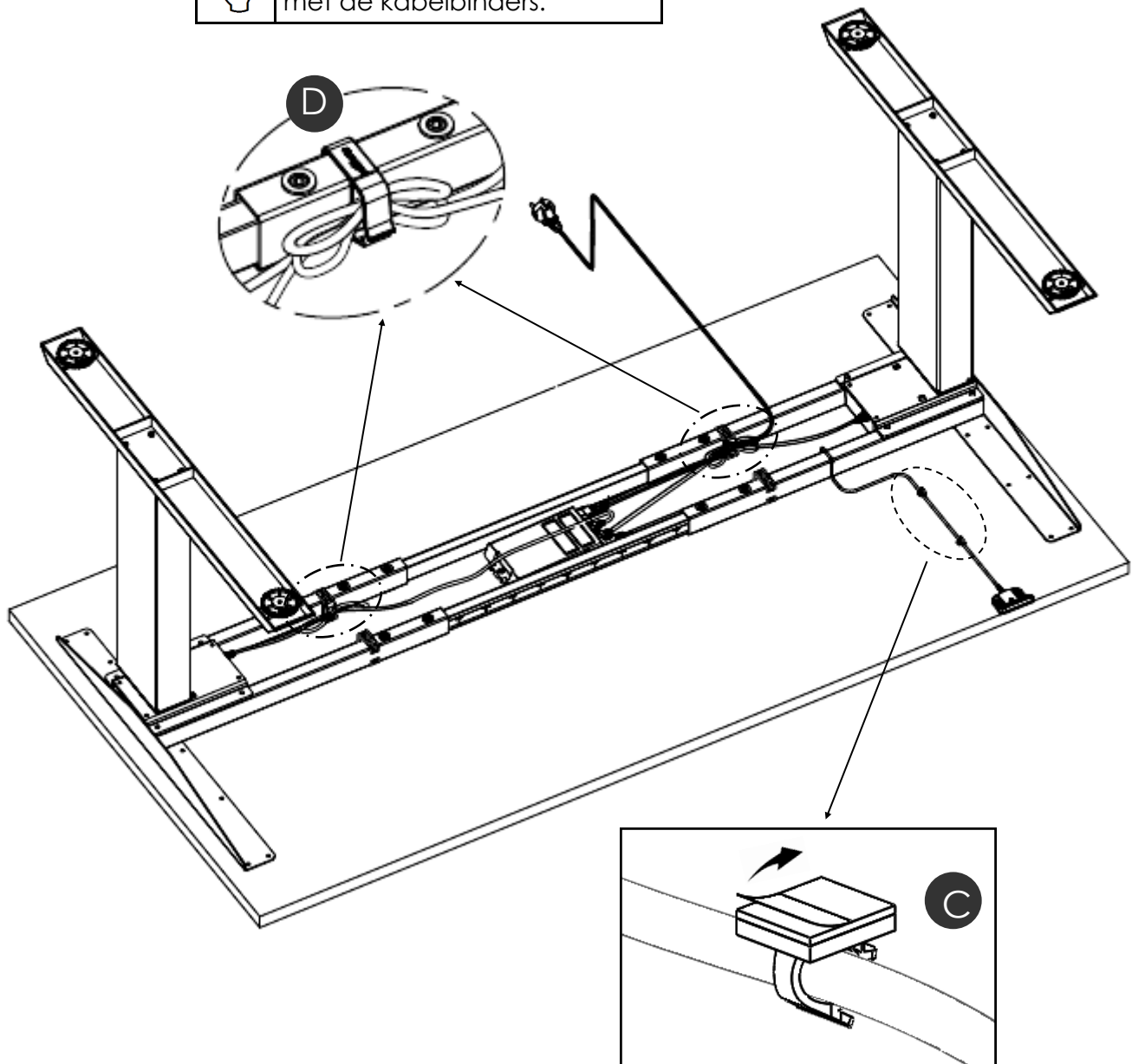


Instructies voor het installeren van de ActiSwitch Pro-Memory vindt u in SLS-IM0061-1EN-DE-NL.

### 3.11 Montage van de kabelclips

 14

Bind de losse kabels samen met de kabelbinders.



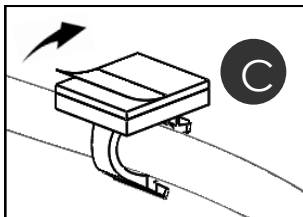
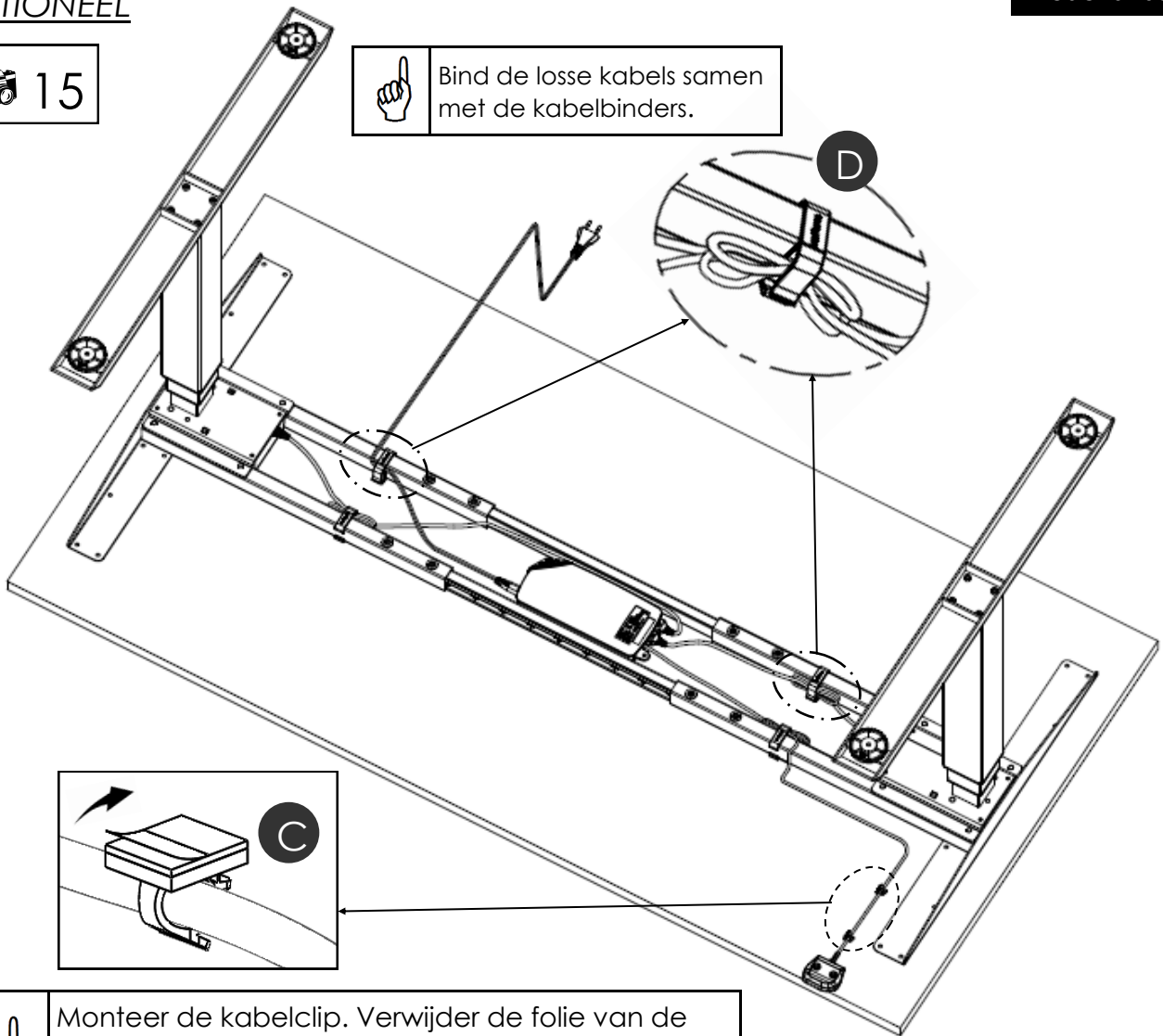
Monteer de kabelclip. Verwijder de folie van de kabelclip en plak deze aan de onderkant van het werkblad. Plaas de kabel in de kabelclip.



 15



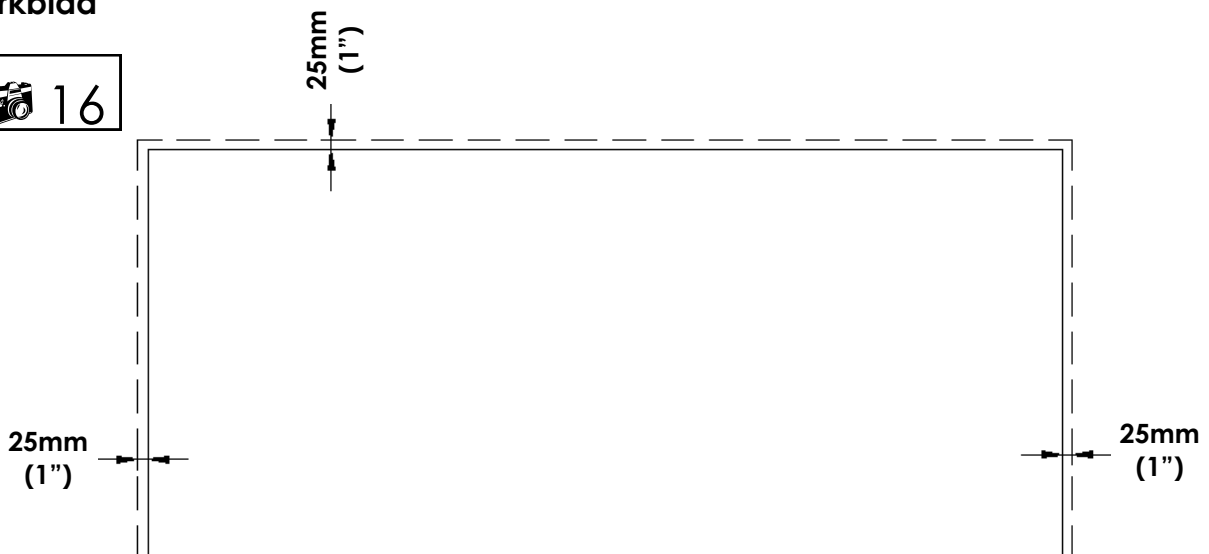
Bind de losse kabels samen met de kabelbinders.



Monteer de kabelclip. Verwijder de folie van de kabelclip en plak deze aan de onderkant van het werkblad. Plaats de kabel in de kabelclip.




**3.12 Afstand van 25 mm tussen de muur of andere objecten en het werkblad**

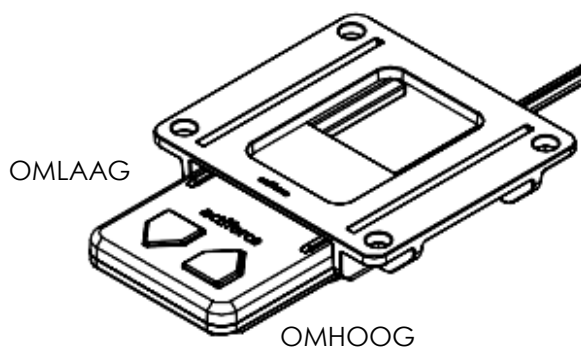
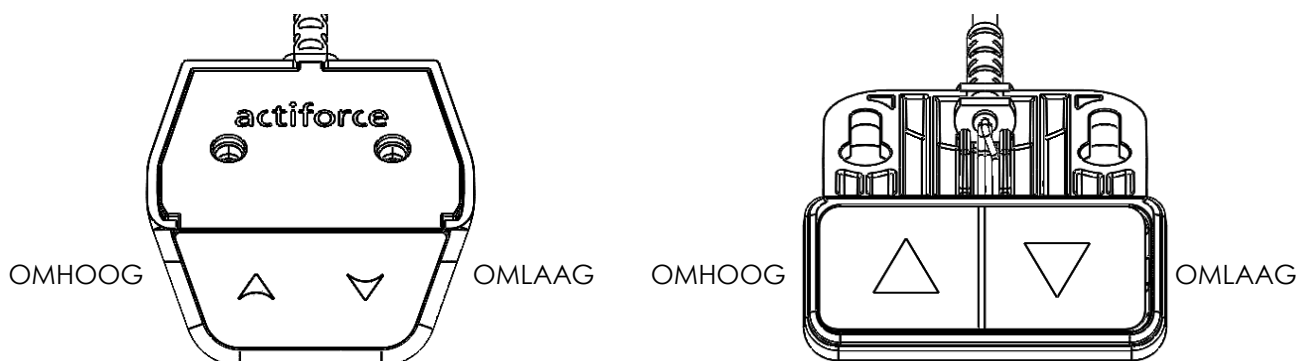
 16



Houd een minimum van 25 mm afstand tussen het werkblad en de muur of andere objecten.

## 3.13 Frame test zonder werkblad

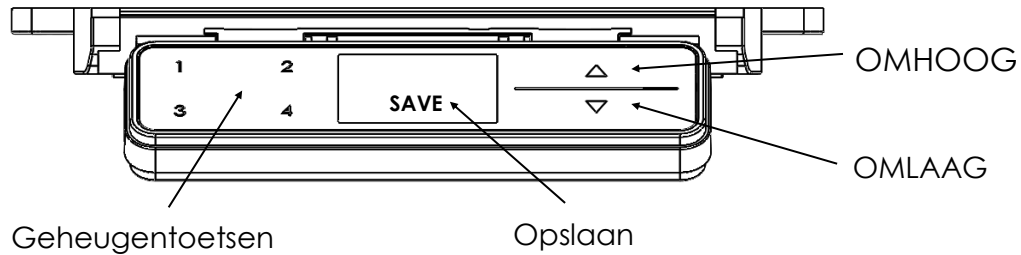
	Let erop dat het frame te allen tijde correct en vrij kan bewegen.
	Indien de kabel van de elektrische componenten moet worden losgekoppeld, dient u eerst de stroomtoevoer los te koppelen.
	Indien het frame niet naar behoren werkt, stop dan direct met werken aan het frame. Koppel het frame los van de stroomtoevoer en neem contact op met de klantenservice voor verder advies.

**Resetmodus**

Als u de stekker voor de eerste keer in het stopcontact steekt, kan de hoogte-instelling uitsluitend in de resetmodus worden bediend. Zolang de resetmodus is ingeschakeld, kan het frame uitsluitend omlaag bewegen. Volg voor normaal gebruik van het frame de onderstaande stappen:

- Druk de toets OMLAAG in en houd deze ingedrukt. Het frame beweegt langzaam omlaag.
- Breng het frame naar de laagste stand. Deze stand dient als referentiepunt (nulpunt).
- Houd als het frame de laagste stand heeft bereikt de toets een moment ingedrukt. Hiermee wordt de resetmodus uitgeschakeld.
- Nu kan het frame normaal worden bediend. Druk de toets OMHOOG of OMLAAG in en houd deze ingedrukt om het frame naar de gewenste hoogte te brengen. Het frame stopt als u de toets loslaat.

## Functions of the Memory Master (Optional)



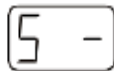
### OMHOOG / OMLAAG

Druk deze toetsen in en houd ze ingedrukt om de gewenste hoogte in te stellen. Als u de toets loslaat, stopt de hoogte-instelling.

### Een voorkeursoogte opslaan

Stel het frame op de gewenste hoogte in. Druk op SAVE.

Op het scherm verschijnt:



Druk onmiddellijk op één van de geheugentoetsen. Het weergegeven "-" wordt door de door u gekozen toets vervangen. Twee seconden later bevestigt de voeding de instelling met twee klikken.

### Geheugentoetsen

Druk deze toetsen in en houd ze ingedrukt om een voorkeursoogte in te stellen. Als u de toets loslaat, stopt de hoogte-instelling.

Als het frame de voorkeursoogte heeft bereikt, vertraagt de hoogte-instelling eerst en stopt dan.

### De weergegeven hoogte wijzigen

Deze functie verandert uitsluitend de weergegeven hoogte, niet de werkelijke hoogte. Druk eenmaal op SAVE. Druk zodra het scherm :



weergeeft op de toets OMLAAG en houd deze ingedrukt tot de weergegeven hoogte weer knipperend op het scherm verschijnt. U kunt nu de waarde wijzigen door op de toets OMHOOG of OMLAAG te drukken.

Druk om dit proces te voltooien eenvoudig op SAVE.

### Resetmodus

Als u de stekker voor de eerste keer in het stopcontact steekt, kan de hoogte-instelling uitsluitend in de resetmodus worden bediend. Zolang de resetmodus is ingeschakeld, kan het frame uitsluitend omlaag bewegen. Volg voor normaal gebruik van het frame de onderstaande stappen:

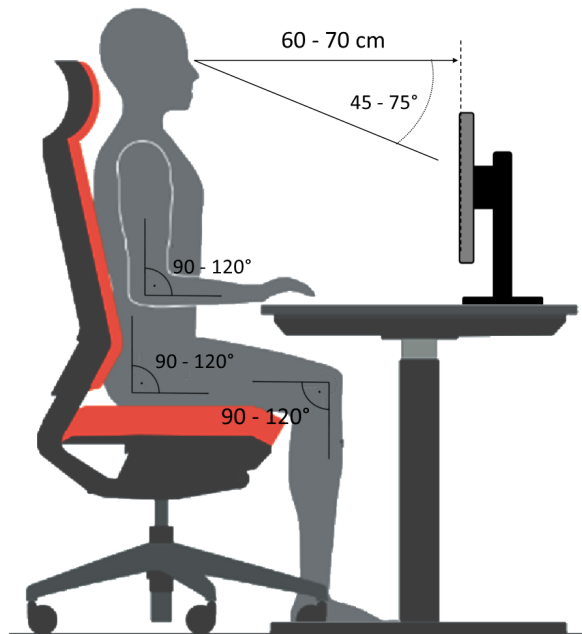
- Druk de toets OMLAAG in en houd deze ingedrukt. Het frame beweegt langzaam omlaag.
- Breng het frame naar de laagste stand. Deze stand dient als referentiepunt (nulpunt).
- Houd als het frame de laagste stand heeft bereikt de toets een moment ingedrukt. Hiermee wordt de resetmodus uitgeschakeld.
- Nu kan het frame normaal worden bediend. Druk de toets OMHOOG of OMLAAG in en houd eze ingedrukt om het frame naar de gewenste hoogte te brengen. Het frame stopt als u de toets oslaat.

### Het systeem opnieuw opstarten - de resetmodus inschakelen

Om de resetmodus te kunnen inschakelen, moet het frame doorgaans in de laagste stand worden gezet.

- Druk de toets OMLAAG gedurende ongeveer 10 seconden in.
- Volg verder de hierboven onder "Resetmodus" gegeven instructies.

## 4 Correcte zitpositie



### Correcte houding

Een onjuiste houding kan schade aan gewrichten, pezen en spierpijn veroorzaken. Om dit te voorkomen, moet de bureaustoel en het bureau goed worden afgesteld. In aanvulling op de volgende aanbevelingen, moet een oncomfortabele zithouding worden voorkomen. Indien een van de volgende aanbevelingen leidt naar een voor u oncomfortabele houding, pas de bureaustoel en het bureau dan aan naar uw behoeften.

### Bureaustoel

- De zithoogte moet worden aangepast, zodat uw knieën een hoek van 90-120° hebben, wanneer uw voeten plat op de grond staan.
- Voor een juiste zithouding leunt u met uw onderrug tegen de rugleuning. Indien mogelijk stelt u de zitdiepte in, om druk op uw onderbeen te voorkomen. Zit rechtop maar leun achterover in een ontspannen houding. Stel de lendensteun van de stoel, indien mogelijk, af op uw lengte.
- Stel de rugleuning in, zodat het enigszins uw romp naar voren drukt maar nog steeds voldoende ruimte laat om u vrij te bewegen.
- Indien mogelijk kunt u de hoogte van de armleuningen aanpassen zodat uw schouders in een ontspannen positie zijn wanneer zij op de armleuning steunen.

### Bureau

- Stel de hoogte van het bureau in nadat u de juiste zithouding heeft gevonden.
- Uw ellebogen moeten een hoek van 90-120° hebben wanneer uw armen rusten op het tafelblad.

### Apparaten op het bureaublad

- Invallend licht (daglicht of lampen) moet de monitor in een hoek van 90° benaderen.
- De hoogte van de monitor moet worden aangepast op een manier die het mogelijk maakt om enigszins naar beneden kijken waarbij de focus ligt het midden van het scherm.
- Houd een afstand van 60-70 cm van uw scherm. .
- Een vlak, smal toetsenbord helpt om uw polsen te ontspannen.
- **Let op de aanbevelingen in de handleiding van uw andere (ergonomische) apparatuur.**

## 5 Technische specificaties

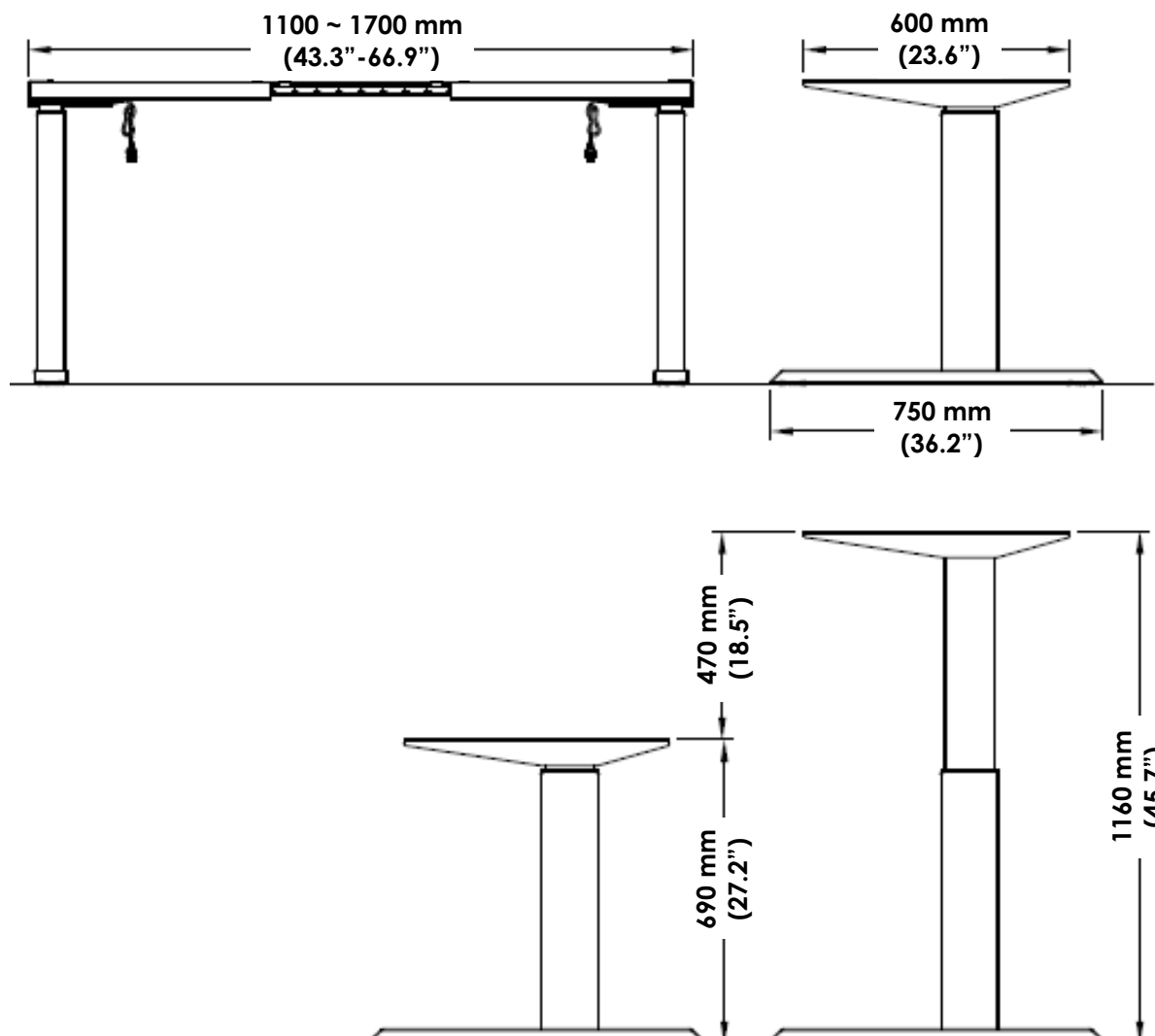
Handleiding versie	SLS-1282003-4EN-DE-NL
Datum	2020
Land van productie	Maleisië
Systeem	Eentraps
Materiaal	Staal, aluminium en plastic
Slag (maximaal) I. Steelforce Pro 170 SLS II. Steelforce Pro 370 / 570 (60x90) SLS	I. 470mm (18.5") II. 490mm (19.3")
Frame belasting (maximaal) I. SMART-e-2 II. ControlForce 2	I. 80 kg II. 120kg
Frame gewicht I. Steelforce Pro 170 SLS II. Steelforce Pro 370 SLS III. Steelforce Pro 570 (60x90) SLS	I. ± 32 kg II. ± 28.5 kg III. ± 28 kg
Snelheid	± 39 mm/s
Voeding I. SMART-e-2-actiforce-EU II. SMART-e-2-actiforce-US III. ControlForce 2	I. 220-240Vac, 50-60Hz, 2.5A II. 120Vac, 60Hz, 5A III. 100-120Vac, 60Hz, 5A max 220-240Vac, 50Hz, 2A max
Gebruikscyclus	10 % (2 minuut aan / 18 minuten uit)
Geluidsniveau	< 50 dB(A)
Omgevingstemperatuur bij gebruik	15 - 30°C
Omgevingstemperatuur bij opslag	10 - 50°C
Luchtvochtigheid bij gebruik	<85%
Luchtvochtigheid bij opslag	<50%
Maximale opslagtijd	-
Enkel voor gebruik binnenshuis !!!	

## 5 Technische specificaties

(\* Gemiddelde tolerantie =  $\pm 10$  mm)

### Steelforce Pro 170 SLS

(T-Voet en C-Voet)

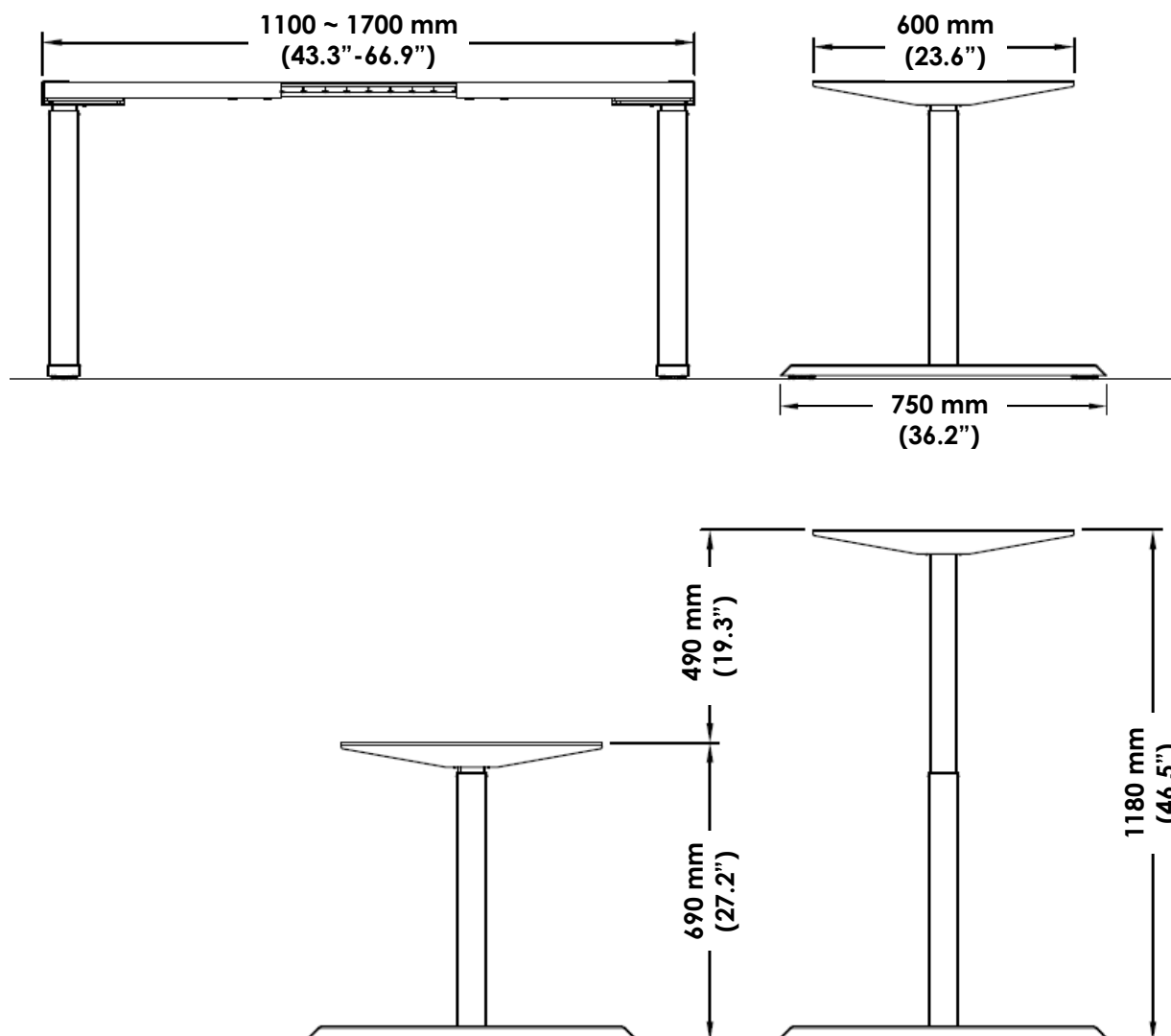


Minimale frame hoogte	690mm	(27.2")
Maximale frame hoogte	1160mm	(45.7")
Maximale slag	470mm	(18.5")
Framebreedte	1100-1700mm	(43.3"-66.9")
Framediepte	750mm	(36.2")
Minimum werkbladdiepte	600mm	(23.6")
Frame belasting (maximaal)	80 / 120 kg	

(\* Gemiddelde tolerantie =  $\pm 10$  mm)

## **Steelforce Pro 370 / 570 (60x90) SLS**

(T-Voet en C-Voet)



Minimale frame hoogte	690mm	(27.2")
Maximale frame hoogte	1180mm	(46.5")
Maximale slag	490mm	(19.3")
Framebreedte	1100-1700mm	(43.3"-66.9")
Framediepte	750mm	(36.2")
Minimum werkbladdiepte	600mm	(23.6")
Frame belasting (maximaal)	80 / 120 kg	

## 6 Bediening en Gebruiksaanwijzingen



Laat kinderen niet zonder toezicht het frame gebruiken. Kinderen zijn niet in staat de gevaren van het frame in te schatten. Ze lopen hierdoor groot risico op ernstig letsel, mogelijk zelfs met fatale gevolgen.

Zorg er in ieder geval voor dat het frame niet verder versteld kan worden indien het toch door kinderen wordt gebruikt. Houd de maximale inschakelduur van het frame aan.

Zorg voor voldoende ruimte om botsingen te voorkomen indien zich voorwerpen, zoals computers of randapparatuur, op het werkblad bevinden.

### 6.1 Gebruiksaanwijzingen



Verlaat de onmiddellijke omgeving van het frame wanneer dit onbedoeld gaat bewegen. Neem het frame dan niet in gebruik. Laat het frame door een gespecialiseerd bedrijf repareren. Neem het frame pas weer in gebruik nadat het gerepareerd is.

Gebruik het frame niet meer wanneer er zich iets ongebruikelijks bij het frame voordoet (vreemde geluiden, rook etc.). Laat het frame door een gespecialiseerd bedrijf repareren. Neem het frame pas weer in gebruik nadat het op deskundige wijze gerepareerd is.

Gebruik het frame niet meer wanneer er zich veiligheidsrisico's voordoen

## 7 Probleemoplossingen

Probleem	Mogelijke oorzaak	Oplossing
Het frame beweegt niet.	Kabels of aansluitingen beschadigd.	Controleer alle aansluitingen. Stroomvoorziening in orde?
Het frame beweegt niet.	Als de aansluitingen gecontroleerd zijn, is de handbediening mogelijk defect.	Vervang de handbediening.
Het frame beweegt niet.	Fout in de transformator.	Systeem opnieuw opstarten.

**Wanneer het probleem niet hierboven wordt vermeld, dan dient u contact op te nemen met de Klantenservice.**



## 8 Klantenservice

Houd de gegevens van het frame bij de hand wanneer u contact opneemt met uw dealer.

Dealer:

## 9 Fabrikant

### **Actiforce International B.V.**

Het Steenland 20  
3751 LA Bunschoten-Spakenburg  
The Netherlands

+31 (0)33 4600120  
[www.actiforce.com](http://www.actiforce.com)  
[info.holland@actiforce.com](mailto:info.holland@actiforce.com)

## 10 Recycling

### 10.1 Buitenbedrijfstelling van het frame

- Haal de stekker uit het stopcontact.

### 10.2 Demontage van het frame

- Houd bij demontage de omgekeerde volgorde van de handleiding aan of neem contact op met de Klantenservice (zie hoofdstuk 8).

### 10.3 Recycling

- Scheid de onderdelen naar materiaalsoort. Houd de nationale wetgeving in acht!

# 11 EU-Verklaring van overeenstemming in bijlage II A

Nederlands

Hierbij verklaren wij dat het artikel dat hieronder wordt beschreven, voldoet aan de relevante EU-richtlijnen (in het bijzonder de hieronder vermelde) en dat de serie dienovereenkomstig is vervaardigd.

<b>Artikelomschrijving:</b>	<b>Steelforce Pro 170 SLS, Steelforce Pro 170 C-Voet SLS, Steelforce Pro 370 SLS, Steelforce Pro 370 C-Voet SLS, Steelforce Pro 570 (60x90) SLS, Steelforce Pro 570 (60x90) C-Voet SLS</b>														
<b>Artikelnummer:</b>	<b>SLS12200*00***, SLS12802*00***, SLS28000*00***, SLS28S02*00***, SLS46300*00***, SLS46T02*00***</b> <i>Het eerste symbool <sup>***</sup> kan zijn 0 (Touch-Basic), 1 (Touch-FX), 4 (Pro-Basic), 5 (Eco-Basic Slide), 8 (Pro-Basic RJ11), 9 (Eco-Basic Slide RJ11) of A (actiSwitch Pro Memory).</i> <i>Het tweede symbool <sup>***</sup> kan zijn 2 (Smart-2-EU), 3 (Smart-2-EU) of 7 (ControlForce2).</i> <i>Het derde symbool <sup>***</sup> kann zijn 11, 18, 29, 30, 78, 82, 83, 90, 94 and etc.</i> <i>Het vierde symbool <sup>***</sup> kann zijn EU, NL, DE, DK, US, GB, WE, MY, CH and etc.</i>														
<b>Modelreeks:</b>	<b>Spindle Lift System</b>														
<b>Technische specificaties:</b>	<table> <tr> <td>Breedte</td> <td>: 1100 mm - 1700 mm</td> </tr> <tr> <td>Hoogte <b>(170 SLS)</b></td> <td>: 690 mm - 1160 mm</td> </tr> <tr> <td>Hoogte <b>(370/570 (60x90) SLS)</b></td> <td>: 690 mm - 1180 mm</td> </tr> <tr> <td>Diepte</td> <td>: 750 mm</td> </tr> <tr> <td>Systeem</td> <td>: 1 traps, Elektromotorisch</td> </tr> <tr> <td>Materiaal</td> <td>: Staal, plastic en aluminium</td> </tr> <tr> <td>Max. framebelasting</td> <td>: 80.0 / 120.0 kg</td> </tr> </table>	Breedte	: 1100 mm - 1700 mm	Hoogte <b>(170 SLS)</b>	: 690 mm - 1160 mm	Hoogte <b>(370/570 (60x90) SLS)</b>	: 690 mm - 1180 mm	Diepte	: 750 mm	Systeem	: 1 traps, Elektromotorisch	Materiaal	: Staal, plastic en aluminium	Max. framebelasting	: 80.0 / 120.0 kg
Breedte	: 1100 mm - 1700 mm														
Hoogte <b>(170 SLS)</b>	: 690 mm - 1160 mm														
Hoogte <b>(370/570 (60x90) SLS)</b>	: 690 mm - 1180 mm														
Diepte	: 750 mm														
Systeem	: 1 traps, Elektromotorisch														
Materiaal	: Staal, plastic en aluminium														
Max. framebelasting	: 80.0 / 120.0 kg														
<b>Geldende EU-richtlijnen :</b>	<b>Elektromagnetische compatibiliteit (2014/30 / EC), Laagspanningsrichtlijn (2006/95 / EC, vanaf 20.04.2016 is dit nummer: 2014/35 / EU)</b>														

### Geharmoniseerde EN-technische norm en basisnorm

#### 170 / 370 SLS met Smart

IEC 60335-1	47 CFR FCC Part 15 Subpart B (2016)	ICES-003 Issue 6 January 2016
UL962	AS/NZS 60335.1	

#### 570 (60x90) SLS met Smart

UL962	47 CFR FCC Part 15 Subpart B (2016)	ICES-003 Issue 6 January 2016
IEC60335-1		

#### 170 / 370 / 570 (60x90) SLS met CF2


UL962	47 CFR FCC Part 15 Subpart B (2016)	ICES-003 Issue 6 January 2016
-------	-------------------------------------	-------------------------------

### Het artikel voldoet aan de volgende normen die vereist zijn om het CE-merk te verkrijgen:

#### 170 SLS met Smart

EN 61000-3-2	EN 61000-3-3	EN 55014-1	EN 55014-2	EN 55032	EN 55024
EN 60335-1	EN 62233				

#### 370 SLS met Smart

	EN 61000-3-2	EN 61000-3-3	EN 55014-1	EN 55014-2	EN 55032
	EN 55024	EN 60335-1	EN 62233		

#### 570 (60x90) SLS met Smart

#### 170 / 370 / 570 (60x90) SLS met CF2

EN 61000-3-2	EN 61000-3-3	EN 55014-1	EN 55014-2	EN 60335-1	EN 62233
--------------	--------------	------------	------------	------------	----------

<b>Producent</b>	<b>Actiforce International BV Het Steenland 20 3751 LA Bunschoten-Spakenburg Nederlande</b>	<b>Importeur / distributeur</b>
------------------	---	---------------------------------



